

## SUMMARY

### # Wires

Low voltage 8



*Image is for illustrative purpose only*

Series	2M
Termination type	Female print PCB
IP rating	68 mated (mating interface)
AWG wire size	24.00 - 22.00
Cable Ø	0.00 - 0.00 mm
Status	Active

### Download

- [Request a quote](#)
- [PCB Eagle Pattern](#)
- [PCB Altium Pattern](#)
- [PCB KiCad Pattern](#)

## TECHNICAL DETAILS

### Mechanics

Shell Style/Model	HE*: Fixed receptacle, nut fixing for printed circuit, watertight
Keying	3 keys (beta=165, gamma=30, plug: male contacts, receptacle: female contacts)
Housing Material	Aluminium (nickel plated [SAE AMS QQ N 290], anthracite color) shell and nut, other pieces bronze/brass
Variant	P : Watertight unmated (connector to device)
Weight	9.35 g

### Performance

Configuration	2M.514 : 8 High Speed, Low Voltage (CAT 6A)
Insulator	L: PEEK
Rated Current	

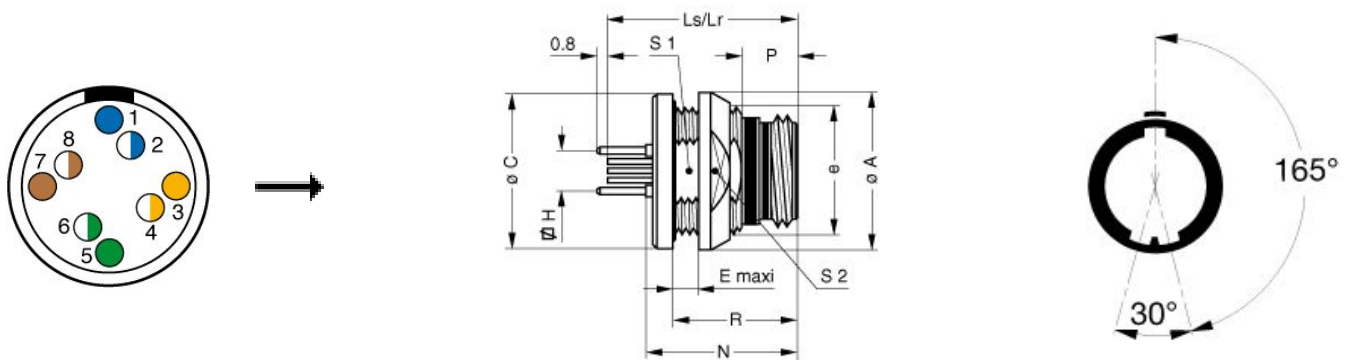
### Others

Temp (min / max): -20°C / +80°C  
Humidity (max): 21 days at 95%

*LEMO products and services are provided "as is". LEMO makes no warranties or representations with regard to LEMO product & services or use of them, express, implied or statutory, including for accuracy, completeness, or security. The user is fully responsible for his products and applications using LEMO components.*

Gunfire vibration: 25 Hz - 2000 Hz, 3 axis (Apache helicopter)  
 Vibration-Sine: 30 g, 3 axes, 12 hr [10 Hz - 2000 Hz]  
 Vibration-Random: 37.8 g rms - 3 axes, 4 hr amb [50 Hz - 2000 Hz]  
 Shock Resistance: 300 g [ 3 ms]  
 Lighting strike EIA 364-75: 10K amps - 6 times  
 EMI Shielding EIA 364-66A: >= 80 dB (1 GHz), >=70 dB (3 GHz), >= 58 dB (6 GHz), >= 40 dB (10 GHz)  
 Salt Spray Corrosion: max. 48 hr

## DRAWINGS



### Dimensions

	A	C	E	H	Lr	Ls	N	P	R	S1	S2	e
mm.	21	20.8	5	8.89	21	20.8	16.8	5.3	13.8	15.5	18	M17x1.00
in.	0,83	0,82	0,20	0,35	0,83	0,82	0,66	0,21	0,54	0,61	0,71	

## RECOMMENDED BY LEMO

### Tools

Spanner wrench: [Socket for torque wrench DCM.65.180.AZ](#)

LEMO products and services are provided "as is". LEMO makes no warranties or representations with regard to LEMO product & services or use of them, express, implied or statutory, including for accuracy, completeness, or security. The user is fully responsible for his products and applications using LEMO components.