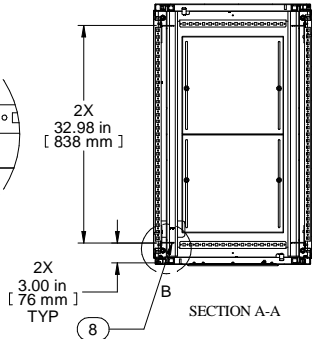
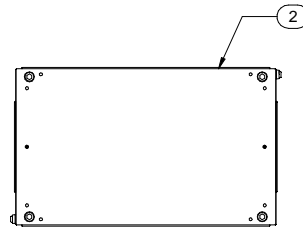


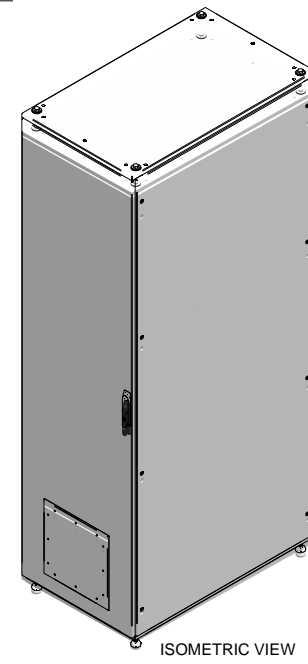
DETAIL B



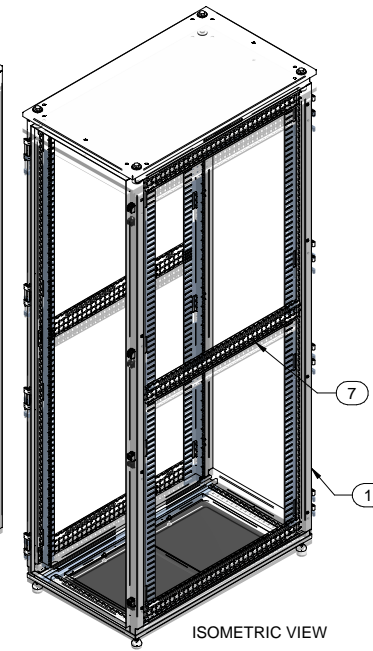
SECTION A-A



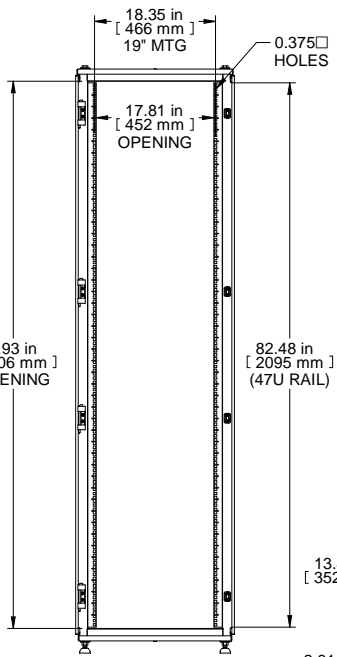
TOP VIEW



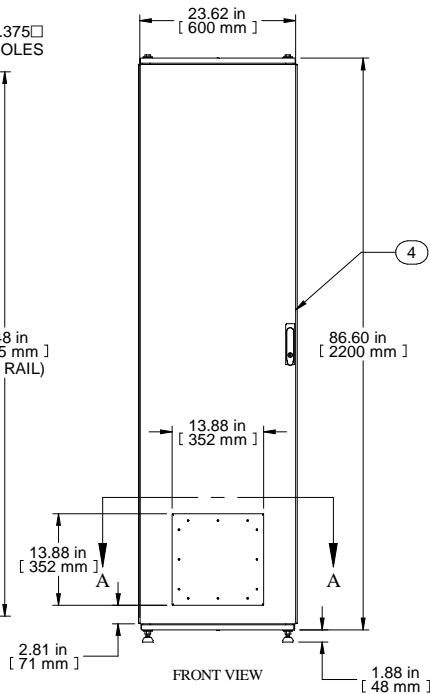
ISOMETRIC VIEW



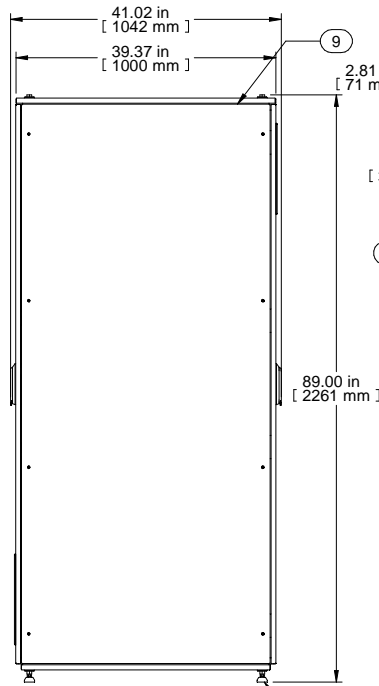
ISOMETRIC VIEW
DOORS AND SIDE
PANELS REMOVED



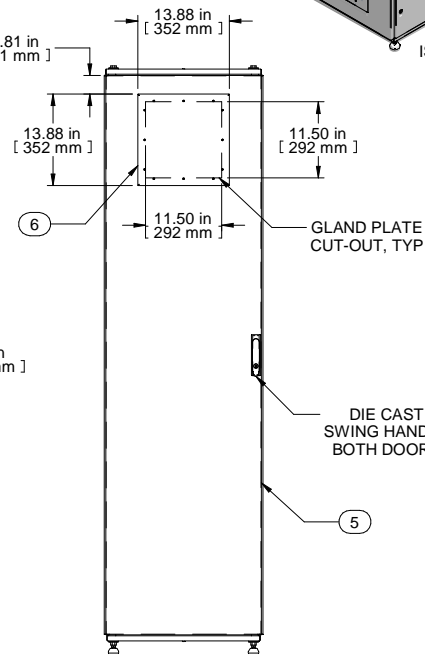
FRONT VIEW
DOORS REMOVED



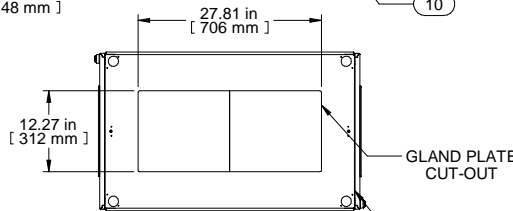
FRONT VIEW



RIGHT SIDE VIEW



REAR VIEW



BOTTOM VIEW

GLAND PLATE
CUT-OUT, TYP

DIE CAST
SWING HANDLE
BOTH DOORS

Item Number	Title	Quantity
1	HME - FRAME WELDMENT 2200 X 600 X 1000	1
2	HME TOP PANEL ASSEMBLY	1
3	HME BOTTOM PANEL ASSEMBLY - 600MM X 1000MM	1
4	HDME - SOLID DOOR ASS'Y 2200MM X 600MM	1
5	HDME - SOLID DOOR ASS'Y 2200MM X 600MM	1
6	GLAND PLATE 13.88 x 13.88	2
7	DEPTH GRID STRAPS (PAIR)	3
8	47U PANEL RAILS FOR 19\"/>	
9	HME-SIDE PANEL (PAIR) 2200 X 1000	1
10	HME - LEVELLING FEET (SET)	1

PART NUMBERS

HDME22610 PAINTED BLACK TEXTURED

NOTES

See Hammond Website for Additional Accessories

Français

Pour tous les détails sur nos produits, svp veuillez consulter notre site www.hammondmfg.com.
Data subject to change without notice. Isometric drawing not to scale.
Les données sont sujettes à changement sans préavis.

**HAMMOND
MANUFACTURING**
www.hammondmfg.com

PART NO. HDME22610