

The ABLIC Inc. HDL6M06522BN is low charge injection 32-channel high-voltage analog switch IC operated only by a single 5V for ultrasound imaging applications.

The HDL6M06522BN consists of single-pole, single-throw (SPST) analog switches controlled by Serial Digital Interface (SDI). The HDL6M06522BN does not require any high-voltage power supply and has a unique pin-out for easy PCB traces. Two different packages are available.

Functions

- 32-channel high-voltage SPST analog switch with active ground clamp

Features

- 0V to ±100V analog signal voltage range (10kHz to 20MHz signal frequency range)
- 2A peak analog signal current per channel
- 8Ω main switch on-resistance
- 40kΩ bleed resistor on probe side
- 32-bit shift registers
- Low on/off-capacitance
- 10pC charge injection to 1000pF
- -52dB off-isolation at 5MHz (load-independent)
- -60dB switch crosstalk
- 35Ω ground clamp switch on probe side alternately turned on/off with main switch
- DS_ASW to disable 35Ω ground clamp switch
- 1.8V to 5V CMOS logic interface
- Single +5V power supply (NO HIGH-VOLTAGE POWER SUPPLY required)
- Low power dissipation (static 5mW)
- Embedded thermal protection flag indicator
- Unique pin configuration for easy PCB traces
- RoHS compliant 84-lead 10x10mm QFN

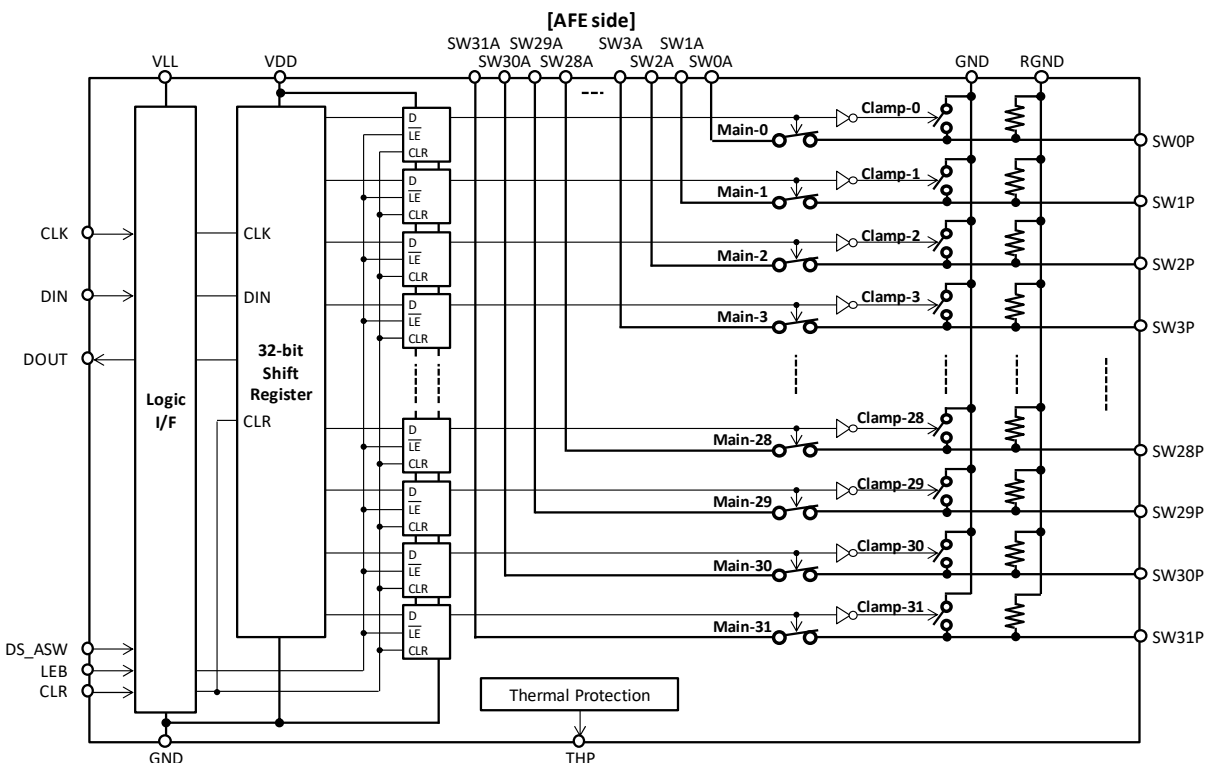


Fig.1 Block Diagram

1. Absolute Maximum Ratings

T_A=25°C unless otherwise noted.

Table 1 Absolute Maximum Ratings

No.	Items	Symbol	Value	Units	Condition
1	Positive logic supply voltage	V _{LL}	-0.4 to +7	V	
2	Positive supply voltage	V _{DD}	-0.4 to +7	V	
3	Logic input voltage	DIN, LEB, CLK, CLR, DS_ASW	-0.4 to +7	V	
4	Logic output voltage	DOUT, THP	-0.4 to +7	V	
5	Analog signal range	V _{SIG}	-105 to +105	V	
6	Peak analog signal current per channel	I _{SW}	2.5	A	
7	Operating junction temperature	T _{Jop}	-20 to +150	°C	
8	Storage temperature	T _{STG}	-55 to +150	°C	
9	Maximum power dissipation	P _{Dmax}	4	W	

NOTE: * Stresses beyond the absolute maximum ratings may cause permanent damage to the product.

2. Operating Supply Voltages, Logic Inputs, and Application Circuits

2.1 Operating Supply Voltages, Temperature, and Logic Inputs

Table 2 Operating Supply Voltages and Logic Inputs

No	Items	Symbol	Min	Typ	Max	Units	Condition
1	Logic supply voltage	V _{LL}	1.7	1.8 to 5	V _{DD}	V	
2	Positive supply voltage	V _{DD}	4.75	5	5.25	V	
3	IC substrate voltage *1	V _{SUB}	-	0	-	V	
4	Operating free-air temperature	T _A	0	-	75	°C	
5	High-level logic input voltage	V _{IH}	0.8V _{LL}	-	V _{LL}	V	
6	Low-level logic input voltage	V _{IL}	0	-	0.2V _{LL}	V	
7	Logic input high current *2	I _{IH}	-10	-	10	μA	DIN, LEB, CLK, CLR, DS_ASW
8	Logic input low current	I _{IL}	-10	-	10	μA	
9	Logic input capacitance	C _{IN}	-	2	-	pF	
10	Set up time before LEB rises	t _{SD}	25	-	-	ns	
11	Time width of LEB	t _{wLEB}	12	-	-	ns	
12	Clock delay time to data out	t _{DO}	7	10	-	ns	
13	Time width of CLR	t _{OLR}	55	-	-	ns	
14	Clock frequency	f _{CLK}	-	-	20	MHz	
15	Clock rise and fall times	t _R , t _F	-	-	50	ns	
16	Setup time data to clock	t _{SU}	7	-	-	ns	
17	Hold time data from clock	t _{HLD}	7	-	-	ns	
18	Time width of DS_ASW	t _{wDS_ASW}	10	-	-	μs	

NOTE: *1) Thermal pad on the bottom of the package must be soldered to the ground.

*2) DS_ASW has 100μA leakage at V_{LL}=5V due to 50kΩ internal pull-down resistor.

2.2 Power Supply Sequencing

No power supply sequencing is required even if V_{LL} is different from V_{DD}. Please apply the V_{DD} voltage to the V_{LL} when operating with a single 5V.

3. Electrical Characteristics

DC Characteristics

Table 3 DC Characteristics

$V_{LL}=3.3V$, $V_{DD}=5V$, $LEB=0$, $DS_ASW=0/1$, $T_A=25^{\circ}C$, unless otherwise specified.

No.	Items	Symbol	Spec			Units	Conditions
			Min	Typ	Max		
1	Analog signal range	V_{SIG}	-100	-	+100	V	
2	V_{LL} quiescent current	I_{LLQ}	-	0.2	-	μA	Quiescent current-1
3	V_{DD} quiescent current	I_{DDQ}	-	1	-	mA	All main switches off
4	V_{LL} quiescent current	I_{LLQ}	-	0.2	-	μA	Quiescent current-2
5	V_{DD} quiescent current	I_{DDQ}	-	1	-	mA	All main switches on
6	V_{LL} dynamic current	I_{LL}	-	5	15	μA	Dynamic current
7	V_{DD} dynamic current	I_{DD}	-	2.8	3.8	mA	All channels switching simultaneously at $f_{sw}=50kHz$
8	DC offset main switch off	V_{OS}	-	0	-	mV	$DS_ASW=0$
				0.8	10	mV	$DS_ASW=1$
9	Small signal main switch on-resistance	R_{ONS}	-	8	10	Ω	$V_{SIG}=0.1V_{pp}$ to $5V_{pp}$ @5MHz, $R_S=10\Omega$
10	Small signal main switch on-resistance matching	ΔR_{ONS}	-	2	5	%	$V_{SIG}=0V$, $I_{SIG}=5mA$
11	Large signal main switch on-resistance	R_{ONL}	-	8	-	Ω	$V_{SIG}=20V_{pp}$ @5MHz, $R_S=10\Omega$
12	GND clamp on-resistance	R_{ONCL}	-	35	-	Ω	Main switches off, probe side
13	Shunt resistance	R_{BLD}	30	40	50	k Ω	Probe side
14	Switch output peak current	I_{SW}	-	2	-	A	100ns pulse, 0.1% duty cycle

Thermal Protection

Table 4 Thermal Protection Characteristics

$V_{LL}=3.3V$, $V_{DD}=5V$, $LEB=0$, $DS_ASW=0/1$, $T_A=25^{\circ}C$, unless otherwise specified.

No.	Items	Symbol	Spec			Units	Conditions
			Min	Typ	Max		
1	THP pull-up voltage	V_{PUTHP}	-	-	5.25	V	Open drain
2	THP output current	I_{THP}	-	1.0	-	mA	-
3	THP output low voltage	V_{OLTHP}	-	-	0.5	V	THP active, $V_{LL}=3.3V$, $I_{THP}=1mA$
4	THP temperature threshold	T_{THP}	90	110	130	$^{\circ}C$	
5	THP reset hysteresis	T_{HYSTHP}	-	10	-	$^{\circ}C$	

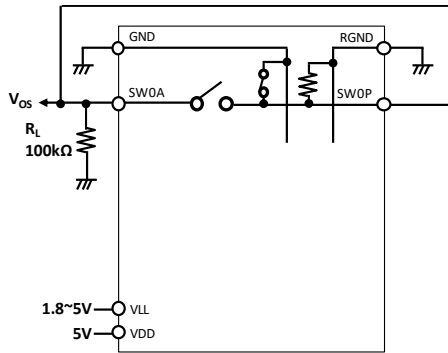
AC Characteristics

Table 5 AC Characteristics

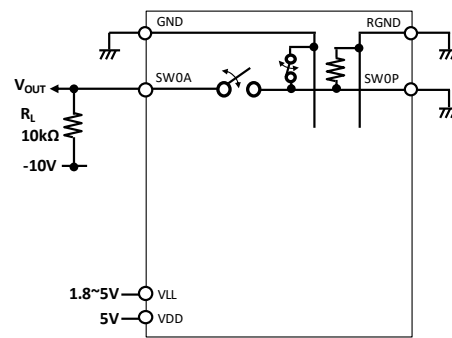
V_{LL}=3.3V, V_{DD}=5V, LEB=0, DS_ASW=0/1, T_A=25°C, unless otherwise specified.

No.	Items	Symbol	Spec			Units	Conditions
			Min	Typ	Max		
1	Turn-on time	t _{ON}	-	2	5	μs	
		t _{ON_ASW}	-	2	5	μs	
2	Turn-off time	t _{OFF}	-	2	5	μs	
		t _{OFF_ASW}	-	2	5	μs	
3	Output switching frequency	f _{SW}	-	-	50	kHz	Duty cycle=50%
4	Small signal frequency	f _{SIG}	0.01	-	20	MHz	C _L =220pF
5	Off isolation	V _{ISO}	-	-53	-	dB	f _{SIG} =5MHz, R _L /C _L =1kΩ//15pF, DS_ASW=0
			-	-57	-	dB	f _{SIG} =5MHz, R _L =50Ω, DS_ASW=0
			-	-25	-	dB	f _{SIG} =5MHz, R _L /C _L =1kΩ//15pF, DS_ASW=1
			-	-49	-	dB	f _{SIG} =5MHz, R _L =50Ω, DS_ASW=1
6	Crosstalk	V _{CT}	-	-60	-	dB	f _{SIG} =5MHz, R _L =50Ω
7	Off capacitance SW_P to GND	C _{OFF(SWP)}	-	10	-	pF	V _{SIG} =0V, f _{SIG} =1MHz, DS_ASW=0
			-	12	-	pF	V _{SIG} =0V, f _{SIG} =1MHz, DS_ASW=1
8	Off capacitance SW_A to GND	C _{OFF(SWA)}	-	30	-	pF	V _{SIG} =0V, f _{SIG} =1MHz, DS_ASW=0
			-	10	-	pF	V _{SIG} =0V, f _{SIG} =1MHz, DS_ASW=1
9	On capacitance SW_P to GND	C _{ON(SWP)}	-	15	-	pF	V _{SIG} =0V, f _{SIG} =1MHz, DS_ASW=0
			-	15	-	pF	V _{SIG} =0V, f _{SIG} =1MHz, DS_ASW=1
10	On capacitance SW_A to GND	C _{ON(SWA)}	-	15	-	pF	V _{SIG} =0V, f _{SIG} =1MHz, DS_ASW=0
			-	15	-	pF	V _{SIG} =0V, f _{SIG} =1MHz, DS_ASW=1
11	Output spike voltage (SW_P)	V _{SPK_ON (SWP)}	-15	60	90	mV	50Ω load @switch on, DS_ASW=0
			-15	80	120	mV	50Ω load @switch on, DS_ASW=1
		V _{SPK_OFF (SWP)}	-15	100	150	mV	50Ω load @switch off, DS_ASW=0
			-15	100	150	mV	50Ω load @switch off, DS_ASW=1
12	Output spike voltage (SW_A)	V _{SPK_ON (SWA)}	-15	60	90	mV	50Ω load @switch on, DS_ASW=0
			-15	80	120	mV	50Ω load @switch on, DS_ASW=1
		V _{SPK_OFF (SWA)}	-15	100	150	mV	50Ω load @switch off, DS_ASW=0
			-15	100	150	mV	50Ω load @switch off, DS_ASW=1
13	Charge injection	QC	-	10	-	pC	

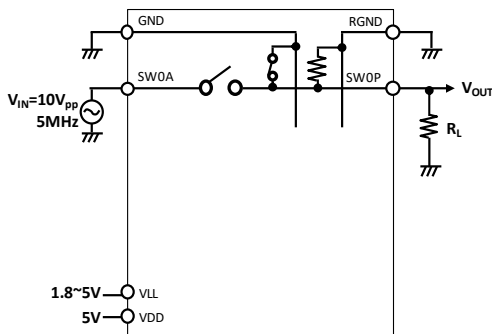
4. Test Circuits



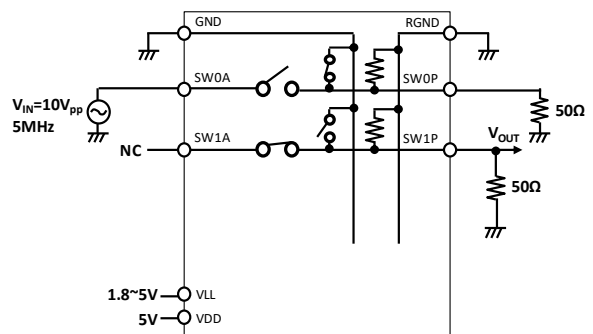
DC Offset OFF



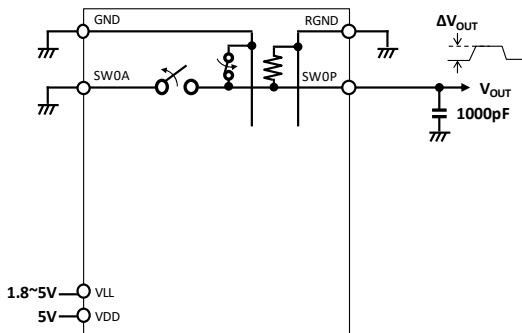
t_{ON}/t_{OFF} test circuit



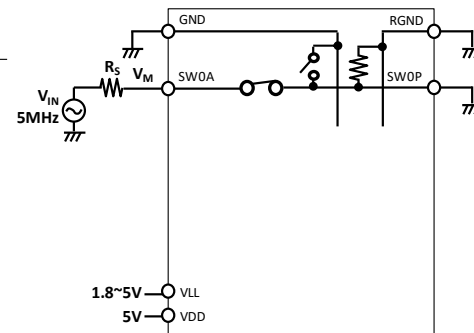
$V_{ISO}=20\text{Log}(V_{OUT}/V_{IN})$
Off isolation



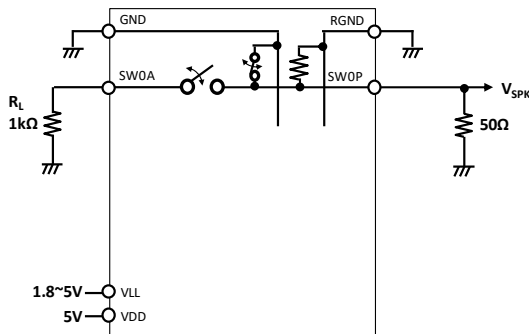
$V_{CT}=20\text{Log}(V_{OUT}/V_{IN})$
Crosstalk



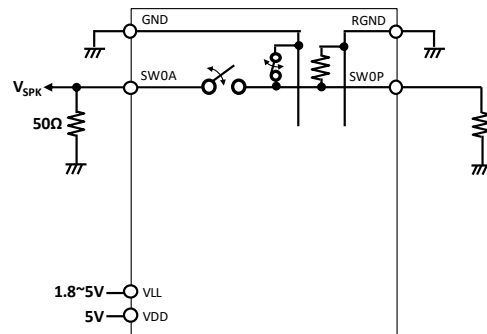
$Q=1000\text{pF}\cdot\Delta V_{OUT}$
Charge Injection



$R_{ON}=R_S\cdot V_M/(V_{IN}-V_M)$
On resistance test circuit



Output spike voltage SW_P



Output spike voltage SW_A

Fig.2 Test Circuits

5. Truth Table

Table 6 Truth Table

Logic Inputs										Analog Switch State													
LEB	CLR	DS_ASW	DIN							SW0		SW1		...		SW15		SW16		...		SW31	
			D0	D1	...	D15	D16	...	D31	Main SW	Clamp SW	Main SW	Clamp SW	...	Main SW	Clamp SW	Main SW	Clamp SW	...	Main SW	Clamp SW		
L	L	L	L	-		-	-		-	OFF	ON	-	-		-	-	-	-		-	-		
L	L	L	H	-		-	-		-	ON	OFF	-	-		-	-	-	-		-	-		
L	L	L	-	L		-	-		-	-	-	OFF	ON		-	-	-	-		-	-		
L	L	L	-	H		-	-		-	-	-	ON	OFF		-	-	-	-		-	-		
L	L	L	-	-		-	-		-	-	-	-	-		-	-	-	-		-	-		
L	L	L	-	-		-	-		-	-	-	-	-		-	-	-	-		-	-		
L	L	L	-	-		L	-		-	-	-	-	-		OFF	ON	-	-		-	-		
L	L	L	-	-		H	-		-	-	-	-	-		ON	OFF	-	-		-	-		
L	L	L	-	-		-	L		-	-	-	-	-		-	-	OFF	ON		-	-		
L	L	L	-	-		-	H		-	-	-	-	-		-	-	ON	OFF		-	-		
L	L	L	-	-		-	-		-	-	-	-	-		-	-	-	-		-	-		
L	L	L	-	-		-	-		-	-	-	-	-		-	-	-	-		-	-		
L	L	L	-	-		-	-		L	-	-	-	-		-	-	-	-		OFF	ON		
L	L	L	-	-		-	-		H	-	-	-	-		-	-	-	-		ON	OFF		
L	L	H	L	-		-	-		-	OFF	OFF	-	-		-	-	-	-		-	-		
L	L	H	H	-		-	-		-	ON	OFF	-	-		-	-	-	-		-	-		
L	L	H	-	L		-	-		-	-	-	OFF	OFF		-	-	-	-		-	-		
L	L	H	-	H		-	-		-	-	-	ON	OFF		-	-	-	-		-	-		
L	L	H	-	-		-	-		-	-	-	-	-		-	-	-	-		-	-		
L	L	H	-	-		-	-		-	-	-	-	-		-	-	-	-		-	-		
L	L	H	-	-		L	-		-	-	-	-	-		OFF	OFF	-	-		-	-		
L	L	H	-	-		H	-		-	-	-	-	-		ON	OFF	-	-		-	-		
L	L	H	-	-		-	L		-	-	-	-	-		-	-	OFF	OFF		-	-		
L	L	H	-	-		-	H		-	-	-	-	-		-	-	ON	OFF		-	-		
L	L	H	-	-		-	-		-	-	-	-	-		-	-	-	-		-	-		
L	L	H	-	-		-	-		L	-	-	-	-		-	-	-	-		OFF	OFF		
L	L	H	-	-		-	-		H	-	-	-	-		-	-	-	-		ON	OFF		
H	L	X	X	X	X	X	X	X	X	Hold Previous State													
X	H	X	X	X	X	X	X	X	X	ALL "Main SWs" OFF													

6. Logic Timing

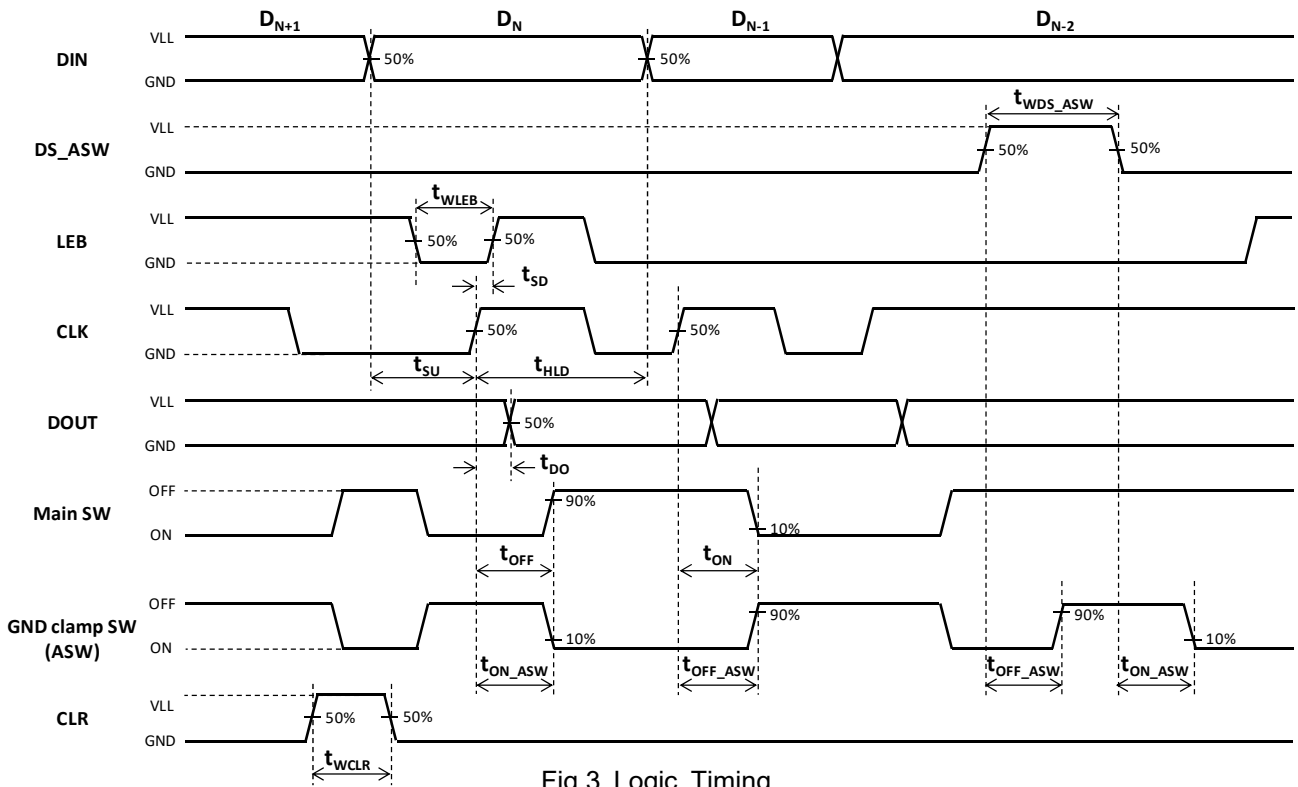


Fig.3 Logic Timing

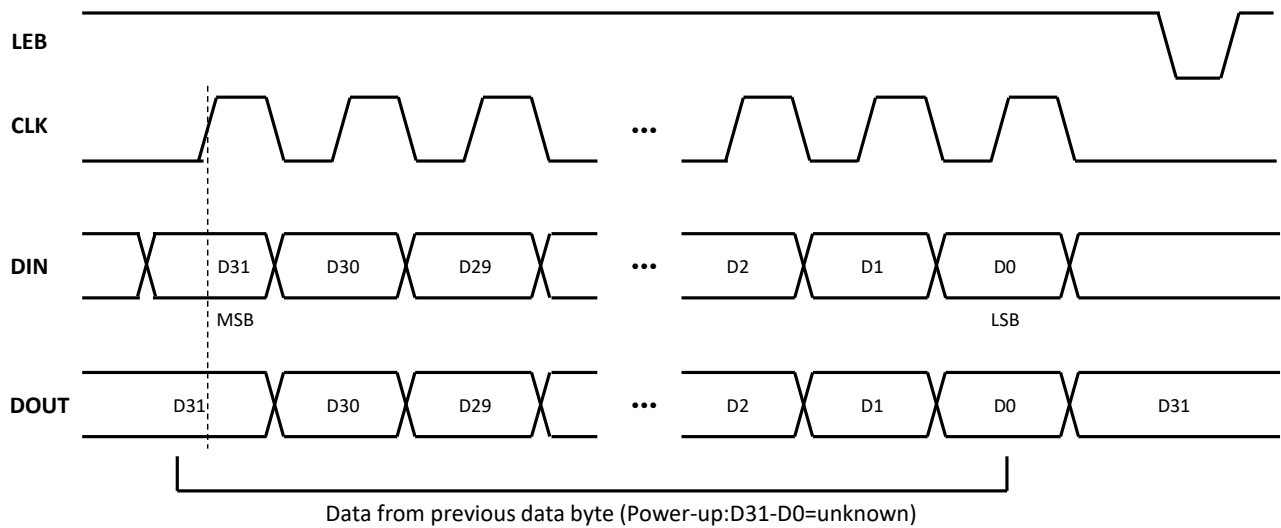


Fig.4 Latch Enable Interface Timing

7. Pin Configuration

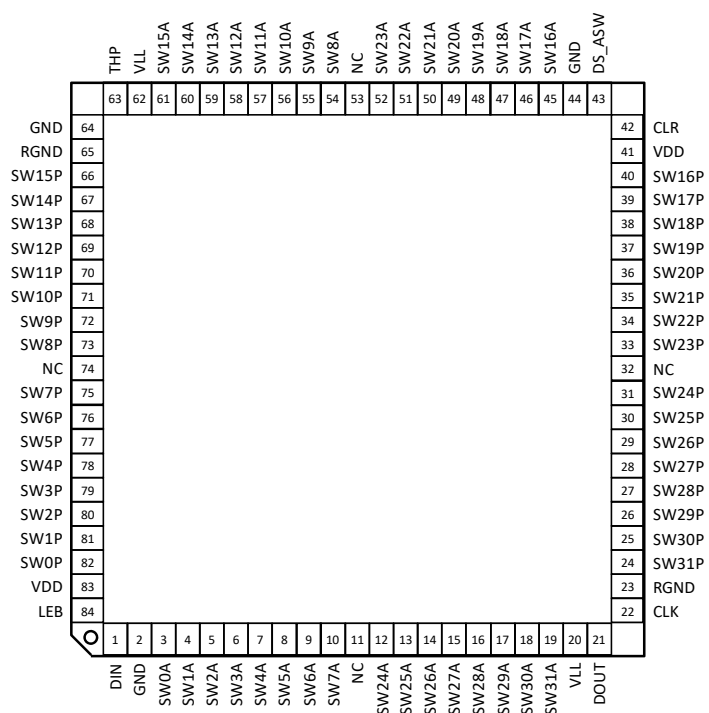


Fig.5 Pin Configuration

Table 7 Pin Configuration

Pin#	Pin Name	I/O	Function
1	DIN	I	Serial-Data input
2	GND	-	Drive power ground (0V)
3	SW0A	I/O	Analog switch terminal 0 (AFE side)
4	SW1A	I/O	Analog switch terminal 1 (AFE side)
5	SW2A	I/O	Analog switch terminal 2 (AFE side)
6	SW3A	I/O	Analog switch terminal 3 (AFE side)
7	SW4A	I/O	Analog switch terminal 4 (AFE side)
8	SW5A	I/O	Analog switch terminal 5 (AFE side)
9	SW6A	I/O	Analog switch terminal 6 (AFE side)
10	SW7A	I/O	Analog switch terminal 7 (AFE side)
11	NC	-	No connection (Not internally connected)
12	SW24A	I/O	Analog switch terminal 24 (AFE side)
13	SW25A	I/O	Analog switch terminal 25 (AFE side)
14	SW26A	I/O	Analog switch terminal 26 (AFE side)
15	SW27A	I/O	Analog switch terminal 27 (AFE side)
16	SW28A	I/O	Analog switch terminal 28 (AFE side)
17	SW29A	I/O	Analog switch terminal 29 (AFE side)
18	SW30A	I/O	Analog switch terminal 30 (AFE side)
19	SW31A	I/O	Analog switch terminal 31 (AFE side)
20	VLL	-	Positive voltage supply of low voltage interface (+1.8V~+5V)
21	DOUT	O	Serial-Data output
22	CLK	I	Serial-Clock input
23	RGND	-	Bleed resistor ground (0V)
24	SW31P	I/O	Analog switch terminal 31 (Probe side)
25	SW30P	I/O	Analog switch terminal 30 (Probe side)
26	SW29P	I/O	Analog switch terminal 29 (Probe side)
27	SW28P	I/O	Analog switch terminal 28 (Probe side)
28	SW27P	I/O	Analog switch terminal 27 (Probe side)
29	SW26P	I/O	Analog switch terminal 26 (Probe side)
30	SW25P	I/O	Analog switch terminal 25 (Probe side)
31	SW24P	I/O	Analog switch terminal 24 (Probe side)
32	NC	-	No connection (Not internally connected)
33	SW23P	I/O	Analog switch terminal 23 (Probe side)
34	SW22P	I/O	Analog switch terminal 22 (Probe side)
35	SW21P	I/O	Analog switch terminal 21 (Probe side)
36	SW20P	I/O	Analog switch terminal 20 (Probe side)
37	SW19P	I/O	Analog switch terminal 19 (Probe side)
38	SW18P	I/O	Analog switch terminal 18 (Probe side)
39	SW17P	I/O	Analog switch terminal 17 (Probe side)
40	SW16P	I/O	Analog switch terminal 16 (Probe side)
41	VDD	-	Positive low voltage power supply (+5V)
42	CLR	I	Shift register and latch clear input

Table 7 Pin Configuration (cont.)

Pin#	Pin Name	I/O	Function
43	DS_ASW	I	GND clamp control, Hi=always disabled, Low=main switches and GND clamp switches are alternately turned on and off
44	GND	-	Drive power ground (0V)
45	SW16A	I/O	Analog switch terminal 16 (AFE side)
46	SW17A	I/O	Analog switch terminal 17 (AFE side)
47	SW18A	I/O	Analog switch terminal 18 (AFE side)
48	SW19A	I/O	Analog switch terminal 19 (AFE side)
49	SW20A	I/O	Analog switch terminal 20 (AFE side)
50	SW21A	I/O	Analog switch terminal 21 (AFE side)
51	SW22A	I/O	Analog switch terminal 22 (AFE side)
52	SW23A	I/O	Analog switch terminal 23 (AFE side)
53	NC	-	No connection (Not internally connected)
54	SW8A	I/O	Analog switch terminal 8 (AFE side)
55	SW9A	I/O	Analog switch terminal 9 (AFE side)
56	SW10A	I/O	Analog switch terminal 10 (AFE side)
57	SW11A	I/O	Analog switch terminal 11 (AFE side)
58	SW12A	I/O	Analog switch terminal 12 (AFE side)
59	SW13A	I/O	Analog switch terminal 13 (AFE side)
60	SW14A	I/O	Analog switch terminal 14 (AFE side)
61	SW15A	I/O	Analog switch terminal 15 (AFE side)
62	VLL	-	Positive voltage supply of low voltage interface (+1.8V~+5V)
63	THP	O	Thermal protection output flag, open N-MOS drain
64	GND	-	Drive power ground (0V)
65	RGND	-	Bleed resistor ground (0V)
66	SW15P	I/O	Analog switch terminal 15 (Probe side)
67	SW14P	I/O	Analog switch terminal 14 (Probe side)
68	SW13P	I/O	Analog switch terminal 13 (Probe side)
69	SW12P	I/O	Analog switch terminal 12 (Probe side)
70	SW11P	I/O	Analog switch terminal 11 (Probe side)
71	SW10P	I/O	Analog switch terminal 10 (Probe side)
72	SW9P	I/O	Analog switch terminal 9 (Probe side)
73	SW8P	I/O	Analog switch terminal 8 (Probe side)
74	NC	-	No connection (Not internally connected)
75	SW7P	I/O	Analog switch terminal 7 (Probe side)
76	SW6P	I/O	Analog switch terminal 6 (Probe side)
77	SW5P	I/O	Analog switch terminal 5 (Probe side)
78	SW4P	I/O	Analog switch terminal 4 (Probe side)
79	SW3P	I/O	Analog switch terminal 3 (Probe side)
80	SW2P	I/O	Analog switch terminal 2 (Probe side)
81	SW1P	I/O	Analog switch terminal 1 (Probe side)
82	SW0P	I/O	Analog switch terminal 0 (Probe side)
83	VDD	-	Positive low voltage power supply (+5V)
84	LEB	I	Active-Low latch enable input, Hi=Hold data, Low=Latch data input

8. Package Outline

Unit: mm

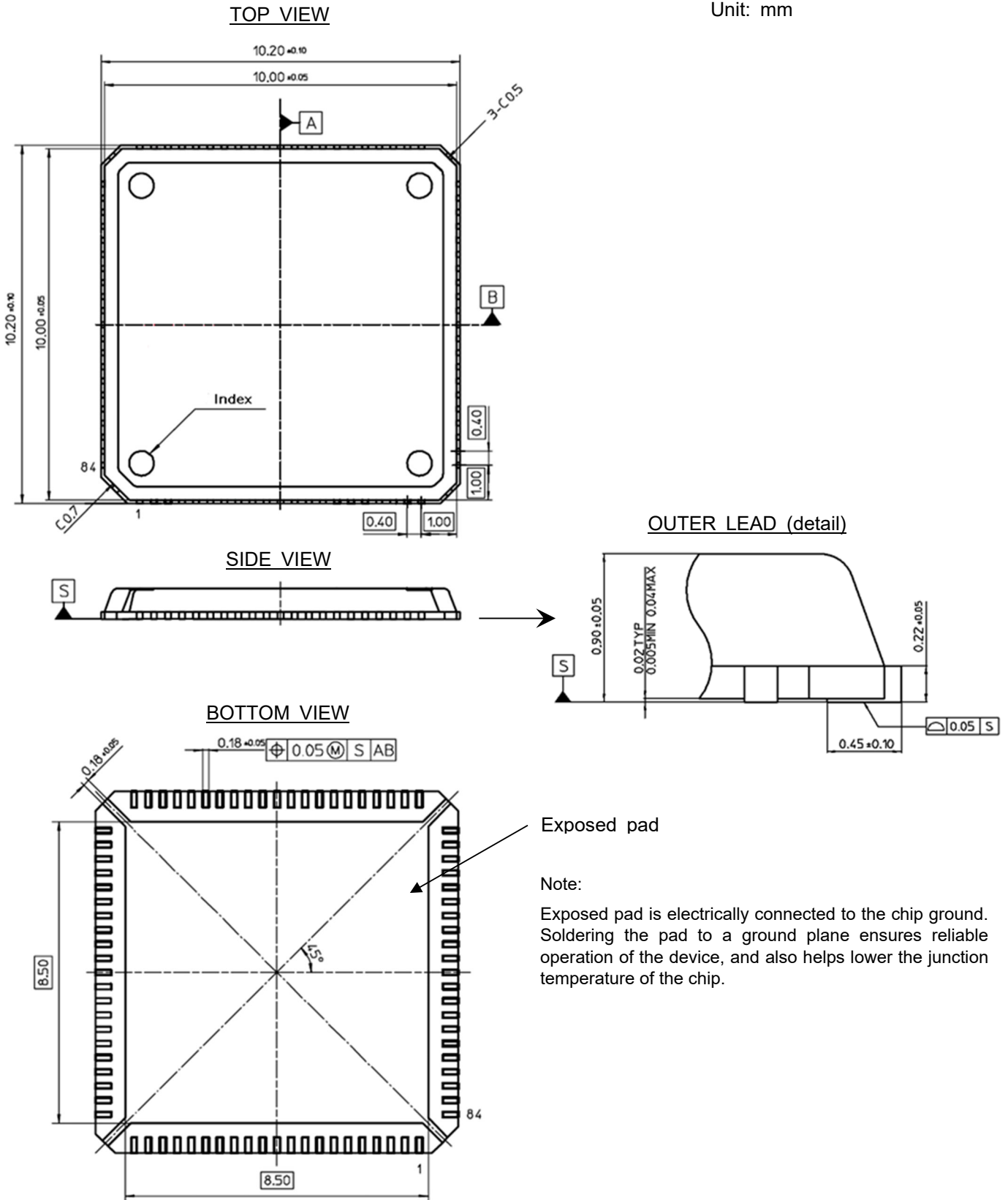
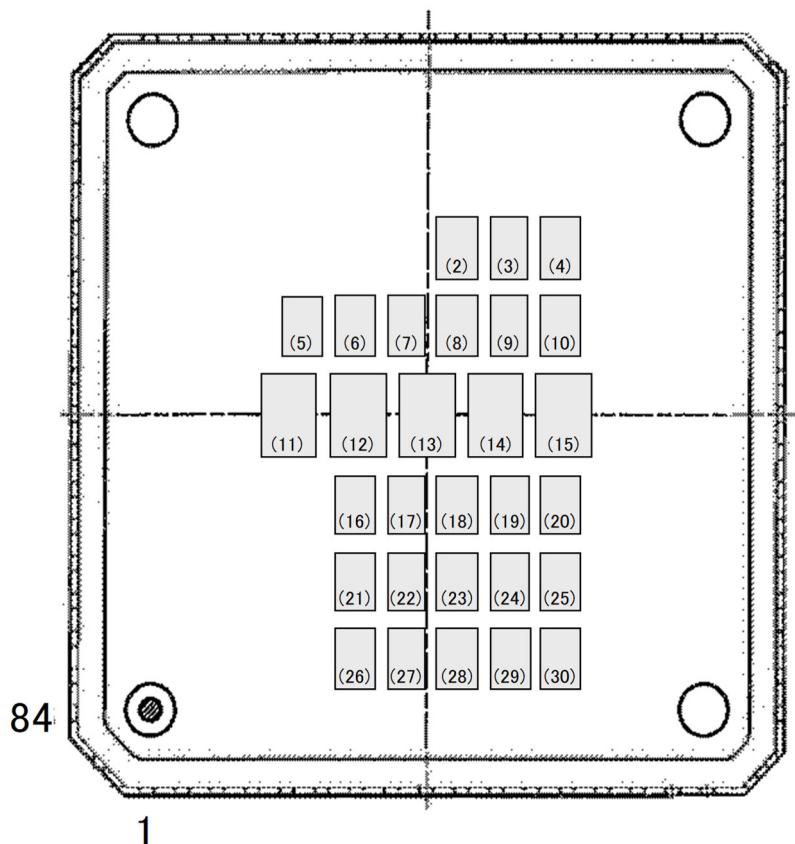


Fig.6 Package Outline (84-Lead 10x10mm QFN)

9. Package Marking



No.	Code
(2)	Year sealed : the last one digit of the year
(3)	Month sealed : A~M (exc. "I") in the order of Jan. to Dec.
(4)	Week sealed : 1~5
(5)~(15)	HDL6M06522B (product name)
(16)~(25)	Quality control code
(26)~(30)	Country of origin

Fig.7 Package Marking

10. Transport Media, Quantity

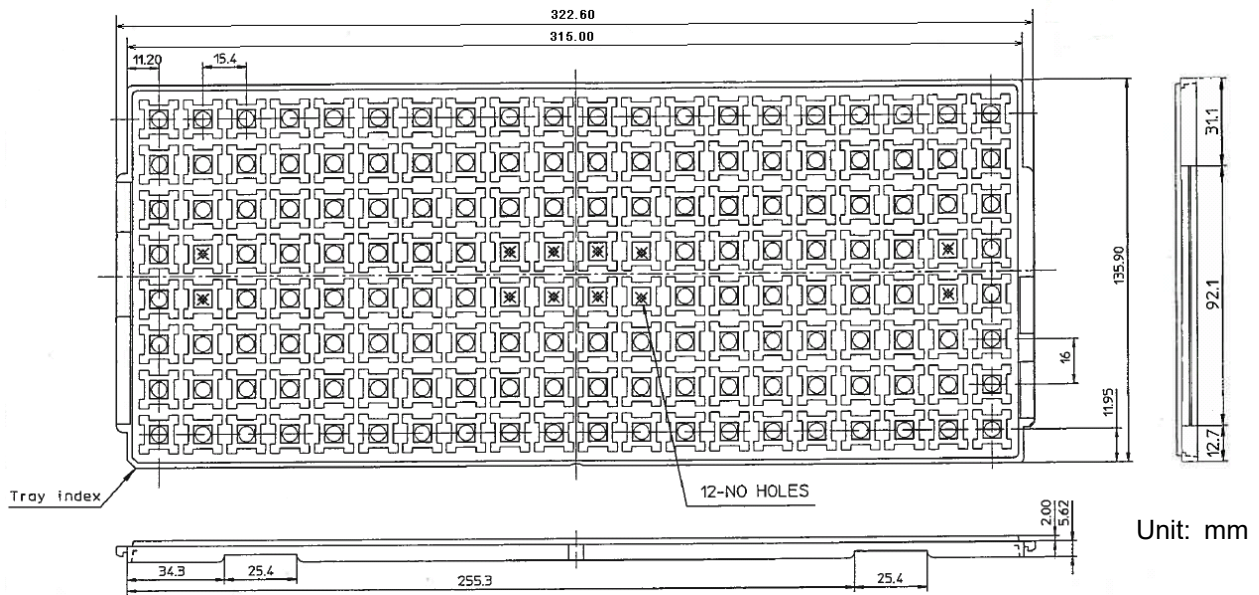


Fig.8 Tray Outline

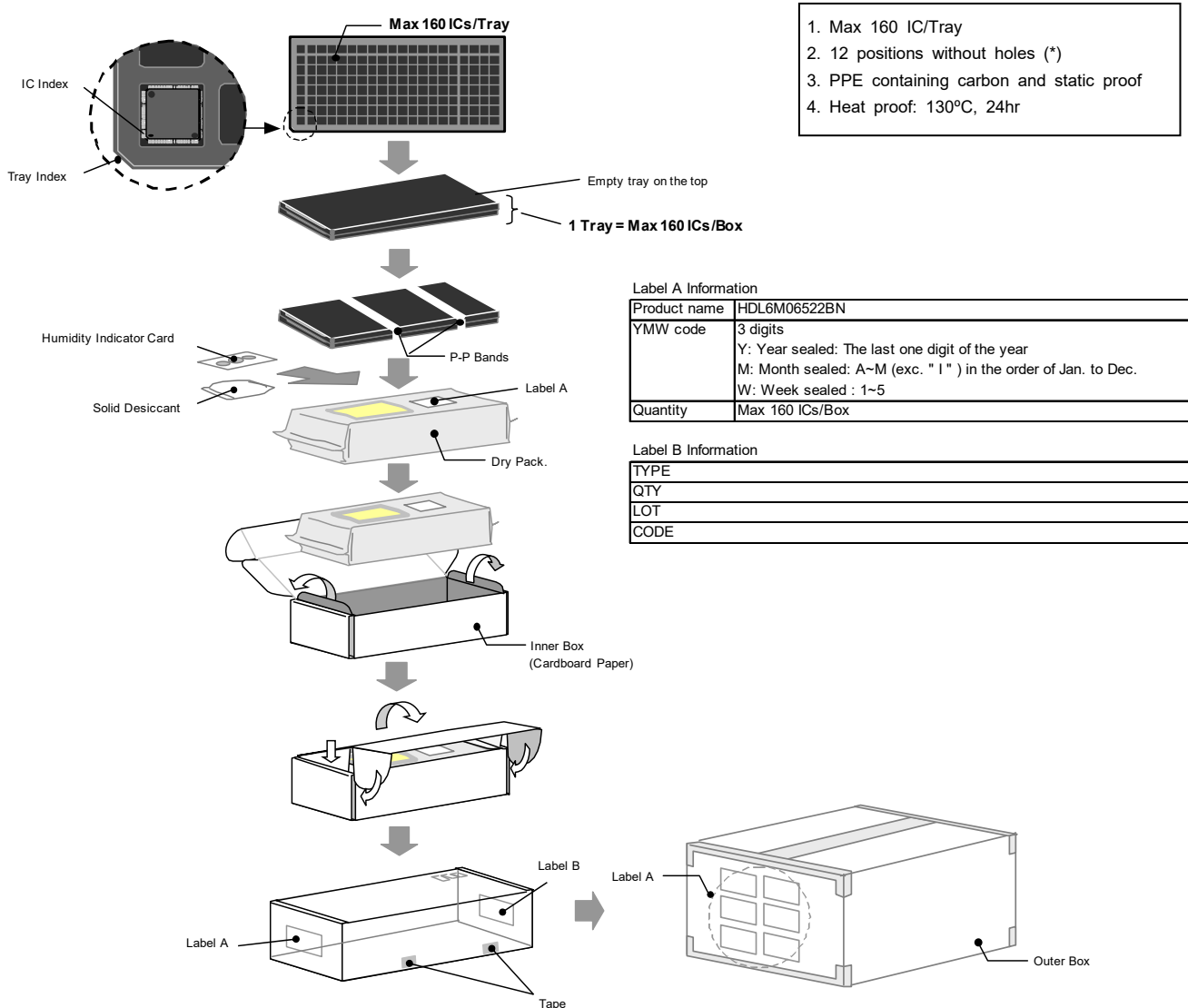


Fig.9 Transport Media, Quantity

11. Mounting, Storage

11.1 Mounting Pad Design Example

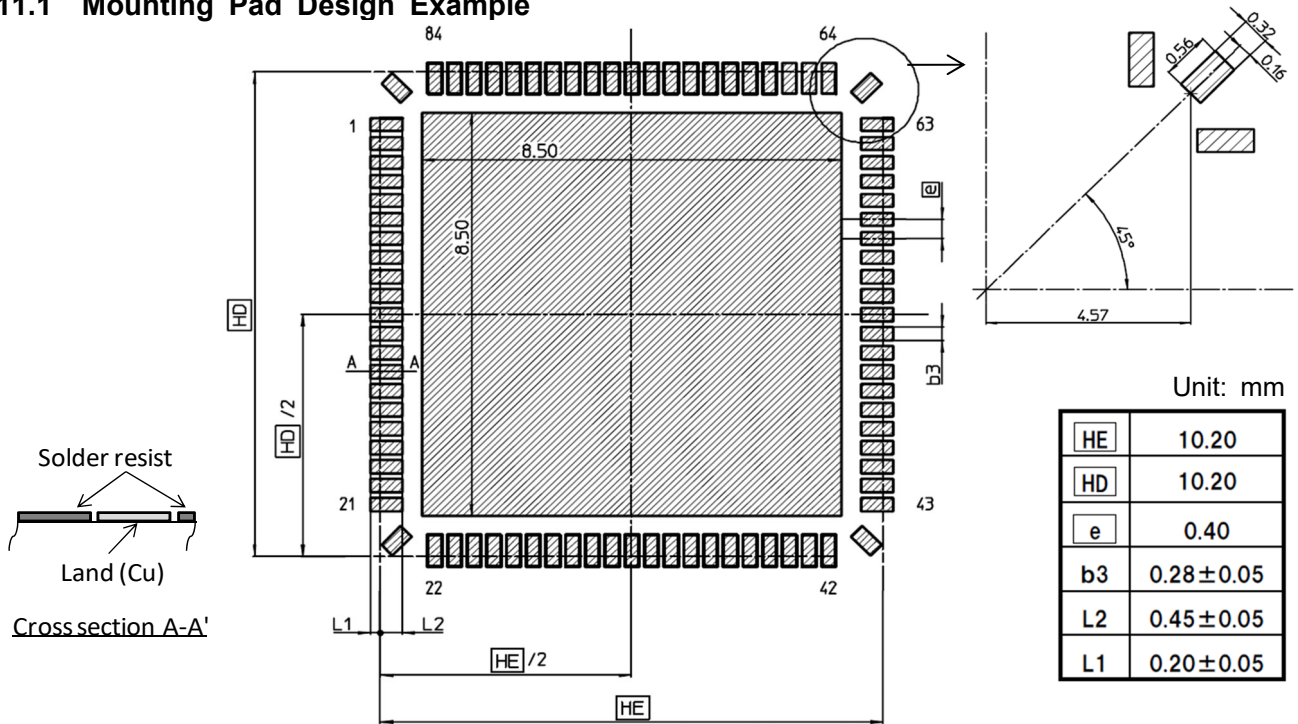


Fig.10 Mounting Pad Design Example

11.2 Storage Conditions

11.2.1 The storage location should be kept at 5 to 35 °C and 40 to 70% relative humidity. Keeping in a dry box is recommended. Moisture-proof property is assured for 12 months from delivery date for sealed moisture-proof packing, while it is guaranteed for 7 days from unpacked date under the condition above.

11.2.2 When the storage conditions do not conform to those above or other conditions occur indicating moisture exposure, the ICs should be dried to avoid package cracks. A baking process at 125 °C lasting for 24 hours results in sufficient dehumidification. The baking is not allowed more than twice, and the ICs should be mounted within 7 days after initial baking or within 10 days of total exposure after the second dehumidification.

11.3 Reflow Conditions

Typical full heating methods such as Infrared (IR), Hot air, and N2 reflow process are applicable. IR/Air reflow heating conditions are shown below.

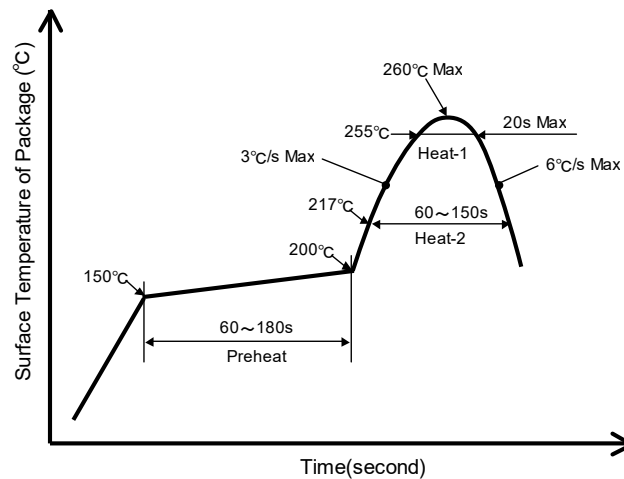


Fig.11 IR/Air Reflow Heating Conditions

12. Inspection

Hundred percent inspections shall be conducted on electrical characteristics.

13. Important Notice

- 13.1 ABLIC Inc. warrants performance of its hardware products (hereinafter called "products") to the specifications applicable at the time of sale in accordance with the Product Specification. Testing and other quality control techniques are utilized to the extent ABLIC Inc. needs to meet specifications described in the Product Specification. Specific testing of all parameters of each device is not necessarily performed, except those mandated by related laws and/or regulations.
- 13.2 Should any claim be made within one month of product delivery about products' failure to meet performance described in the Product Specification, all the products in relevant lot(s) shall be re-tested and re-delivered. Products delivered more than one month before of such claim shall not be counted for such response.
- 13.3 ABLIC Inc. assumes no obligation or any way of compensation should any fault about customer products and applications using ABLIC Inc. products be found in marketplace. Only in such a case fault of ABLIC Inc. is evident and products concerned do not meet the Product Specification, compensation shall be conducted if claimed within one year of product delivery up to in the way of product replacement or payment of equivalent amount.
- 13.4 ABLIC Inc. reserves the right to make changes to the Product Specification at any time and to discontinue mass production of the relevant products without notice. Customers are advised before placing orders to confirm that the Product Specification of inquiry is the latest version and that the relevant product is currently on mass production status.
- 13.5 In no event shall ABLIC Inc. be liable for any damage that may result from an accident or any other cause during operation of the user's units according to the Product Specification. ABLIC Inc. assumes no responsibility for any intellectual property claims or any other problems that may result from applications of information, products or circuits described in the Product Specification.
- 13.6 No license is granted by the Product Specification under any patents or other rights of any third party or ABLIC Inc.
- 13.7 The Product Specification may not be reproduced or duplicated, in any form, in whole or in part, without the expressed written permission of ABLIC Inc.
- 13.8 Resale of ABLIC Inc. products with statements different from or beyond the parameters described in the Product Specification voids all express and any implied warranties for the products, and is an unfair and deceptive business practice. ABLIC Inc. is not responsible or liable for any such statements.
- 13.9 Products (technologies) described in the Product Specification are not to be provided to any party whose purpose in their application will hinder maintenance of international peace and safety nor are they to be applied to that purpose by their direct purchasers or any third party. When exporting those products (technologies), the necessary procedures are to be taken in accordance with related laws and regulations.

14. Cautions

- 14.1 Customers are advised to follow the cautions below to protect products from damage caused by electrical static discharge (ESD).
 - 14.1.1 Material of container or any device to carry products should be free from ESD, which may be caused by vibration while transportation. It is recommended that electric-conductive container or aluminum sheet be used as an effective countermeasure.
 - 14.1.2 Those who touch products such as work platform, machine, measurement/test equipment should be grounded.
 - 14.1.3 Those who deal with products should be grounded through a large series impedance around 100kΩ to 1MΩ.
 - 14.1.4 Prevent friction with other materials made with high polymer.
 - 14.1.5 Prevent vibration or friction when carrying the printed circuit board (PCB) where products are mounted. To short circuit terminals is a recommended countermeasure to keep the same electric potential on the PCB.
 - 14.1.6 Avoid dealing with or storing products in an extremely arid environment.
- 14.2 "Absolute maximum ratings" should never be exceeded during use regardless of any change in external conditions. Otherwise, products may be damaged or destroyed. In no event shall ABLIC Inc. be liable for any failure in products or any secondary damage resulting from use at a value exceeding the absolute maximum ratings.
- 14.3 Products may experience failures due to accident or unexpected surge voltages. Accordingly, adopt safe design features, such as redundancy or prevention of erroneous action, to avoid extensive damage in the event of a failure. (If a semiconductor device fails, there may be cases in which the semiconductor device, wiring or wiring pattern will emit smoke or cause a fire or in which the semiconductor device will burst.)
- 14.4 Products may experience failures or malfunction in poor surroundings, such as electrical leakage in products due to long-term use in high humidity, malfunctioning or permanent damage due to chemical reaction of products in corrosive environment or due to discharge by strongly charged object near products or due to excessive mechanical shock. To use products in radiation environment is not assumed. To use products near material easy to ignite may cause a fire due to its flammable package. Avoid using products in such environment or take appropriate countermeasures depending on the environment.
- 14.5 Products are not designed, manufactured, or warranted to be suitable for use where extremely high reliability is required (such as use in nuclear power control, aerospace and aviation, traffic equipment, life-support-related medical equipment, fuel control equipment and various kinds of safety equipment). Inclusion of products in such application shall be fully at the risk of customers. ABLIC Inc. assumes no liability for applications assistance, customer product design, or performance.

Disclaimers (Handling Precautions)

1. All the information described herein (product data, specifications, figures, tables, programs, algorithms and application circuit examples, etc.) is current as of publishing date of this document and is subject to change without notice.
2. The circuit examples and the usages described herein are for reference only, and do not guarantee the success of any specific mass-production design.
ABLIC Inc. is not liable for any losses, damages, claims or demands caused by the reasons other than the products described herein (hereinafter "the products") or infringement of third-party intellectual property right and any other right due to the use of the information described herein.
3. ABLIC Inc. is not liable for any losses, damages, claims or demands caused by the incorrect information described herein.
4. Be careful to use the products within their ranges described herein. Pay special attention for use to the absolute maximum ratings, operation voltage range and electrical characteristics, etc.
ABLIC Inc. is not liable for any losses, damages, claims or demands caused by failures and / or accidents, etc. due to the use of the products outside their specified ranges.
5. Before using the products, confirm their applications, and the laws and regulations of the region or country where they are used and verify suitability, safety and other factors for the intended use.
6. When exporting the products, comply with the Foreign Exchange and Foreign Trade Act and all other export-related laws, and follow the required procedures.
7. The products are strictly prohibited from using, providing or exporting for the purposes of the development of weapons of mass destruction or military use. ABLIC Inc. is not liable for any losses, damages, claims or demands caused by any provision or export to the person or entity who intends to develop, manufacture, use or store nuclear, biological or chemical weapons or missiles, or use any other military purposes.
8. The products are not designed to be used as part of any device or equipment that may affect the human body, human life, or assets (such as medical equipment, disaster prevention systems, security systems, combustion control systems, infrastructure control systems, vehicle equipment, traffic systems, in-vehicle equipment, aviation equipment, aerospace equipment, and nuclear-related equipment), excluding when specified for in-vehicle use or other uses by ABLIC, Inc. Do not apply the products to the above listed devices and equipments.
ABLIC Inc. is not liable for any losses, damages, claims or demands caused by unauthorized or unspecified use of the products.
9. In general, semiconductor products may fail or malfunction with some probability. The user of the products should therefore take responsibility to give thorough consideration to safety design including redundancy, fire spread prevention measures, and malfunction prevention to prevent accidents causing injury or death, fires and social damage, etc. that may ensue from the products' failure or malfunction.
The entire system in which the products are used must be sufficiently evaluated and judged whether the products are allowed to apply for the system on customer's own responsibility.
10. The products are not designed to be radiation-proof. The necessary radiation measures should be taken in the product design by the customer depending on the intended use.
11. The products do not affect human health under normal use. However, they contain chemical substances and heavy metals and should therefore not be put in the mouth. The fracture surfaces of wafers and chips may be sharp. Be careful when handling these with the bare hands to prevent injuries, etc.
12. When disposing of the products, comply with the laws and ordinances of the country or region where they are used.
13. The information described herein contains copyright information and know-how of ABLIC Inc. The information described herein does not convey any license under any intellectual property rights or any other rights belonging to ABLIC Inc. or a third party. Reproduction or copying of the information from this document or any part of this document described herein for the purpose of disclosing it to a third-party is strictly prohibited without the express permission of ABLIC Inc.
14. For more details on the information described herein or any other questions, please contact ABLIC Inc.'s sales representative.
15. This Disclaimers have been delivered in a text using the Japanese language, which text, despite any translations into the English language and the Chinese language, shall be controlling.

2.4-2019.07