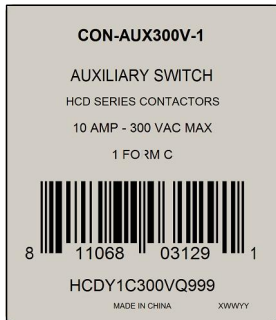
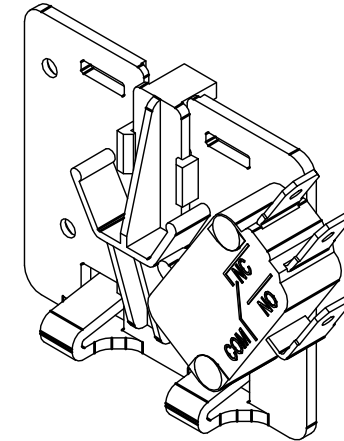
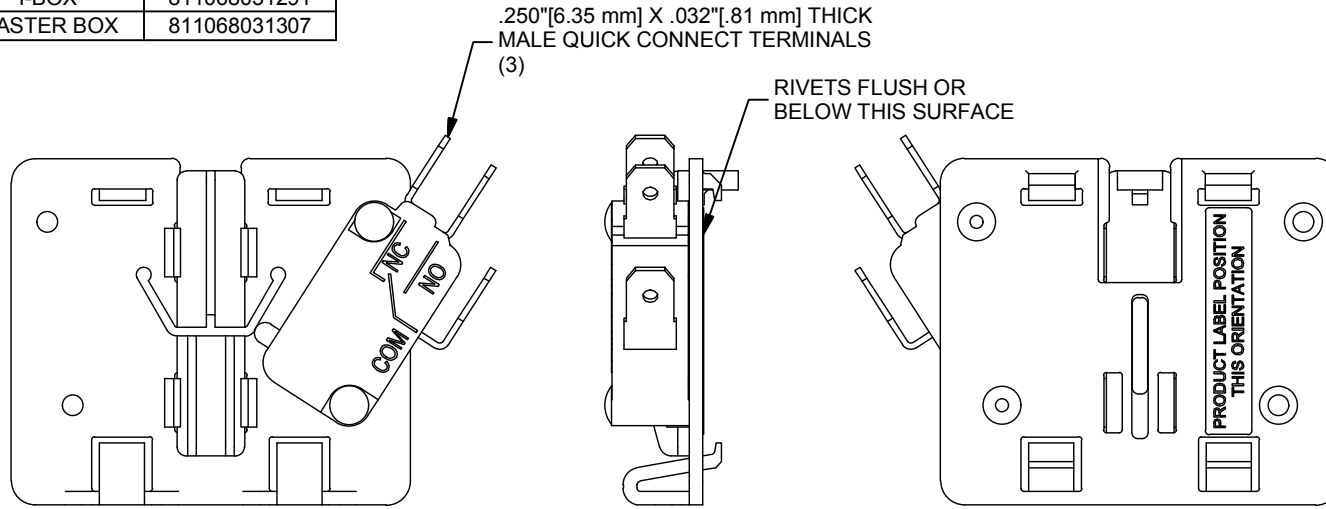


LABEL	UPCA BARCODE NUMBER
I-BOX	811068031291
MASTER BOX	811068031307

NOTES: UNLESS OTHERWISE SPECIFIED



INDIVIDUAL BOX LABEL - 1005215
(1.50"[38.1] X 1.75"[44.4])



PRODUCT LABEL - 1005291
(1.18"[30.0] X 0.24"[6.1])

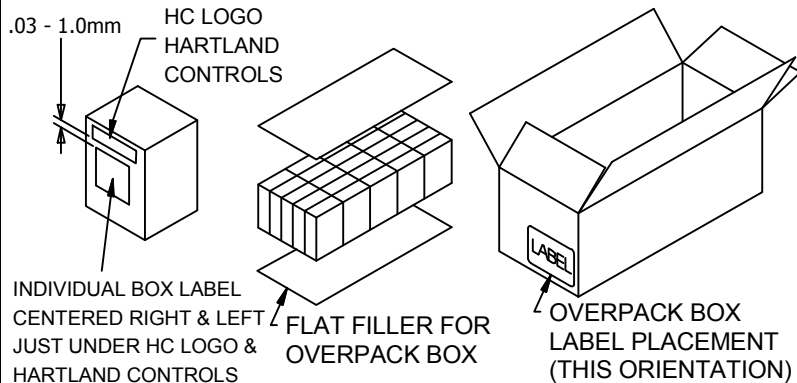


MASTER BOX LABEL - 1005278
(4.00"[101.6] X 2.00"[50.8])



FULL PALLET LABEL - 1005279
(4.00"[101.6] X 2.00"[50.8])

PACKAGING



BOX	FLAT FILLER	OVERPACK
1005293	DC-HCC-AS050 (2 PIECES)	DC-HCC-AS010

D	REVISED FLAT FILLER AND OVERPACK PART NUMBERS	04688	BJS	KWD	7/9/18
C	REVISE I-BOX LABEL LAYOUT. PRIMARY PART # WAS CON-AUX300V. ADD 0.3-1.0mm DIM. TO LABEL DETAIL.	04671	MM	KWD	6/26/18
B	ADDED IBOX LABEL PLACEMENT	04496	KWD	MM	1/11/18
A	ISSUE DRAWING	04401	MM	KWD	12/20/17
REV	DESCRIPTION	ECN	DWN	APVD	APVD DATE

Hartland Controls LLC
807 Antec Rd.
Rock Falls, IL 61071

DRN BY MM	DRN DATE 12/12/17	CHECKED BY KWD	CHECKED DATE 12/20/17
--------------	----------------------	-------------------	--------------------------

DESC: AUX. SWITCH SPDT, MICRO

PART NO.
HCDY1C300VQ999