

# A150A Air transducer

**Part Number: H2KA150KA1CD00**

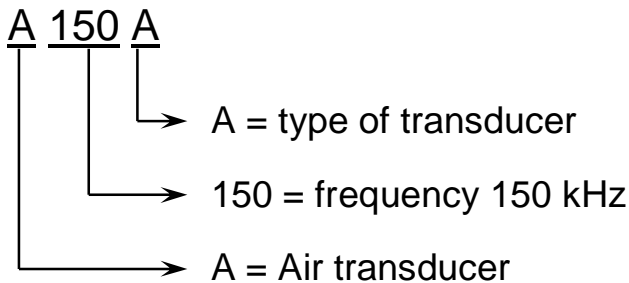


# 1. Introduction

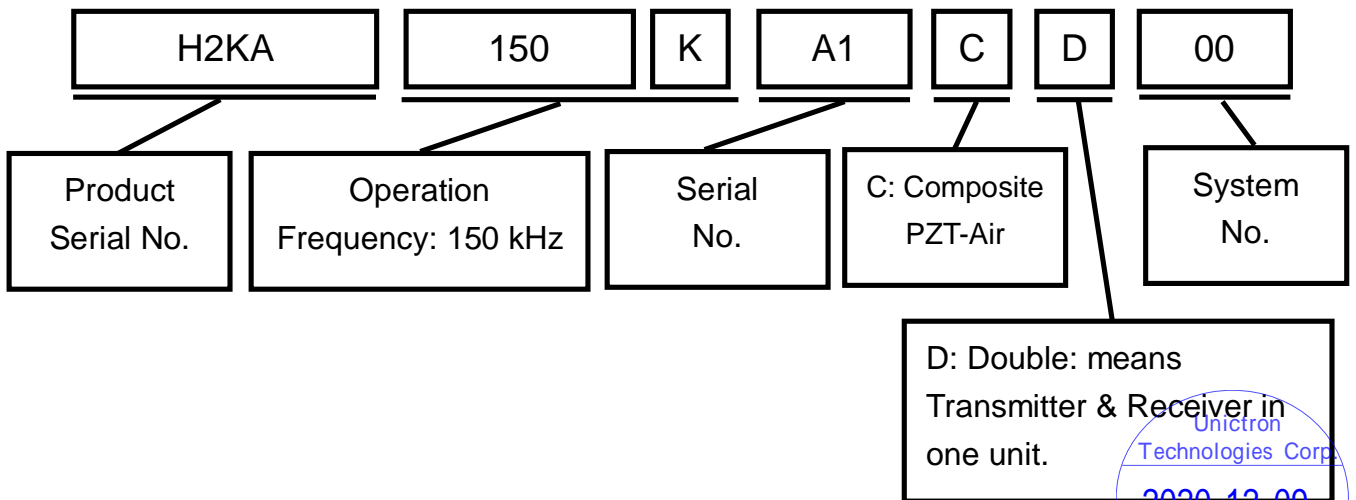
Unictron's A150A ultrasonic transducer is designed to deliver outstanding performance at around 150 kHz frequency. The transducer works as a signal transmitting and receiving unit. This ultrasonic transducer is suitable for proximity measurement, web guiding control, edge position control, non-contact level measurement and robotics, etc.




## 1.1 Model name

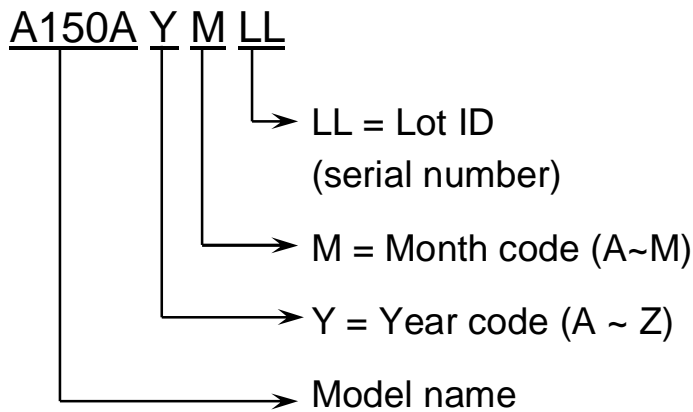


## 1.2 Part number: H2KA150KA1CD00



TOLERANCES (UNLESS SPECIFIED OTHERWISE) X = ±      X.X = ±      X.XX =		 <p>Unictron Technologies Corporation Website: www.unictron.com</p>	詠業科技股份有限公司 Document Control Center	
ANGLES = ±      HOLE DIA = ±			THIS SPECIFICATION IS THE PROPERTY OF UNICTRON TECHNOLOGIES CORPORATION AND MAY NOT BE REPRODUCED OR USED IN WHOLE OR IN PART WITHOUT WRITTEN PERMISSION FROM UNICTRON.	
SCALE : free	UNIT : mm	DOCUMENT NO.	<b>H2KA150KA1CD00</b>	REV.
DRAWN By : William Wu	CHECKED BY: Long Chen			A
DESIGNED BY : William Wu	APPROVED BY : Jeff Chang			
TITLE : A150A Air transducer				

### 1.3 Marking



Year	Y code	Month	M code
2017	S	Jan	A
2018	T	Feb	B
2019	U	March	C
2020	V	April	D
2021	W	May	E
2022	X	June	F
2023	Y	July	G
2024	Z	August	H
2025	A	Sep	J
2026	B	Oct	K
2027	C	Nov	L
2028	D	Dec	M

(I · O not involve the code)

## 2. Electrical Characteristics

### 2.1 Major electrical characteristics and testing conditions

Characteristics	Specifications	Unit
Operation frequency	150	kHz
Overall sensitivity *	5.0 ± 2.0	V <sub>p-p</sub>
Ringing (T2)	< 950	μs
Capacitance (@ 1kHz, 1Vrms)	1000 ± 20%	pF
Directivity ( full angle @-3 dB )	8 ± 2	Degree
Maximum driving voltage ( 2% Duty Cycle Tone Burst )	500	V <sub>p-p</sub>
Typical max. sensing range	2.5	meter

\* Note: 1. Measured at 25 ± 3°C, 45 to 60% RH.


2. Testing circuit setup: Driving signal: rectangular wave 18 V<sub>p-p</sub>, 150 kHz, burst number = 10 pulses, drive interval: 20 ms, gain of receiving circuit: 64 dB (Please refer to 2.2 for details)

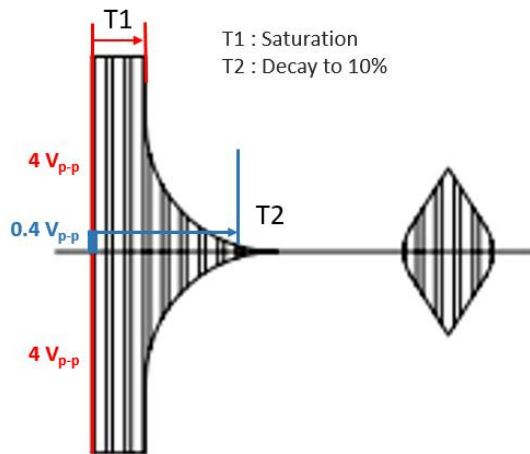
3. Dimensions of reflecting metal plate: 400x400mm, reflection distance: 600mm

4. T2 definition shown as below:

Unictron  
Technologies Corp.  
2020-12-09

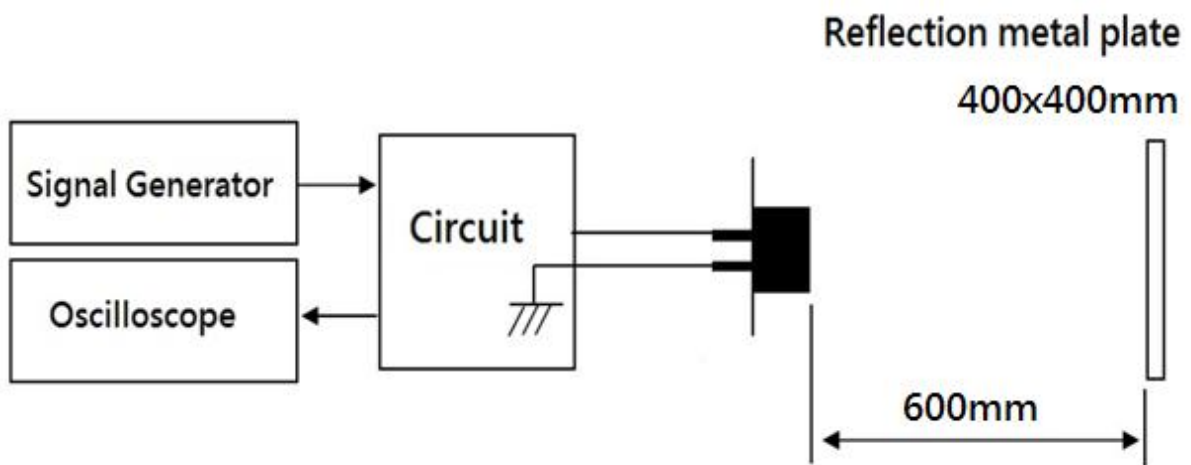
Document  
Control Center


TOLERANCES (UNLESS SPECIFIED OTHERWISE) X = ±      X . X = ±      X . XX = ±		 詠業科技股份有限公司 Unictron Technologies Corporation Website: www.unictron.com			
ANGLES = ±      HOLE DIA = ±					
SCALE : free	UNIT : mm	THIS SPECIFICATION IS THE PROPERTY OF UNICTRON TECHNOLOGIES CORPORATION AND MAY NOT BE REPRODUCED OR USED IN WHOLE OR IN PART WITHOUT WRITTEN PERMISSION FROM UNICTRON.			
DRAWN By : William Wu	CHECKED BY: Long Chen				
DESIGNED BY : William Wu	APPROVED BY : Jeff Chang				
TITLE : A150A Air transducer		DOCUMENT NO.	H2KA150KA1CD00	REV.	A

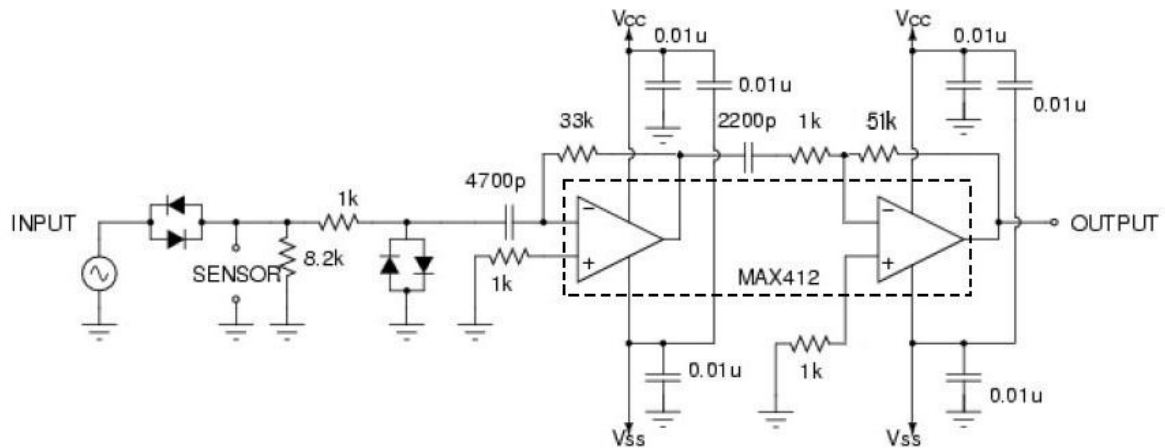


## 2.2 Performance testing

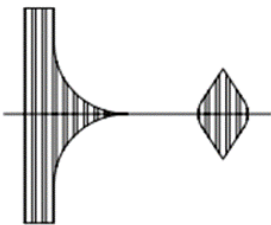
Typical setup for sensitivity measurement



TOLERANCES (UNLESS SPECIFIED OTHERWISE) X = ±      X . X = ±      X . XX =		 詠業科技股份有限公司 Unictron Technologies Corporation Website: www.unictron.com		
ANGLES = ±      HOLE DIA = ±				
SCALE : free	UNIT : mm	THIS SPECIFICATION IS THE PROPERTY OF UNICTRON TECHNOLOGIES CORPORATION AND MAY NOT BE REPRODUCED OR USED IN WHOLE OR IN PART WITHOUT WRITTEN PERMISSION FROM UNICTRON.		
DRAWN By : William Wu	CHECKED BY: Long Chen			
DESIGNED BY : William Wu	APPROVED BY : Jeff Chang			
TITLE : A150A Air transducer		DOCUMENT NO.	H2KA150KA1CD00	REV. A

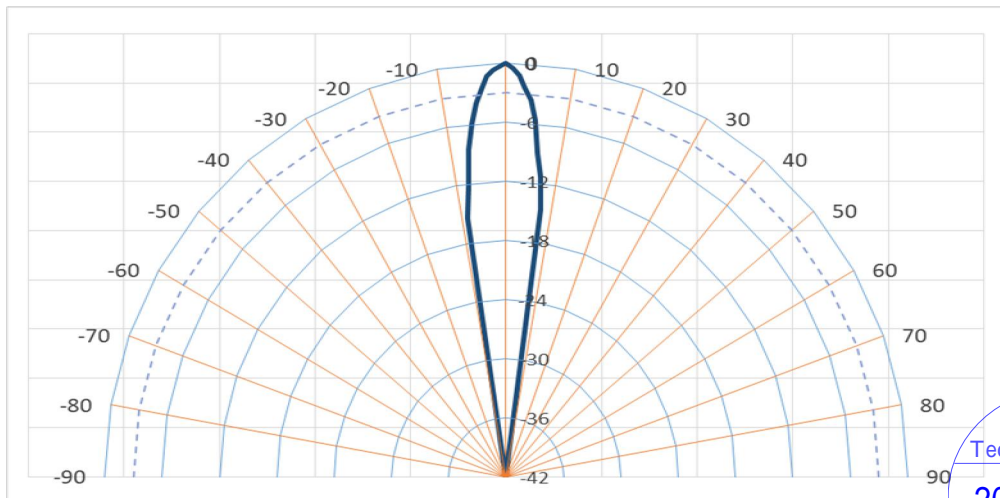


**Circuit**




Drive signal:  
 Rectangular 18 Vp-p; Frequency=150 kHz; Driving Interval=20 ms;  
 Pulse n=10; Gain of receiving circuit: 64 dB

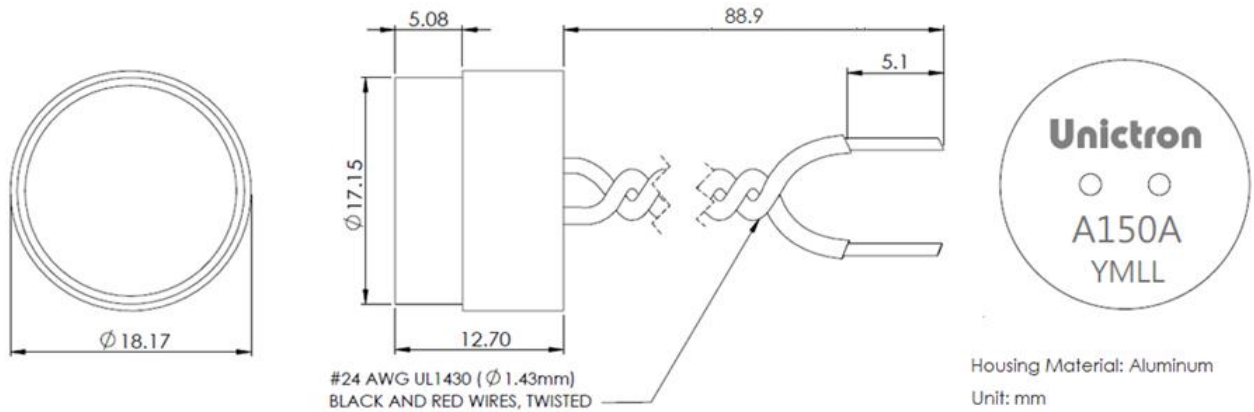
### 2.3 Typical directivity diagram



Unictron  
 Technologies Corp.  
 2020-12-09  
 Document  
 Control Center

TOLERANCES (UNLESS SPECIFIED OTHERWISE) $X = \pm$ $X.X = \pm$ $X.XX =$ <b>ANGLES</b> = $\pm$ <b>HOLE DIA</b> = $\pm$		 詠業科技股份有限公司 Unictron Technologies Corporation Website: www.unictron.com	
SCALE : free	UNIT : mm		
DRAWN By : William Wu	CHECKED BY: Long Chen	THIS SPECIFICATION IS THE PROPERTY OF UNICTRON TECHNOLOGIES CORPORATION AND MAY NOT BE REPRODUCED OR USED IN WHOLE OR IN PART WITHOUT WRITTEN PERMISSION FROM UNICTRON.	
DESIGNED BY : William Wu	APPROVED BY : Jeff Chang		
TITLE : A150A Air transducer	DOCUMENT NO.	H2KA150KA1CD00	REV.
			A

### 3. Dimensions



Dimensions	Specifications	Unit
Height	$12.70 \pm 0.1$	mm
OD ( face )	$\Phi 17.15 \pm 0.1$	mm
Housing OD	$\Phi 18.17 \pm 0.1$	mm
Wire ( UL1430 #24AWG $\Phi 1.43$ mm )	$88.9 \pm 6.4$	mm

### 4. Operation and storage conditions

Operating:

Temperature:  $-20^{\circ}\text{C}$  to  $+70^{\circ}\text{C}$


Maximum driving voltage: 500 Vp-p

Storage:

Temperature:  $-40^{\circ}\text{C}$  to  $+85^{\circ}\text{C}$

Relative Humidity: 30 to 80%

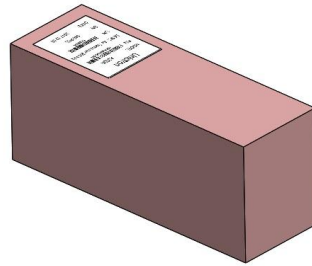
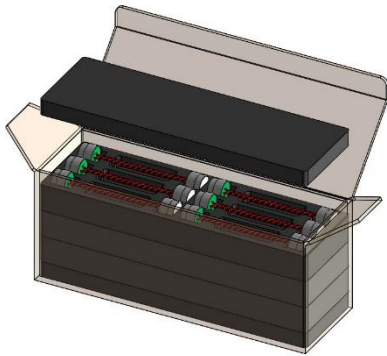


TOLERANCES (UNLESS SPECIFIED OTHERWISE) X = $\pm$ X.X = $\pm$ X.XX =		 詠業科技股份有限公司 Unictron Technologies Corporation Website: www.unictron.com			
ANGLES = $\pm$ HOLE DIA = $\pm$					
SCALE : free	UNIT : mm	THIS SPECIFICATION IS THE PROPERTY OF UNICTRON TECHNOLOGIES CORPORATION AND MAY NOT BE REPRODUCED OR USED IN WHOLE OR IN PART WITHOUT WRITTEN PERMISSION FROM UNICTRON.			
DRAWN By : William Wu	CHECKED BY: Long Chen				
DESIGNED BY : William Wu	APPROVED BY : Jeff Chang				
TITLE : A150A Air transducer		DOCUMENT NO.	H2KA150KA1CD00	REV.	A

## 5. Packing

### 5.1 Inner box

Dimensions	249 x 85 x 111 mm
Quantity of transducers	48 pcs
Reference for gross weight	415 ± 10 g



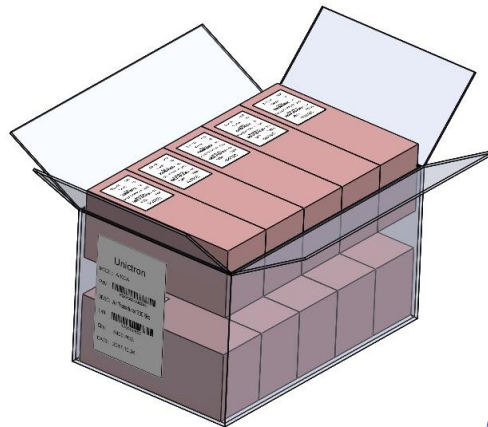
<b>Unictron</b>	
MODEL:	A150A
P/N:	H2KA150KA1CD00
DESC:	Air transducer 150 kHz
L/N:	200300115
Qty:	48 PCS
DATE:	2020.03.03

### 5.2 Carton (outer box) and Label

Dimensions	445 x 260 x 238 mm
Quantity of inner box	10 boxes
Total quantity of transducers	480 pcs
Reference for gross weight	4.2 ± 0.5 kg

Label on carton.

<b>Unictron</b>	
Model:	A150A
P/N:	H2KA150KA1CD00
CUST P/N :	12345678
DESC:	Air transducer 150 kHz
L/N:	200300115
Qty:	480 PCS
DATE:	2020.03.03



Unictron  
Technologies Corp.  
**2020-12-09**

TOLERANCES (UNLESS SPECIFIED OTHERWISE) X = ±      X . X = ±      X . XX = ± ANGLES = ±      HOLE DIA = ±		 詠業科技股份有限公司 Unictron Technologies Corporation Website: www.unictron.com	Document Control Center <b>2020-12-09</b>
SCALE : free	UNIT : mm		
DRAWN By : William Wu	CHECKED BY: Long Chen	THIS SPECIFICATION IS THE PROPERTY OF UNICTRON TECHNOLOGIES CORPORATION AND MAY NOT BE REPRODUCED OR USED IN WHOLE OR IN PART WITHOUT WRITTEN PERMISSION FROM UNICTRON.	
DESIGNED BY : William Wu	APPROVED BY : Jeff Chang		
TITLE : A150A Air transducer		DOCUMENT NO.	REV.
		H2KA150KA1CD00	A

## 6. Notes and References

### 6.1 Piezoelectricity

When exposed to high temperature or high voltage, piezoceramic materials may lose its piezoelectric properties due to depolarization.

### 6.2 Soldering

Please use the soldering tip to connect the wire of the transducer. The temperature of the soldering tip should not exceed 360°C with maximum soldering time of 3 seconds. The transducer is not designed for reflow soldering process. Do not put the transducer in the reflow oven.

### 6.3 Electric connection

Do not connect transducer to DC voltage.


### 6.4 Installation

Noise may be induced when the transducer is subject to vibration. Please protect the transducer with buffer material at installation.

### 6.5 Not a water-proof device

The transducer is not hermetically sealed. Please don't expose to water, organic solvents, and corrosive gases. Please also keep the surface of the transducer clean, do not touch the surface with skin and do not clean the surface with organic solvent.



TOLERANCES (UNLESS SPECIFIED OTHERWISE) X = ±      X . X = ±      X . XX =		 詠業科技股份有限公司 Unictron Technologies Corporation Website: www.unictron.com		
ANGLES = ±      HOLE DIA = ±				
SCALE : free	UNIT : mm	THIS SPECIFICATION IS THE PROPERTY OF UNICTRON TECHNOLOGIES CORPORATION AND MAY NOT BE REPRODUCED OR USED IN WHOLE OR IN PART WITHOUT WRITTEN PERMISSION FROM UNICTRON.		
DRAWN By : William Wu	CHECKED BY: Long Chen			
DESIGNED BY : William Wu	APPROVED BY : Jeff Chang			
TITLE : A150A Air transducer		DOCUMENT NO.	H2KA150KA1CD00	REV. A