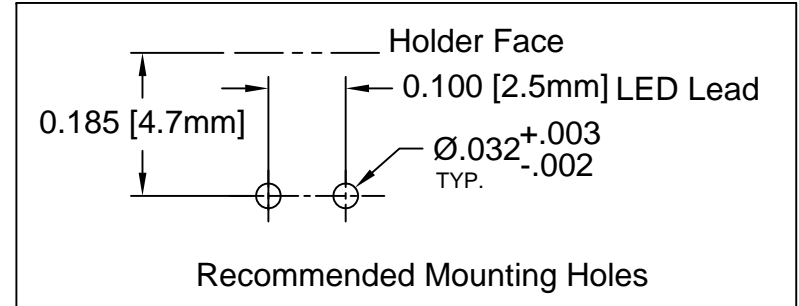
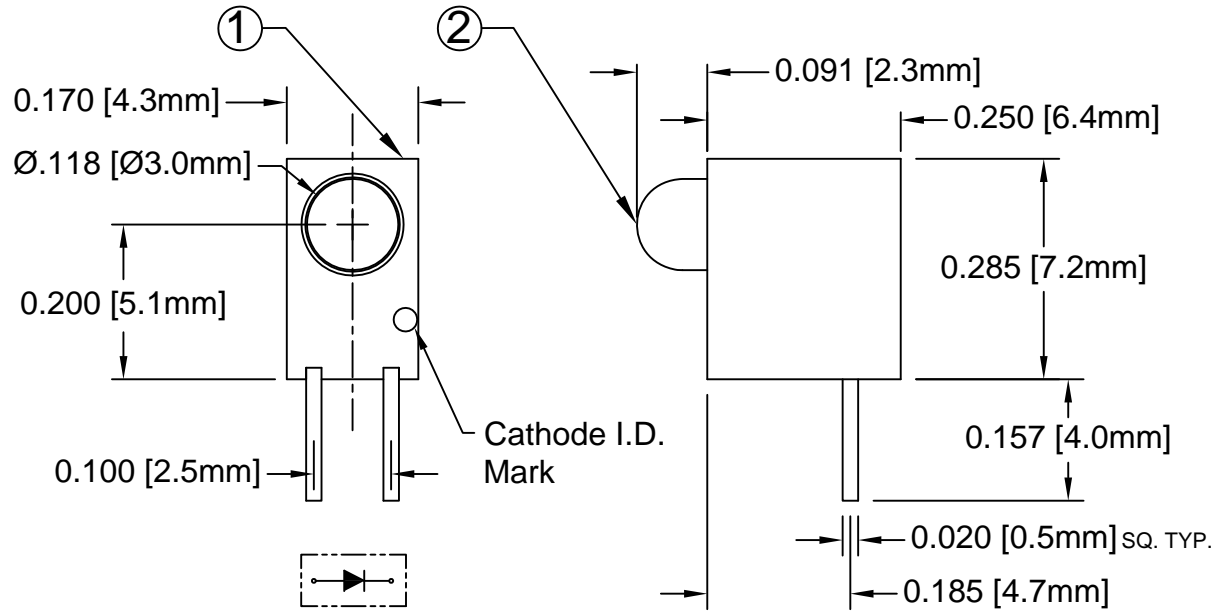


ITEM	Q'TY	PART NUMBER	PART DESCRIPTION
1	1	H-101C	T-1 (3mm) LED Holder 90° Mount, Single-Station
2	1	3SGC-S	T-1 (3mm) Shouldered LED

REV.	DESCRIPTION	DATE	APPROVED
A	Engineering Release	08/08/06	M. C.
B	Updated Shouldered LED	04/13/09	T. Y.
C	Engineering Update w/o Changes	06/20/16	J. C.



LED P/N	Chip		Lens Appearance	Absolute Max. Ratings				Electro-Optical Data @ 20mA			Viewing Angle (Deg)
	Emitted Color	Peak Wavelength $\lambda_p$ (nm)		$\Delta\lambda$ (nm)	Pd (mW)	If (mA)	Peak If (mA)	Vf (V)		Iv (mcd)	
								TYP	MAX	TYP	
3SGC-S	SUPER GREEN	568	WATER CLEAR	-	80	30	150	2.1	2.8	50	30

## ABSOLUTE MAXIMUM RATINGS (Ta=25° C)

REVERSE VOLTAGE \_\_\_\_\_ 5V

REVERSE CURRENT \_\_\_\_\_ 100uA

OPERATING TEMPERATURE RANGE \_\_\_\_\_ -25° C - 85° C

STORAGE TEMPERATURE \_\_\_\_\_ -30° C - 100° C

LEAD SOLDERING TEMPERATURE(1/16" FROM BODY) \_\_\_\_\_ 260° C FOR 5 SECONDS

STANDARD TOLERANCE (UNLESS OTHERWISE SPECIFIED)		BIVAR®	
DECIMALS	ANGULAR	4 THOMAS, IRVINE, CA. 92618	
.X ±.1	X° ±1°	TEL: (949) 951-8808 FAX: (949) 951-3974	
.XX ±.02		TITLE: T-1 (3MM) 90° SINGLE-LEVEL LED ASSEMBLY	
.XXX ±.010		PART NO: H101CSGC REVISION: C	
DESIGNED: S. Dam	DATE: 08/08/06	CAGE CODE : 32559 SHEET # 1 OF 1	
CHECKED: T. Yin	DATE: 08/08/06	CAD GENERATED DOCUMENT. DO NOT MEASURE DRAWING.	