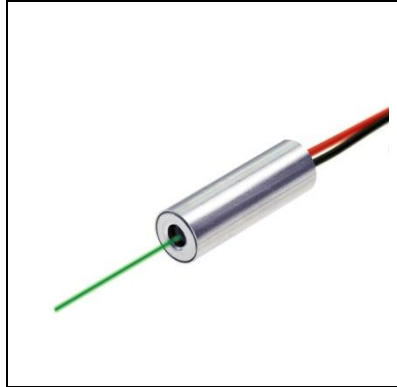


## Economical Green Dot Laser

### VLM-520-03 LPT



#### FEATURES:

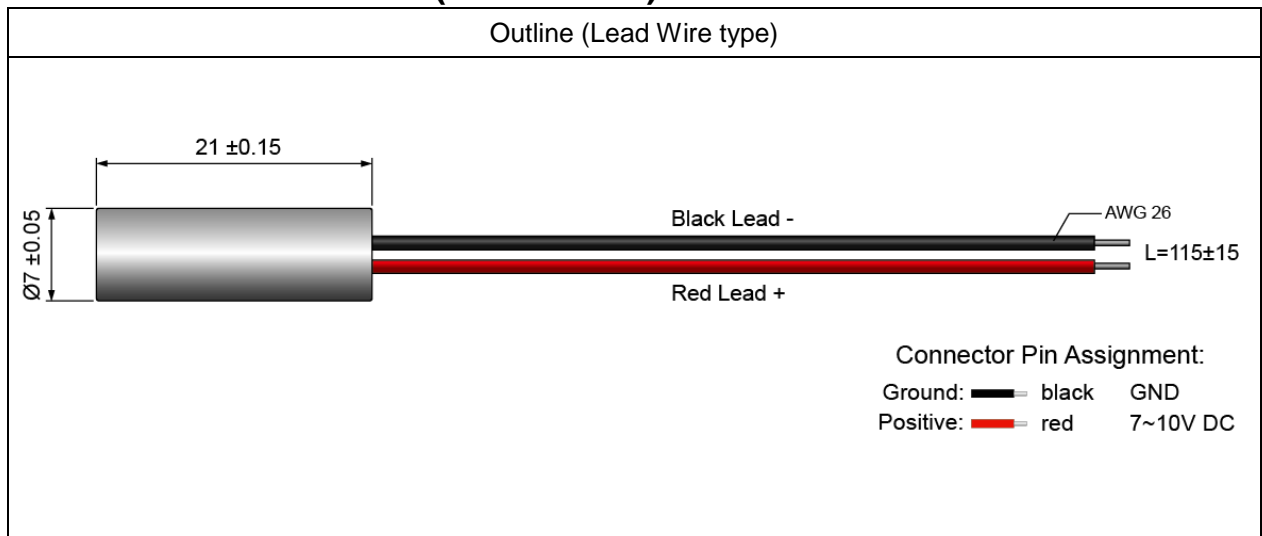
- Direct Green Laser Diode module to provide large temperature operation range.
- Ideal for economical Laser Pointing/Position solution.
- This module has integrated optic, laser diode, and APC driver circuit.
- APC Driver Circuit enables the Laser output power safe and constant.
- Aspherical plastic lens provides tight Dot Laser.
- Dimensions : Ø7 x 21 mm (Ø0.276" x 0.827")
- Wavelength : 505~530 nm
- Laser power output : LPT - Class II – less than 1mW.
- Beam Divergence (Half Angle) : 0.6 mRad
- 7~10 VDC operation.
- Connection type : Lead wire

#### APPLICATIONS:

- Economical Green Dot Laser Module - Low cost solution for consumer grade positioning, measuring, pointing and laser sighting device.
- Wood processing.
- Metal processing.
- Stone processing.
- Textile industry.
- Food industry.
- Automotive industry.
- Medical science.

## VLM-520-03 LPT

### OUTLINE DIMENSIONS (UNITS: mm)



### SPECIFICATIONS

SPECIFICATIONS		VLM-520-03
		LPT
1	Dimensions	Ø7 x 21 mm (Ø0.276" x 0.827")
2	Operating voltage (Vop)	7~10 VDC
3	Operating current (Iop)	Less than 80mA
4	Laser power output	Less than 1mW
5	Laser class	Class II
6	Wavelength at peak emission (λp)	505~530nm
7	Collimating lens	Aspherical plastic lens
8	Output aperture	3mm
9	Beam shape	Ellipse
10	Spot size at 5M	Less than 4mm
11	Divergence (Half Angle)	0.6 mRad
12	Beam alignment	Less than 3°
13	Operating temp. range*	+15°C ~+30°C
14	Storage temp. range	-20°C ~+65°C
15	Housing material	Stainless steel
16	Potential housing**	VDD(+)
17	Electrostatic discharge (ESD)	20KV
18	Moisture sensitivity level (MSL)	Level 1 - acc to JEDEC J-STD-020E.
19	Wire type	1007-26AWG

## VLM-520-03 LPT

20	Cable length	115±15mm
21	Mean time to failure (MTTF) 25°C	5000hrs
22	Application	Economic type
23	Suggestion work distance	1~10 meters / 3~40 feet

\* Operation temperature: it means within this temperature range, the laser spot/line will not be affected to change the spot size/line width. It can still work over this range, but the laser spot size or laser line width will be larger.

\*\* Laser module housing is an electrical positive surface, it is imperative that contact between the laser module and the machine be avoided. This is to prevent damage from the machine electrical leakage. Surge protected power supply to the laser module is strongly recommended.

### ORDER CODE

Order Code	Wavelength	Laser Power Output	Laser Class	Connection Type
VLM-520-03 LPT	520 nm	Less than 1mW	Class II	Lead Wire

### SAFETY LABEL

