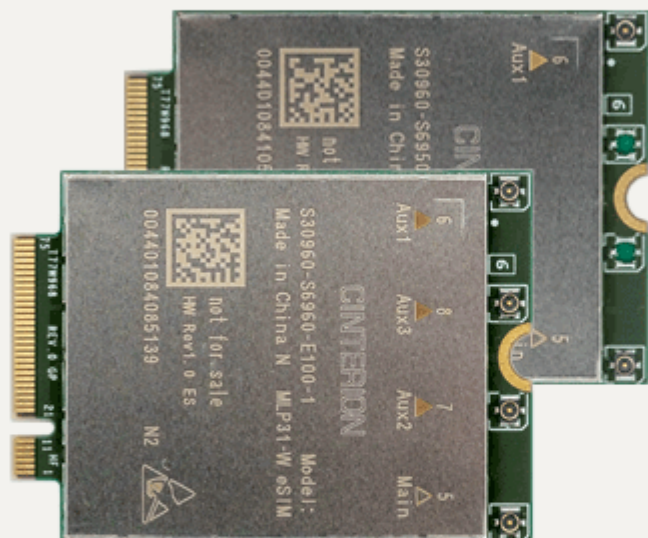


Getting Started with 4G Modem Card

User Guide

Version: 01

DocId: MLx31_startup_guide_v01



User Guide:	Getting Started with 4G Modem Card
Version:	01
Date:	2021-05-06
DocId:	MLx31_startup_guide_v01
Status	Confidential / Preliminary

GENERAL NOTE

THE USE OF THE PRODUCT INCLUDING THE SOFTWARE AND DOCUMENTATION (THE "PRODUCT") IS SUBJECT TO THE RELEASE NOTE PROVIDED TOGETHER WITH PRODUCT. IN ANY EVENT THE PROVISIONS OF THE RELEASE NOTE SHALL PREVAIL. THIS DOCUMENT CONTAINS INFORMATION ON THALES PRODUCTS. THE SPECIFICATIONS IN THIS DOCUMENT ARE SUBJECT TO CHANGE AT THALES'S DISCRETION. THALES DIS AIS DEUTSCHLAND GMBH GRANTS A NON-EXCLUSIVE RIGHT TO USE THE PRODUCT. THE RECIPIENT SHALL NOT TRANSFER, COPY, MODIFY, TRANSLATE, REVERSE ENGINEER, CREATE DERIVATIVE WORKS; DISASSEMBLE OR DECOMPILE THE PRODUCT OR OTHERWISE USE THE PRODUCT EXCEPT AS SPECIFICALLY AUTHORIZED. THE PRODUCT AND THIS DOCUMENT ARE PROVIDED ON AN "AS IS" BASIS ONLY AND MAY CONTAIN DEFICIENCIES OR INADEQUACIES. TO THE MAXIMUM EXTENT PERMITTED BY APPLICABLE LAW, THALES DIS AIS DEUTSCHLAND GMBH DISCLAIMS ALL WARRANTIES AND LIABILITIES. THE RECIPIENT UNDERTAKES FOR AN UNLIMITED PERIOD OF TIME TO OBSERVE SECRECY REGARDING ANY INFORMATION AND DATA PROVIDED TO HIM IN THE CONTEXT OF THE DELIVERY OF THE PRODUCT. THIS GENERAL NOTE SHALL BE GOVERNED AND CONSTRUED ACCORDING TO GERMAN LAW.

Copyright

Transmittal, reproduction, dissemination and/or editing of this document as well as utilization of its contents and communication thereof to others without express authorization are prohibited. Offenders will be held liable for payment of damages. All rights created by patent grant or registration of a utility model or design patent are reserved.

Copyright © 2021, THALES DIS AIS Deutschland GmbH

Trademark Notice

Thales, the Thales logo, are trademarks and service marks of Thales and are registered in certain countries.

Microsoft and Windows are either registered trademarks or trademarks of Microsoft Corporation in the United States and/or other countries.

Contents

0	Document History	4
1	Introduction	5
1.1	Supported Products	5
1.2	Related Documents	5
2	Getting Started with 4G Modem Cards	6
2.1	Technical Requirements	6
2.2	Connecting MLx31-W to the 4G Modem Card Adapter Board.....	6
2.3	Start Up the Modem Card	9
2.3.1	Script based Driver Installation	9
2.3.2	Enter SIM and go Online.....	10
2.3.3	Reading MLx31-W Properties.....	12
3	Appendix.....	13
3.1	4G Modem Card Adapter Board	13
3.1.1	Package Content	13
3.2	4G Modem Card Adapter Board Description	14
3.2.1	USB Variant	15
3.3	Power Supply Configuration	15
3.4	Configuration Switches and Jumper	15
3.5	Additional Connector.....	16

0 Document History

New document: "Getting Started with 4G Modem Card" Version 01

Chapter	What is new
---	Initial document setup.

1 Introduction

This document describes a ready-to-use development and test environment for the Thales 4G Modem Card.

The development and test environment comprises the following hardware components

- 4G Modem Card MLA31-W or MLP31-W
- 4G Modem Card Adapter Board

The purpose of this document¹ is to guide you through the process of connecting the hardware, installing the supplied drivers on a Microsoft® Windows 10 system and getting started with 4G Modem Card.

1.1 Supported Products

This document applies to the following Thales 4G Modem cards:

- Cinterion® MLA31-W
- Cinterion® MLP31-W

4G Modem Card in this document refers to all of the above mentioned product variants. Where necessary a note is made to differentiate between these product variants.

1.2 Related Documents

[1] MLx31-W Hardware Interface Description

¹ The document is effective only if listed in the appropriate Release Notes as part of the technical documentation delivered with your Thales module.

2 Getting Started with 4G Modem Cards

2.1 Technical Requirements

- MLx31-W (for details see [Figure 1](#) and [\[1\]](#))²
- corresponding driver package (USB)
- Computer running Windows 10, USB 3.0 Interface
- Local administrator privileges on the particular Windows computer to install and uninstall the drivers
- 4G Modem Card Adapter Board USB Variant (for details see [Section 3.1](#))
- Accessories for MLx31-W:
 - Two (MLA31-W) / four (MLP31-W) short 50 Ohms RF adapter cables with MHF4 type connectors to connect the appropriate MHF4 type connectors on the 4G Modem Card Adapter Board (supplied by Thales)
 - Two (MLA31-W) / four (MLP31-W) external 50 Ohms RF antennas with SMA connector to connect the SMA connector on the 4G Modem Card Adapter Board (supplied by Thales)
 - USB 3.0 cable (supplied by Thales)
- Appropriate application for controlling the module from within a PC's operating system. For Windows, e.g. Windows Hyperterminal
- (U)SIM from a UMTS/LTE network provider

2.2 Connecting MLx31-W to the 4G Modem Card Adapter Board

To properly connect the 4G Modem Card and all accessories to the 4G Modem Card Adapter Board please complete the steps listed below. The complete setup with the 4G Modem Card mounted onto the 4G Modem Card Adapter Board is shown in [Figure 2](#).

- Ensure that all jumpers and switches on the 4G Modem Card Adapter Board are set to their positions as shown in [Table 2](#) and [Table 3](#).
- Place Thermo Pad with the self adhesive side (remove protection foil) on the 4G Modem Card Adapter Board between M.2 Connector and retention screw hole for 42mm cards.
- Insert the 4G Modem Card into the M.2 connector on the 4G Modem Card Adapter Board and insert the screw to keep the 4G Modem Card in position and connected.
- Connect the MHF4 type connectors for the antennas on the 4G Modem Card Adapter Board (**MLA31-W**: MAIN, AUX1; **MLP31-W**: MAIN, AUX1, AUX2, AUX3) to the matching MHF4 type connectors on the 4G Modem Card.
- Screw the external antennas to the appropriate SMA connectors on the 4G Modem Card Adapter Board (**MLA31-W**: MAIN, AUX1; **MLP31-W**: MAIN, AUX1, AUX2, AUX3).
- Insert the (U)SIM card into the card reader for 1st SIM.
- Plug the USB 3.0 USB cable to the USB jack at the 4G Modem Card Adapter Board.

After connecting the 4G Modem Card with the 4G Modem Card Adapter Board, the 4G Modem Card can be switched on by connecting the other end of the USB cable to the PC. The initial startup and USB driver installation are described in [Section 2.3](#).

² For ordering information see [\[1\]](#).

2.2 Connecting MLx31-W to the 4G Modem Card Adapter Board

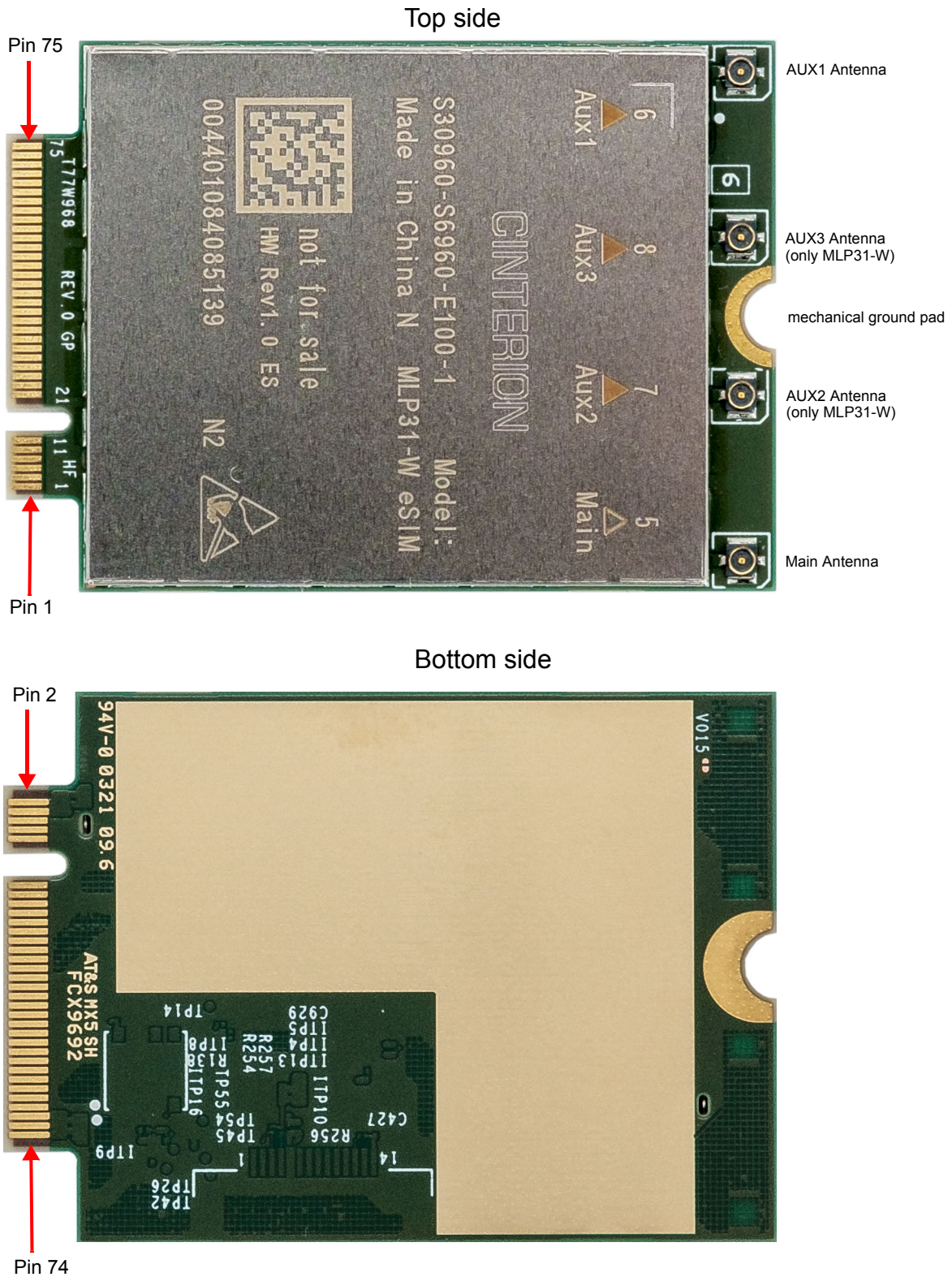


Figure 1: 4G Modem Card

2.2 Connecting MLx31-W to the 4G Modem Card Adapter Board

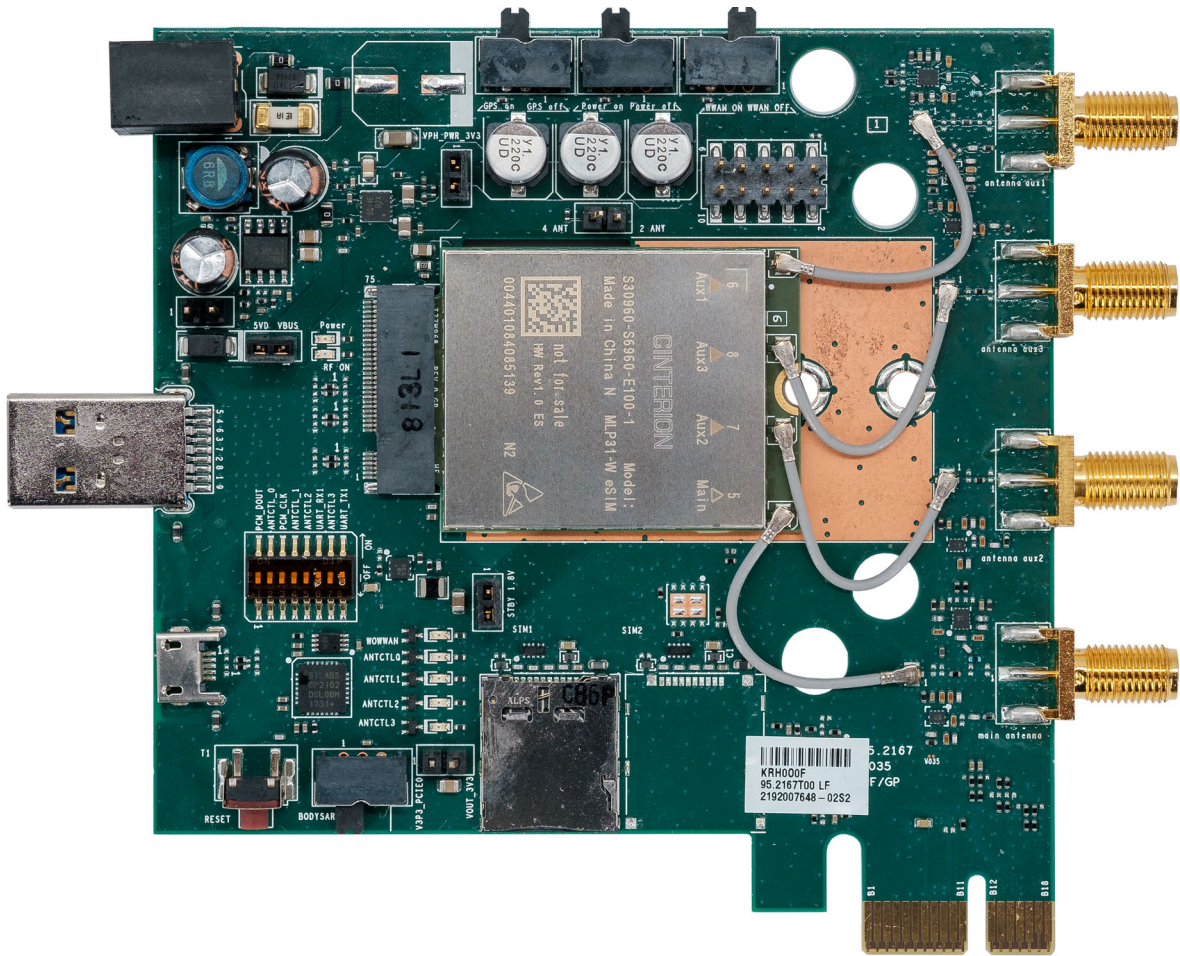


Figure 2: MLP31-W mounted on 4G Modem Card Adapter Board

2.3 Start Up the Modem Card

After connecting the 4G Modem Card to the 4G Modem Card Adapter Board as described in [Section 2.2](#), the 4G Modem can be used.

Note: The driver package provided by Thales needs to be available. Extract and Copy the supplied driver files to a folder on the Windows computer. Be sure to use the latest driver software supplied by Thales.

2.3.1 Script based Driver Installation

The drivers can be installed by command. Therefore connect the Starter Kit with your PC first. When unpacking the driver package, don't use space character in the folder path.

Then run as "Administrator" the command "pnputil.exe /add-driver <path/inf-file> /install" for each inf-File in the sequence given in [Table 1](#).

After running the commands the interfaces shown in [Table 1](#) should be installed.

After successful driver installation the installed devices are listed in the Windows Device Manager (see [Table 1](#)).

Table 1: Installed Interfaces for USB

Interface	Device Type	inf-File	Sequence
Generic Mobile Broadband Adapter	Network adapters	by Windows 10	
Cinterion PID 0x006D USB Modem	Modems	qcmdm.inf	3
Cinterion PID 0x006D USB Diagnostics (COM14) ¹	Ports (COM & LPT)	qcser.inf	4 (last)
Cinterion PID 0x006D USB NMEA (COM15) ¹	Ports (COM & LPT)	qcser.inf	
Cinterion PID 0x006D USB Application (COM16) ¹	Ports (COM & LPT)	qcser.inf	
Cinterion PID 0x006D USB GNSS QMUX	System devices	qmuxmdm.inf	1 (first)
Cinterion PID 0x006D USB GNSS	System devices	qcgss.inf	2
ADB Interface	Universal Serial Bus Devices	by Windows 10	

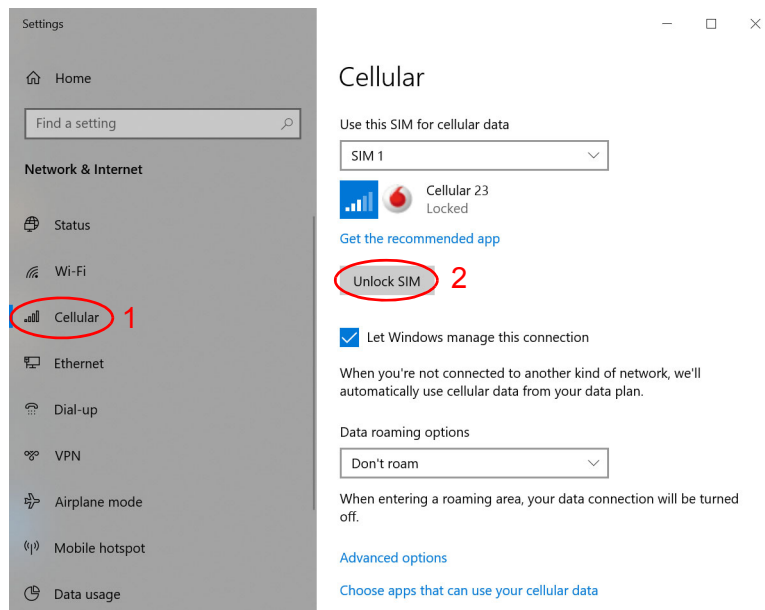
¹. COM Port number depends on the Host configuration

2.3 Start Up the Modem Card

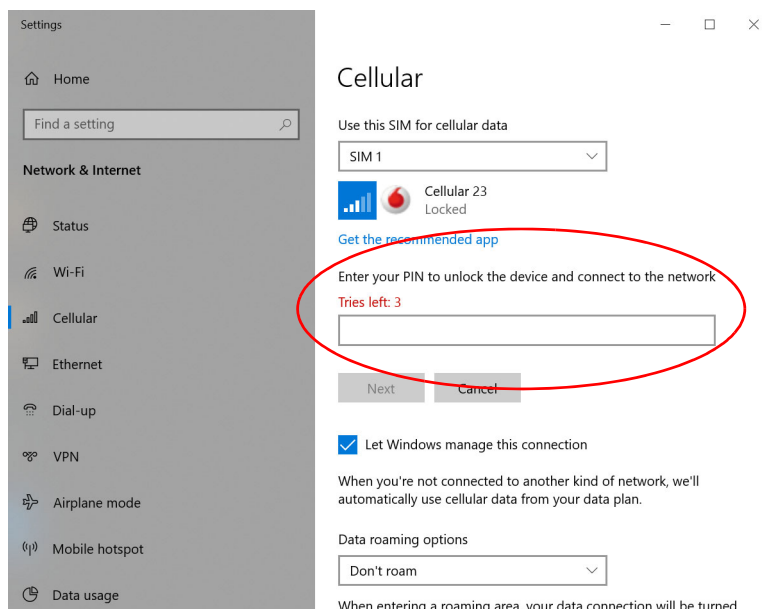
2.3.2 Enter SIM and go Online

The following steps will show how to enter the SIM PIN for going Online with MLx31-W:

1. When the used SIM is locked by a PIN, Windows 10 will inform you, that the PIN is required. Click on this message or go to "Network Connections" (Click on "Start" with left mouse button and select "Network connection", "Cellular" (1) and then "Unlock SIM" (2).

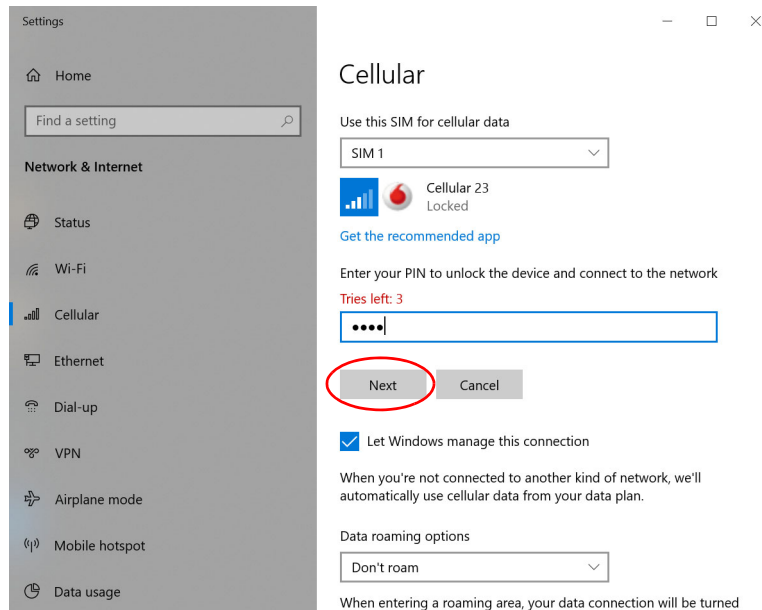


2. Enter your PIN

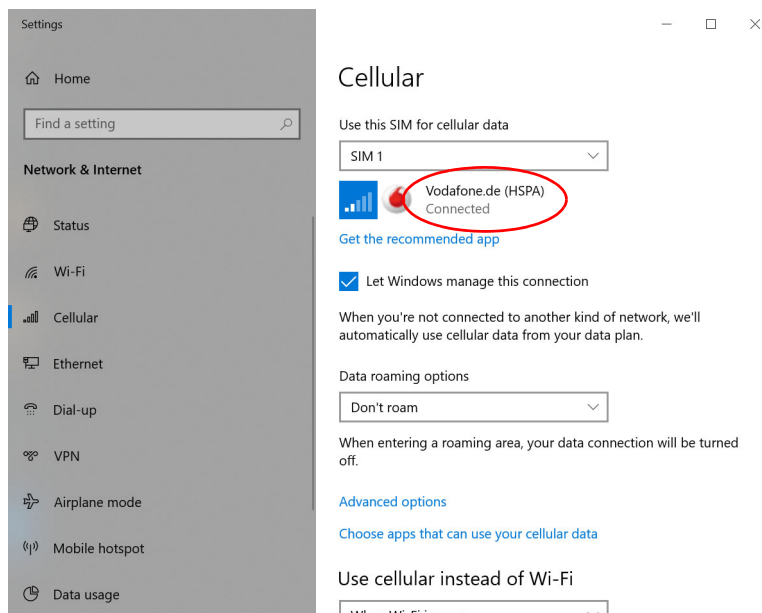


2.3 Start Up the Modem Card

3. After entering the PIN press button "Next"



4. After successful registration to the network Windows 10 will show "Connected"

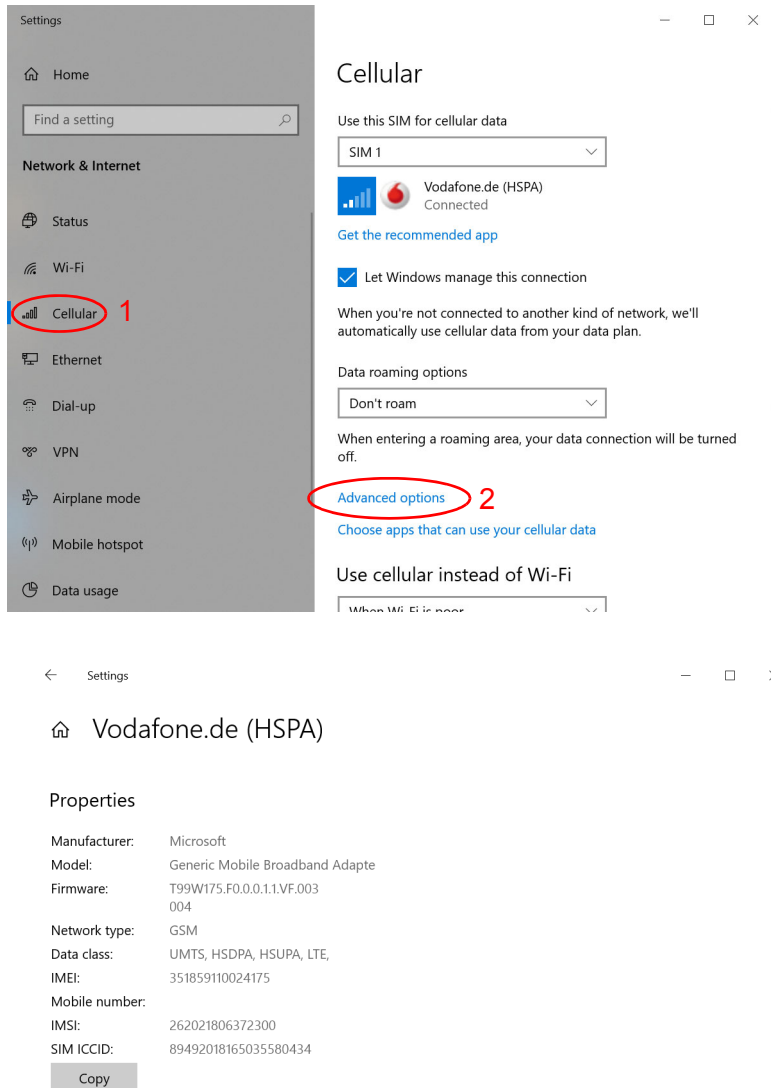


Now you can open a Internet Browser and go Online.

2.3 Start Up the Modem Card

2.3.3 Reading MLx31-W Properties

To read the properties (Firmware version, IMEI, ...) of MLx31-W go to "Network Connections" (Click on "Start" with left mouse button and select "Network connection" and then, "Cellular" (1). Under "Advanced Option" (2) the firmware version of the MLx31-W will be shown.



Additionally "Metered Connection", "APN settings" can be configured and the SIM PIN can be changed or removed too.

3 Appendix

3.1 4G Modem Card Adapter Board

3.1.1 Package Content

The 4G Modem Card Adapter Board (Figure 3 A) will be delivered together with

- 1 USB 3.0 cable (Figure 3 B)
- 1 USB cable with USB-C connector (Figure 3 C)
- 4 MHF4 type antenna cables (Figure 3 D)
- 4 UMTS/LTE/NR antennas (Figure 3 E)
- 1 Thermal Pad (Figure 3 F)
- 1 Screw to fix M.2 Card (Figure 3 G)
- 4 MHF4 to SMA antenna cables including washers and nuts (Figure 3 H)

GNSS Antenna and Power supply are not part of the 4G Modem Card Adapter Board delivery.

Ordering Number: L30960-N6951-A100

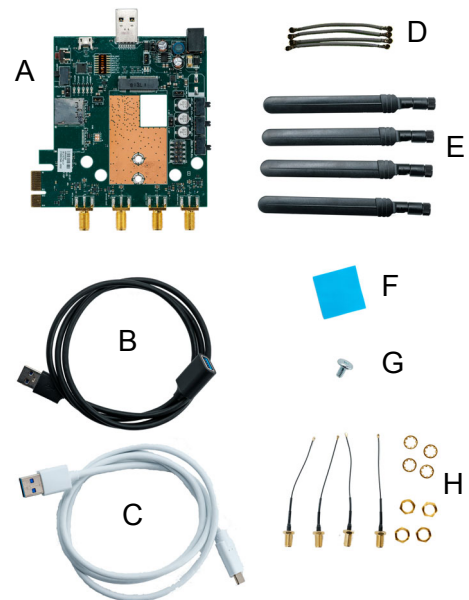


Figure 3: 4G Modem Card Adapter Board Kit

3.2 4G Modem Card Adapter Board Description

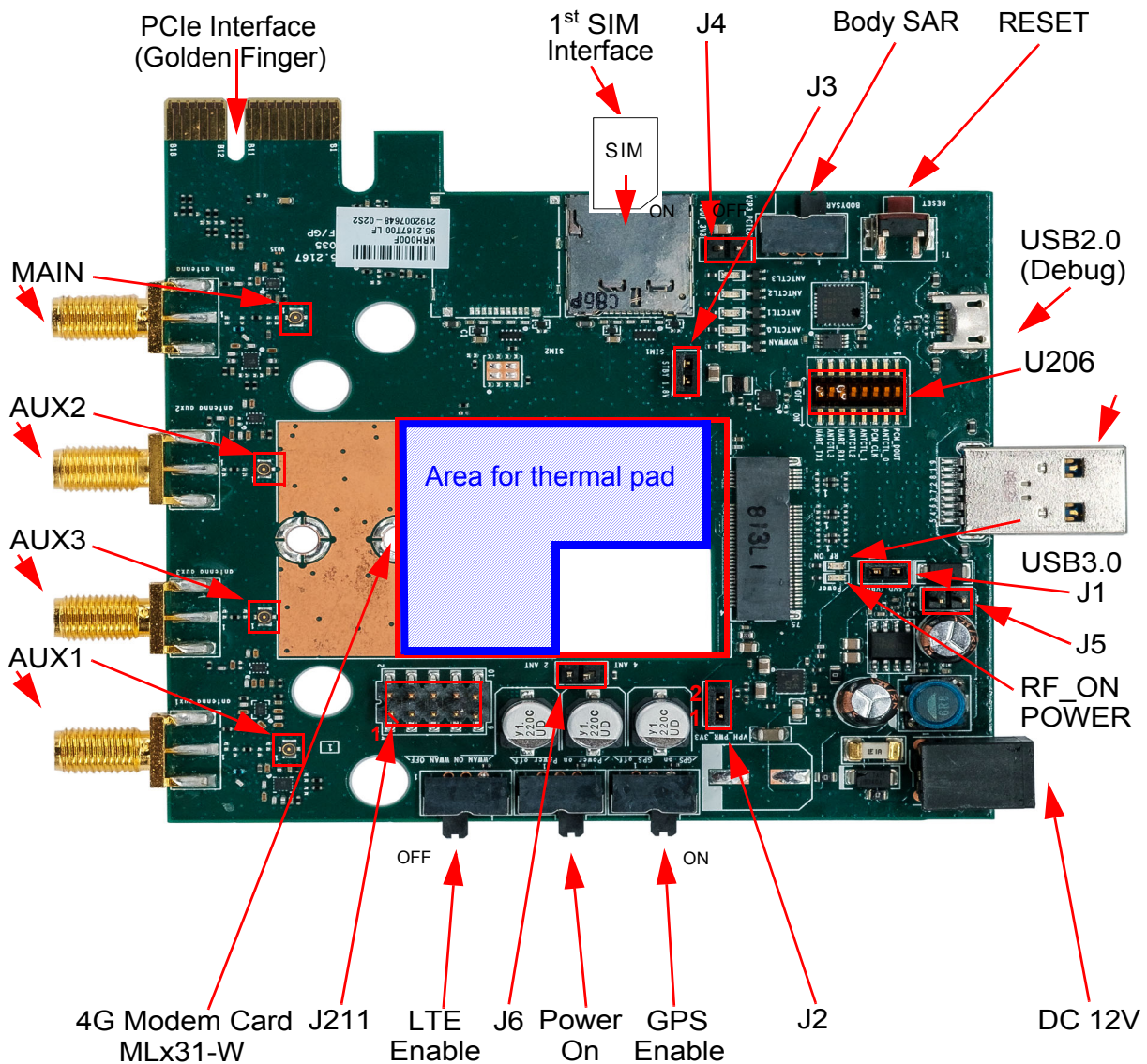


Figure 4: LTE Modem Card Adapter Board Jumper and Connectors

3.2.1 USB Variant

3.3 Power Supply Configuration

The 4G Modem Card Adapter Board can be powered over USB3.0, PCIe interface or by an external power supply. For configuration see [Table 2](#)

Table 2: Power Supply Configurations

		J1	J2	J3	J4	J5
1	Powered by USB3.0	mounted	mounted	mounted	removed	removed
2	Powered by PCIe Interface (Golden Finger)	removed	mounted	mounted	mounted	removed
3	Powered external 12V (see Figure 5)	removed	mounted	mounted	removed	mounted
4	Bypass 3.3V voltage regulator	removed	inject PIN1	mounted	removed	removed

For the position of the Jumpers see [Figure 4](#).

To connect an external 12V DC power supply with the 4G Modem Card Adapter Board, the external power supply should have a co-axial power plug with 5.5 mm (0.22 in) in outside diameter and a pin sizes of 2.5 mm (0.098 in).

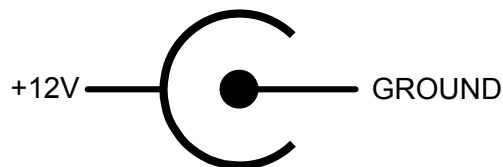


Figure 5: Polarity of 12V DC Jack

3.4 Configuration Switches and Jumper

The following [Table 3](#) show the recommended switch configuration.

Table 3: Switch Configuration U206

	1	2	3	4	5	6	7	8
Catch Logs	-- ¹	-- ¹	-- ¹	-- ¹	OFF	ON	OFF	ON
ANTCTL	OFF	ON	OFF	ON	ON	OFF	ON	OFF
PCM	ON	OFF	ON	OFF	-- ²	-- ²	-- ²	-- ²

¹. Switch 1-4 can have the setting for ANTCTL or PCM

². Switch 5-8 can have the setting for Catch Logs or ANTCTL

The [Table 4](#) shows the detailed function of the required switches.

3.5 Additional Connector

Table 4: Switch Configuration in detail

Switch Block	Switch	Function when ON	Delivery State
U206	1	PCM_DOUT	OFF
	2	ANTCTL_0	OFF
	3	PCM_CLK	OFF
	4	ANTCTL_1	OFF
	5	ANTCTL2	OFF
	6	UART_RX1	OFF
	7	ANTCTL3	OFF
	8	UART_TX1	OFF

For the position of the switches see [Figure 4](#).

For MLP31-W only:
 Jumper 6 selects between 4x4 MIMO and 2x2 MIMO.

Table 5: Antenna configuration J6

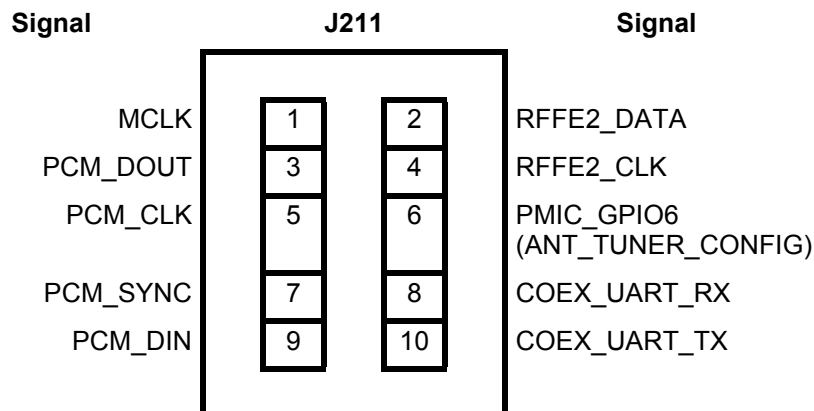
J6	Description
mounted	4x4 MIMO antennas
unmounted	2x2 MIMO antennas

For the position of Jumper J6 see [Figure 4](#).

3.5 Additional Connector

J211 ([Table 6](#)) provides additional signals, which are not available at the standard interfaces. For the position of J211 see [Figure 4](#).

Table 6: Signals at Jumper on J211





THALES DIS AIS Deutschland GmbH
Werinherstrasse 81
81541 Munich
Germany

THALES