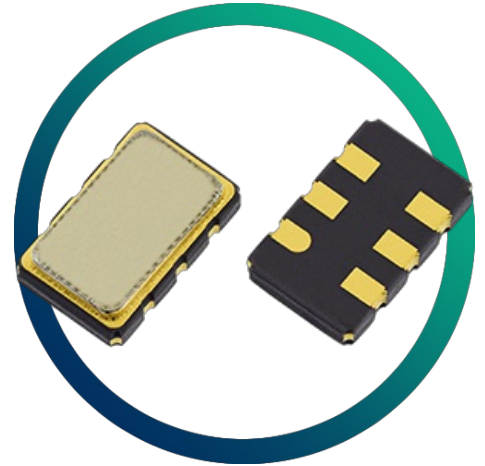


# GVXO-533

## 3.3V 6-pad high frequency VCXO with inverted mesa technology



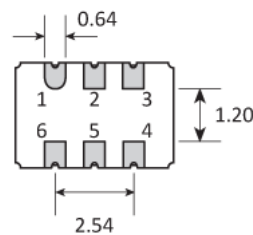
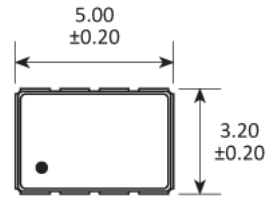
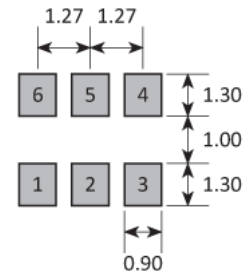
- High frequency using mesa technology
- Choice of pullability and stability
- Enable / disable tristate function
- Miniature SM package

### CONFIGURABLE OPTIONS

| Parameter                   | Option Code |
|-----------------------------|-------------|
| Frequency                   |             |
| Frequency pullability       |             |
| Any                         |             |
| ±100ppm min (<80MHz only)   | S           |
| ±50ppm min                  | N           |
| Frequency stability         |             |
| Any                         |             |
| ±50ppm max                  | B           |
| ±25ppm max (<52MHz only)    | C           |
| Operating temperature range |             |
| Any                         |             |
| -10 to +70 °C               |             |
| -40 to +85 °C               | I           |

**SPECIFICATIONS**

|  |   |
|--|---|
| Frequency range                            | 1.0 ~ 125MHz  |
| Dimensions                                 | 5.0 x 3.2 x 1.5mm   |
| Voltage control                            | +1.65V ±1.50V, 10% linearity  |
| Storage temperature range                  | -40 to +85 °C   |
| Supply voltage (V <sub>DD</sub> )          | +3.3V (±5%)   |
| Supply current                             | 15mA max (1.0 ~ 30.0MHz)<br>25mA max (>30.0 ~ 52.0MHz)<br>35mA max (>52.0MHz) |
| Driving ability                            | 15pF CMOS   |
| Logic levels                               | '0' level = 10%V <sub>DD</sub> max<br>'1' level = 90%V <sub>DD</sub> min      |
| Waveform symmetry                          | 40:60 max @ 50%V <sub>DD</sub>  |
| Rise / fall time (20%~80%V <sub>DD</sub> ) | 5ns max   |
| Start up time                              | 10ms max  |
| Enable / disable function                  | Tristate (control via pad 2)  |

**PACKAGE DRAWING**

**SOLDER PAD LAYOUT**


TOP VIEW

| PAD | CONNECTION       |
|-----|------------------|
| 1   | Control voltage  |
| 2   | Enable / disable |
| 3   | Ground           |
| 4   | Output           |
| 5   | Not connected    |
| 6   | Supply           |

Dimensions in mm

## ORDERING INFORMATION

To request a quotation for the GVXO-533 please use the configurable options form to choose the options you require and then submit your configured product to our team. Our expert advisers are always happy to help with your requirements and can be contacted on +44 1460 256 100 or at [sales@golledge.com](mailto:sales@golledge.com).

Once we've received your request our expert team will then produce a quotation tailored to meet your needs using the option codes you've selected.

Following product selection you will be issued with a seven character Golledge part number. Your Golledge part number is the internationally accepted Golledge manufacturing part number (MPN) that should be used for all project documentation, including bills of materials (BoMs) and purchase orders.

If you have any queries regarding any of our documentation our dedicated sales team will be happy to help.

## ENABLE / DISABLE FUNCTION

| Input (pad 2) | Output (pad 4) |
|---------------|----------------|
| Open          | Enabled        |
| '1' level     | Enabled        |
| '0' level     | High Impedance |

## MARKING

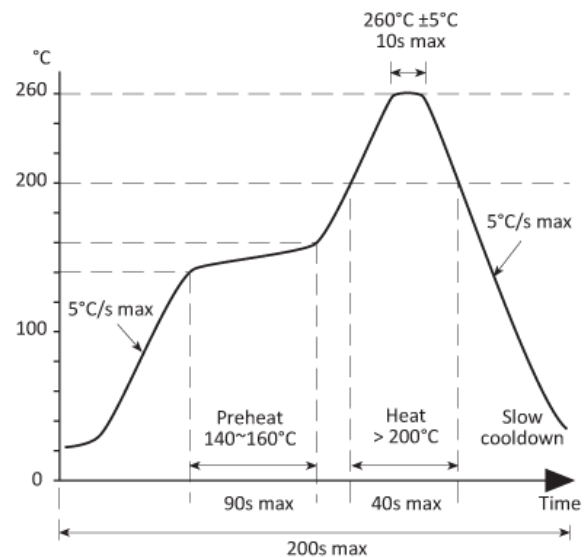
|           |    |
|-----------|----|
| FREQUENCY |    |
| PARTNO    |    |
| •         | DC |

- Pin 1
- Marking type: Laser

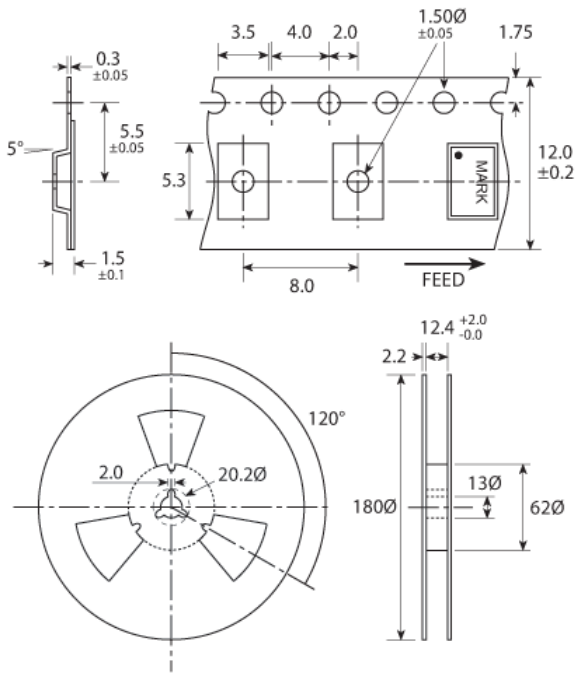
DC = Date Code in YM, eg. "GF" = Jun 2017

|   | A   | B   | C   | D   | E   | F   | G   | H   | J   | K   | L   | M   |
|---|-----|-----|-----|-----|-----|-----|-----|-----|-----|-----|-----|-----|
| Y | 1   | 2   | 3   | 4   | 5   | 6   | 7   | 8   | 9   | 0   |     |     |
| M | Jan | Feb | Mar | Apr | May | Jun | Jul | Aug | Sep | Oct | Nov | Dec |

## SOLDERING PROFILE



## TAPE & REEL SPECIFICATION



Dimensions in mm

## CONSTRUCTION

Ceramic body with gold-plated pads  
Metal lid, seam sealed

## HANDLING & STORAGE



Human Body Model (HBM) 1A (250V to <500V)



Moisture Sensitivity Level (MSL): 1 (or not applicable)

## COMPLIANCE



Lead-free (< 0.1% by weight)



RoHS compliant with no exemptions. [See our declaration](#)



REACH compliant. [See our statement](#)



Free of conflict minerals. [See our declaration](#)



Free of Halogens. [See our declaration](#)



Free of Ozone-depleting substances. [See our declaration](#)