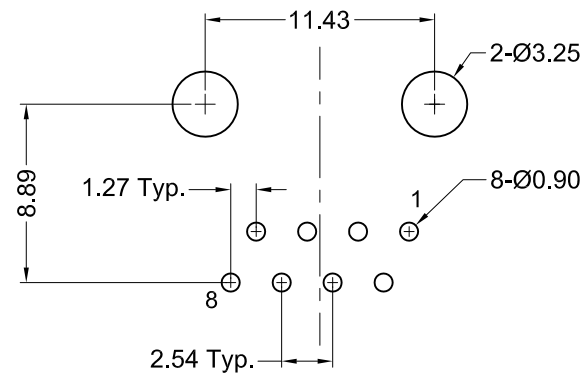


Recommended PCB Layout  
(Top View)



**Materials and Finish**

Housing: PBT Thermoplastic  
UL 94V-0 Rated  
Color: Black

Contact Material:  
Phosphor Bronze

**Plating Options:**

Standard: Nickel Underplating,  
Gold Flash Plated on Contact Area,  
Tin Plated on Solder Area

50 Option: Nickel Underplating,  
Contact Area Plated with 50u" Gold  
to Comply with ANSI/TIA-1096-A  
Tin Plated on Solder Area

**Electrical Characteristics**

Rated Current: 1.5A  
Rated Voltage: 125V DC  
Insulation Resistance:  
500 Megohms Min.  
Contact Resistance:  
20 milliohms Max.  
Dielectric Withstanding Voltage:  
1000V AC for 1 Minute

**Mechanical Characteristics**

Durability Rating:  
750 Mating Cycles Min.  
Operating Temperature:  
-40°C to +85°C

**Ordering Information**

Part Number	Contact Area Plating Finish
GSX-N-88	Gold Flash (standard)
GSX-N-88-50	50u" Gold (50 option)

**Tolerances**

X.X ± 0.35  
X.XX ± 0.25  
Unless Stated  
Otherwise



REV.	DATE	DESCRIPTION	REV. BY	CHK. BY	DRAWN BY	DATE
A1	6/30/05	New Drawing	R. Aguirre	H. MA	R. Aguirre	05/26/05
A2	05/13/10	ECO #10-025	S. Vien	H. MA		
A3	07/14/10	ECO #10-048	S. Vien	H. MA		
A4	07/06/12	ECO #12-039	S. Vien	P. DalCanto	UNITS	mm
A5	12/11/13	ECO #13-090	D. Gih	H. MA		
A6	07/23/15	ECO #15-001	H. MA	C. Furumasu		

**GSX-N-88**

Rt. Ang Modular Jack, RoHS Compliant

8 Position/ 8 Contacts, Non-Shielded

