

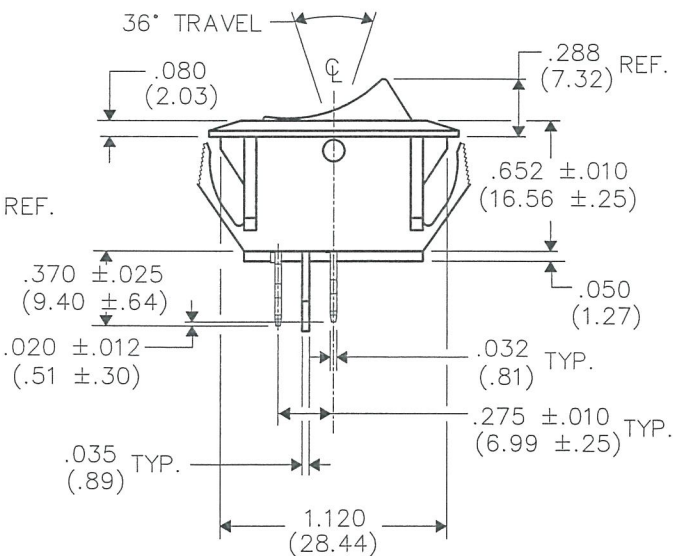
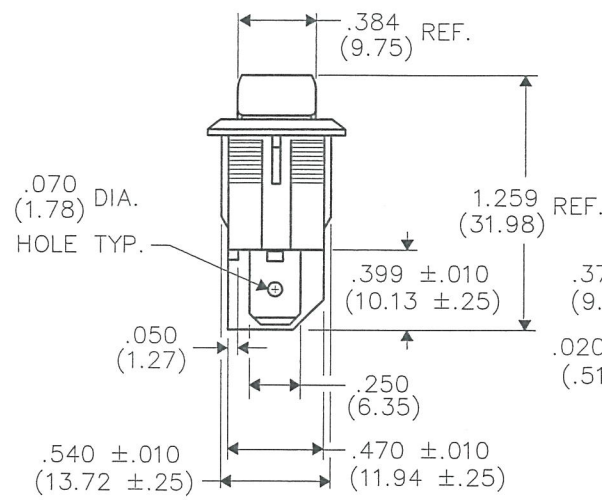
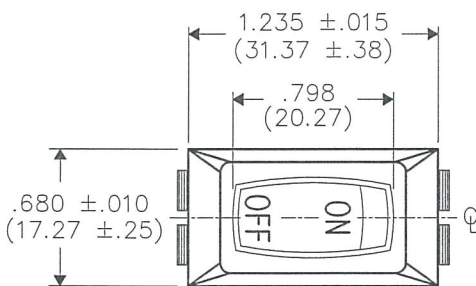
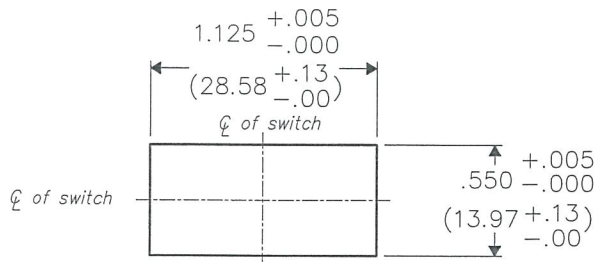
THIS INFORMATION IS CONFIDENTIAL AND PROPRIETARY TO CW INDUSTRIES INCORPORATED AND ITS AFFILIATES. IT MAY NOT BE DISCLOSED TO ANYONE OTHER THAN CW INDUSTRIES PERSONNEL, WITHOUT WRITTEN AUTHORIZATION FROM CW INDUSTRIES INCORPORATED, SOUTHAMPTON, PENNSYLVANIA USA.

F
D
C
B
A

DIMENSIONS IN INCHES (MILLIMETERS)
 DO NOT SCALE DRAWING

Dwg. No.
GRS-2011-2055

PANEL PIERCING



SWITCH COLOR - White
 LEGEND COLOR - Gold

SWITCH RATINGS:
 UL & CSA
 16A. 125VAC 12A. 250VAC
 3/4 H.P. 125-250 VAC
 10A. 14V (T)

1 2 3 4 5 6 7 8 9 10

B-FORMAT 2002	REVISIONS	RELEASED: DGW 7-01-13 J 9 2013								
---------------	------------------	--------------------------------------	--	--	--	--	--	--	--	--

PDF MADE	CW INDUSTRIES Southampton, Pa. 18966		Title: ROCKER SWITCH ASSEMBLY S.P.S.T. NON-POLARIZED W/BARRIER 1.125" x .550" PANEL		
	TOLERANCES UNLESS OTHERWISE SPECIFIED 2 Place Decimal ±.010 METRIC 3 Place Decimal ±.005 1 Place Dec. ±.25mm Angles ±1' 2 Place Dec. ±.13mm				
	Made for: CW IND.		Division: SWITCH		
	Drawn by: DGW 7-01-13		Dwg. No. GRS-2011-2055		
		Checked by: <i>G. Guld 7-2-13</i>			
		Approval: <i>G. Guld 7-2-13</i>			

MASTER