

- 1
- 2
- 3
- 4
- 5
- 6
- 7
- 8
- 9
- 10
- 11
- 12
- 13
- 14
- 15
- 16
- 17
- 18

GUIDE PROFILE

Polyethylene based (HMWPE) technopolymer, natural colour.

BRACKET

AISI 304 stainless steel

FEATURES AND APPLICATIONS

GLT guide rail for the side guide of products with a good stability on conveyor belts (Fig.1), without leaving traces on the containers. High molecular weight polyethylene (HMWPE) has a high wear resistance; it is particularly suitable for high-speed movements due to its low coefficient of friction. Supplied in bars of 1500 or 3000 mm length.

SPECIAL EXECUTIONS ON REQUEST

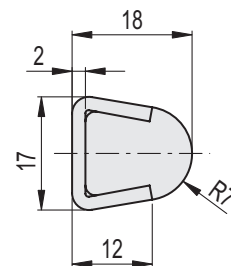
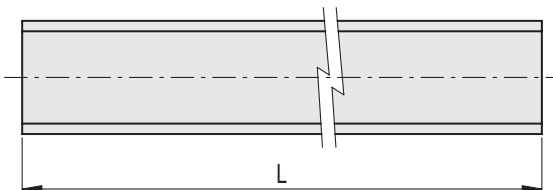
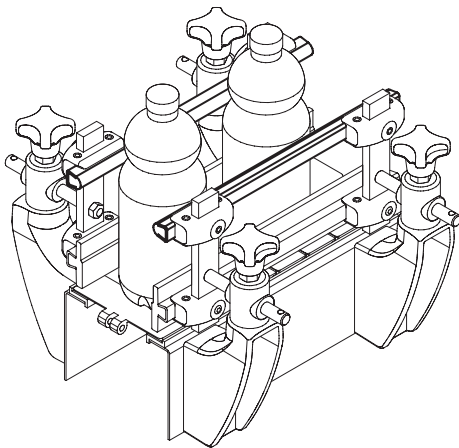
Guide rails in blue colour RAL 5005.

ACCESSORIES ON REQUEST

Guide rail clamps MPG-T (on page -), MPG-2T (on page -), MPG-T-S (on page -).



Fig.1



INOX STAINLESS STEEL METRIC

Code	Description	L	⚖
419197	GLT-14R7-3000	3000	2070
419196	GLT-14R7-1500	1500	1038