

- 1
- 2
- 3
- 4
- 5
- 6
- 7
- 8
- 9
- 10
- 11
- 12
- 13
- 14
- 15
- 16
- 17
- 18

GUIDE PROFILE

Polyethylene based (HMWPE) technopolymer, natural colour.

BRACKET

AISI 304 stainless steel.

STANDARD EXECUTIONS

- GLP-12: contact surface width of about 12 mm.
- GLP-32: contact surface width of about 32 mm.

FEATURES AND APPLICATIONS

GLP guide rails are used for the side guide of products with different dimensions on conveyor belts (Fig.1), without leaving traces on the containers.

High molecular weight polyethylene (HMWPE) has a high wear resistance; it is particularly suitable for high-speed movements due to its low coefficient of friction.

Depending on the product to transport, it is recommended to use:

- GLP-12: for the guide of products with limited dimensions or for GLP-32 support (Fig.2);
- GLP-32: for the guide of products with important vertical dimensions. Supplied in bars of 1500 or 3000 mm length.

ACCESSORIES ON REQUEST

Guide rail clamps MPG-T-S, MPG-2T, MPG-T.

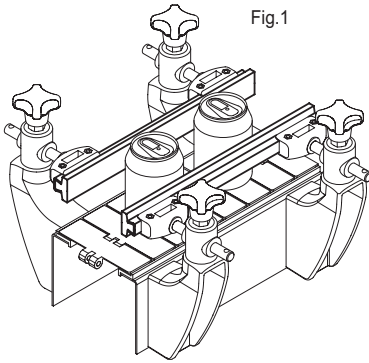


Fig.1

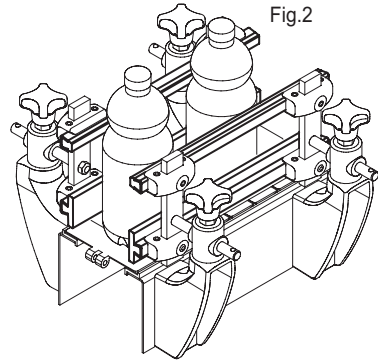
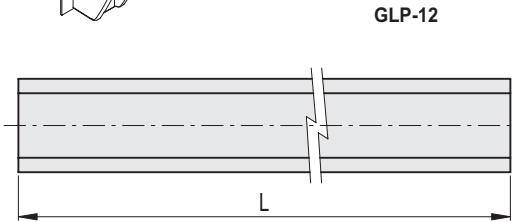
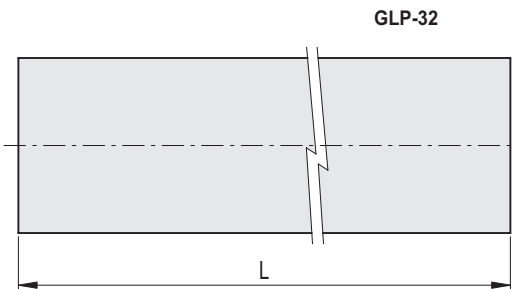
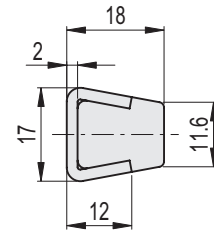


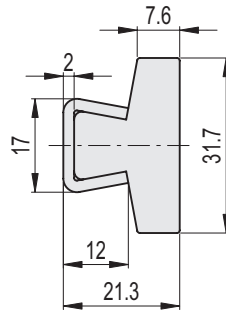
Fig.2



GLP-12



GLP-32



Levelling feet and supports

GLP-12

INOX STAINLESS STEEL METRIC

Code	Description	L	⚖
419204	GLP-12-1500	1500	1038
419201	GLP-12-3000	3000	2070

GLP-32

INOX STAINLESS STEEL METRIC

Code	Description	L	⚖
419205	GLP-32-1500	1500	1320
419202	GLP-32-3000	3000	2640