

MATERIAL

Polyethylene based (HMWPE) technopolymer, black colour.

STANDARD EXECUTIONS

- **GLC-20**: with ledge 20 mm.
- **GLC-40**: with ledge 40 mm.

FEATURES AND APPLICATIONS

GLC guide rails are used for the side guide of products with different vertical dimensions on conveyor belts.

High molecular weight polyethylene (HMWPE) has a high wear resistance; it is particularly suitable for high-speed movements due to its low coefficient of friction.

Depending on the product to transport, it is recommended to use:

- **GLC-20**: for the guide of products with limited vertical dimensions (Fig.1);
- **GLC-40**: for the guide of products with important vertical dimensions (Fig.2);

Supplied in bars of 1500 or 3000 mm length.

SPECIAL EXECUTIONS ON REQUEST

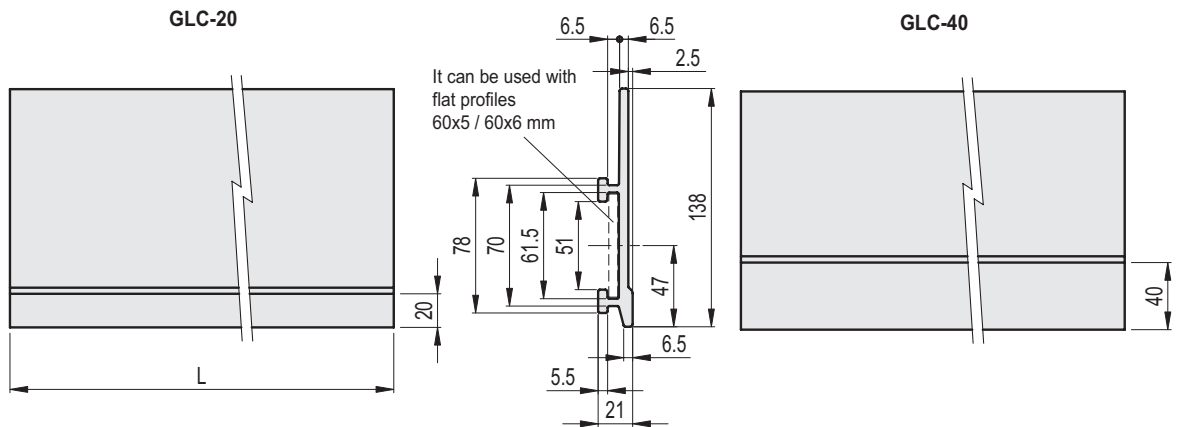
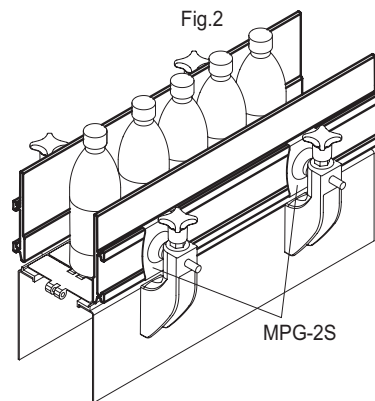
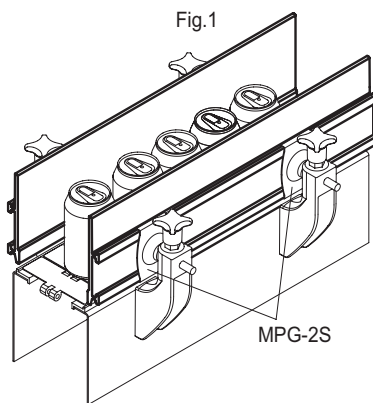
Guide rails in different colours.

ACCESSORIES ON REQUEST

Guide rail clamps MPG-2S (see page -).



- 1
- 2
- 3
- 4
- 5
- 6
- 7
- 8
- 9
- 10
- 11
- 12
- 13
- 14
- 15
- 16
- 17
- 18



GLC-20 **METRIC**

Code	Description	L	Δ
419195	GLC-138-20-1500	1500	1650
419191	GLC-138-20-3000	3000	3300

GLC-40 **METRIC**

Code	Description	L	Δ
419194	GLC-138-40-1500	1500	1650
419192	GLC-138-40-3000	3000	3300

Levelling feet and supports