

- 1
- 2
- 3
- 4
- 5
- 6
- 7
- 8
- 9
- 10
- 11
- 12
- 13
- 14
- 15
- 16
- 17
- 18

PROFILE

Anodised aluminium, natural colour, matte finish.

PINS SUPPORT

Acetal resin based (POM) technopolymer, white colour.

PINS

AISI 304 stainless steel.

ROLLERS

Polyethylene based (PE) technopolymer, grey colour.

STANDARD EXECUTIONS

- GLA-2-RS: with shaped rollers, spherical contact.
- GLA-2-RC: with cylindrical rollers.
- GLA-2-RT: with shaped rollers, cylindrical contact.

FEATURES AND APPLICATIONS

GLA-2 side guides are self-supporting structures for the side guide of products with important vertical dimensions on conveyor belts (Fig.1).

Depending on the product to transport, it is recommended to use:

- GLA-2-RS: for the guide of products in cans or in plastic containers;
- GLA-2-RC: for the guide of cardboard products, for a greater fluency;
- GLA-2-RT: for the guide of glass products, in case of accidental breakage they facilitate the expulsion of debris.

Supplied assembled in bars of 1440 or 3000 mm length.

SPECIAL EXECUTIONS ON REQUEST

- Side guides with rollers in different colours.
- Side guides with pins in acetal resin based (POM) technopolymer.

ACCESSORIES ON REQUEST

- BDG: zinc-plated steel connecting bar for guides.
- TGL: closing cap for guides.
- PGL-2: separation block for side guide.
- MPG-P: assembly pin.
- MPG-V: zinc-plated steel hammer head screw. (see GLA-1).

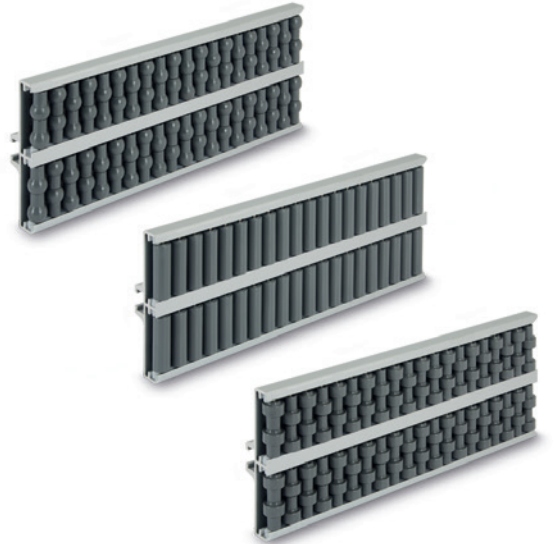
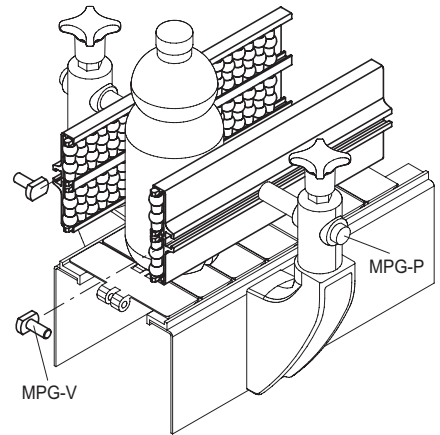


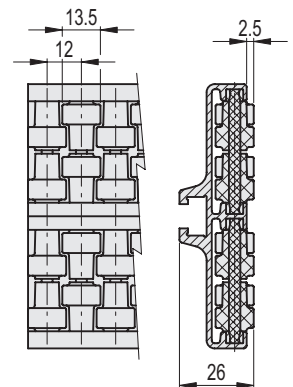
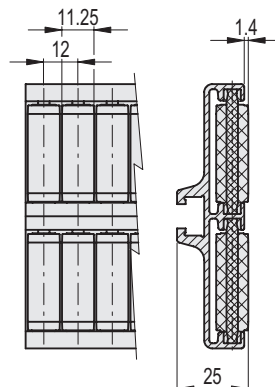
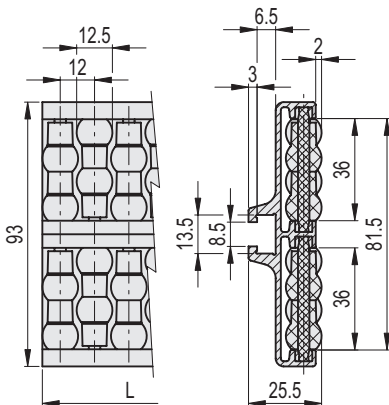
Fig.1



GLA-2-RS

GLA-2-RC

GLA-2-RT



GLA-2-RS

METRIC

Code	Description	L	⚖
419115	GLA-2-RS-93-1440	1440	3170
419111	GLA-2-RS-93-3000	3000	6600

GLA-2-RC

METRIC

Code	Description	L	⚖
419114	GLA-2-RC-93-1440	1440	3170
419112	GLA-2-RC-93-3000	3000	6600

GLA-2-RT

INOX STAINLESS STEEL METRIC

Code	Description	L	⚖
419116	GLA-2-RT-93-1440	1440	3170
419113	GLA-2-RT-93-3000	3000	6600