

- 1
- 2
- 3
- 4
- 5
- 6
- 7
- 8
- 9
- 10
- 11
- 12
- 13
- 14
- 15
- 16
- 17
- 18

**PROFILE**

Anodised aluminium, natural colour, matte finish.

**PINS SUPPORT**

Acetal resin based (POM) technopolymer, white colour.

**PINS**

AISI 304 stainless steel.

**ROLLERS**

Polyethylene based (PE) technopolymer, grey colour.

**STANDARD EXECUTIONS**

- GLA-1-RS: with shaped rollers, spherical contact.
- GLA-1-RC: with cylindrical rollers.
- GLA-1-RT: with shaped rollers, cylindrical contact.

**FEATURES AND APPLICATIONS**

GLA-1 side guides are self-supporting structures for the side guide of products with limited vertical dimensions on conveyor belts (Fig.1).

Depending on the product to transport, it is recommended to use:

- GLA-1-RS: for the guide of products in cans or in plastic containers;
- GLA-1-RC: for the guide of cardboard products, for a greater fluency;
- GLA-1-RT: for the guide of glass products, in case of accidental breakage they facilitate the expulsion of debris.

Supplied assembled in bars of 1440 or 3000 mm length.

**SPECIAL EXECUTIONS ON REQUEST**

- Side guides with rollers in different colours.
- Side guides with pins in acetal resin based (POM) technopolymer.

**ACCESSORIES ON REQUEST**

- BDG: zinc-plated steel connecting bar for guides.
- TGL: closing cap for guides.
- PGL-1: separation block for side guide.
- MPG-P: assembly pin.
- MPG-V: zinc-plated steel hammer head screw.

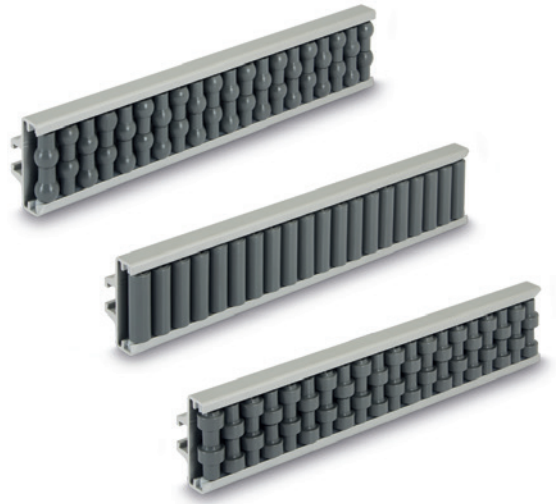
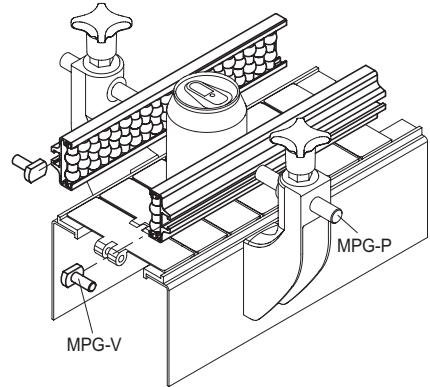
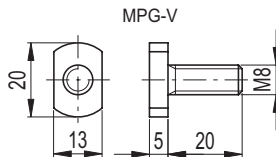


Fig.1



**MPG-V**

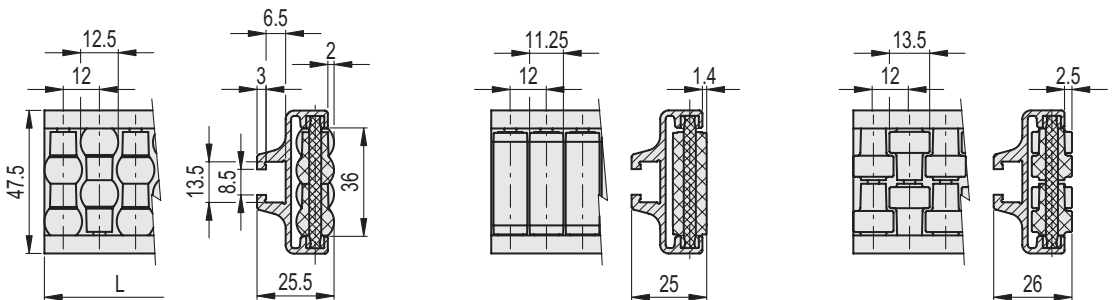
Code	Description	⚖️
419693	MPG-V-p-M8x20	15



**GLA-1-RS**

**GLA-1-RC**

**GLA-1-RT**



**GLA-1-RS**

**METRIC**

Code	Description	L	⚖️
419104	GLA-1-RS-48-1440	1440	1630
419101	GLA-1-RS-48-3000	3000	3400

**GLA-1-RC**

**METRIC**

Code	Description	L	⚖️
419105	GLA-1-RC-48-1440	1440	1630
419102	GLA-1-RC-48-3000	3000	3400

**GLA-1-RT**

**INOX STAINLESS STEEL METRIC**

Code	Description	L	⚖️
419106	GLA-1-RT-48-1440	1440	1630
419103	GLA-1-RT-48-3000	3000	3400