



MADE IN THE USA

Product Description:

- Glove Box Dispenser - Quad
- Holds four boxes of gloves
- Keyholes for wall mounting
- Quartz Beige ABS Plastic

Primary Area for Product Usage:

- Anywhere gloves are needed

Dispenses:

- Box(es) no larger than 10.00"W x 5.50"H x 3.75"D (25.4 cm x 14.0 cm x 9.5 cm)
- Box(es) no smaller than 9.00"W x 4.50"H x 3.00"D (22.9 cm x 11.4 cm x 7.6 cm)

Package Specifications:

- Package Quantity: 2 per case
- 20"L x 16"W x 12"H (50.8 cm x 40.6 cm x 30.5 cm)
- 6.0 lbs (2.7 kg) - approximated

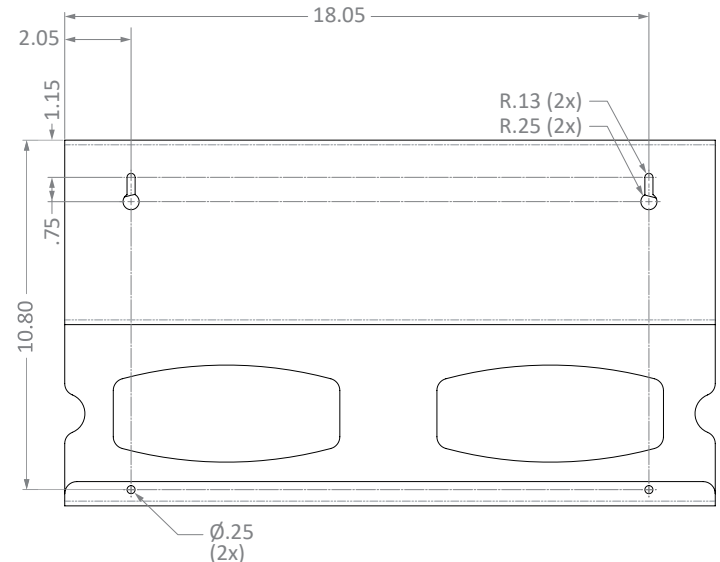
Product Specifications (overall external dimensions):

- 20.10"W x 11.30"H x 3.95"D (51.1 cm x 28.7 cm x 10.0 cm)
- 2.1 lbs (0.9 kg) - approximated

Mounting Specifications:

Related Products (each sold separately):

- GL143-0111: Glove Box Dispenser - Quad (shown below)

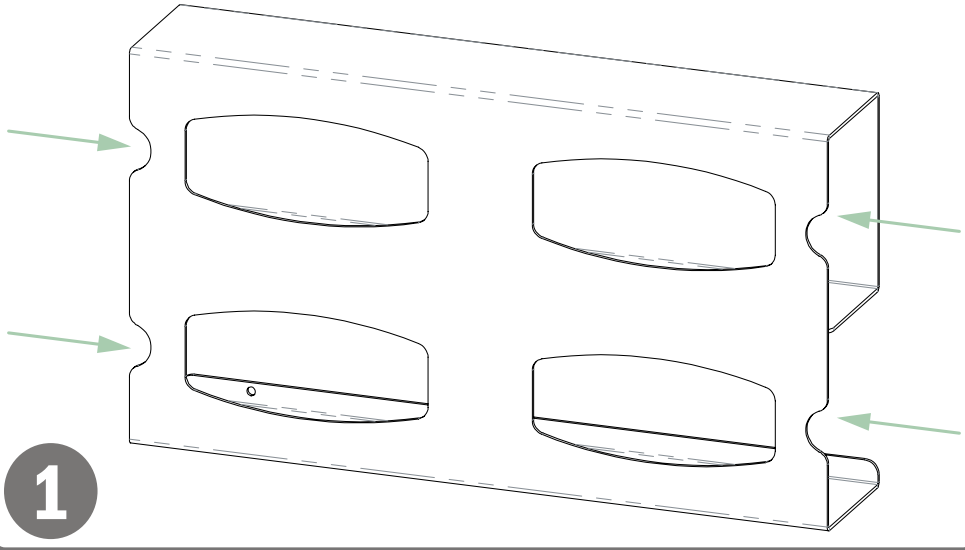




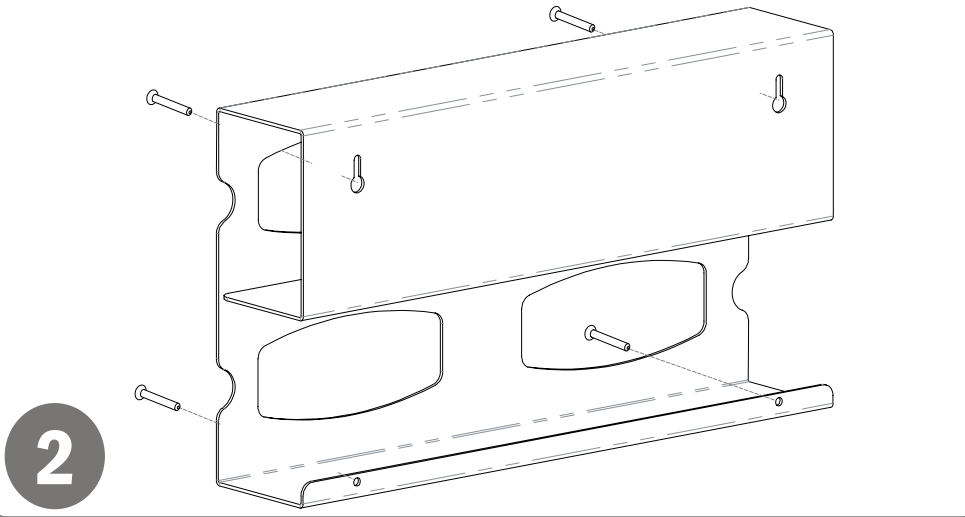
Installation

Always mount dispensers securely *prior* to loading with product.

- Open on both sides for left or right loading.



- Mount securely to a wall with screws approved and supplied by building maintenance.
- Ensure bottom is level prior to mounting with lower screws.



Parts included:

- Dispenser

Tools Required:

- No tools required to assemble dispenser

Care and Construction

ABS Plastic

Material Characteristics

Designed for Long-Term, Heavy-Duty Applications

The combination of copolymers (Acrylonitrile, Butadiene, and Styrene) gives ABS an excellent combination of strength, rigidity, and toughness.

ABS is chemical, stress-crack resistant, dimensionally stable, and will hold up to long-term use. It possesses high strength and performance characteristics at a reasonable cost.

Care and Cleaning

Use mild soap and water to clean. Petroleum-based oils, solvents, and paints should not be used.

Standard hospital cleaning supplies are approved for use on our ABS plastic products.