



MADE IN THE USA

Product Description:

- Glove Box Dispenser - Single
- Holds one box of gloves
- Three-way keyholes for vertical or horizontal wall mounting
- BOWMAN® Signature Series - Cherry Fauxwood ABS Plastic

Primary Area for Product Usage:

- Anywhere gloves are needed

Dispenses:

- Box(es) no larger than 5.50"W x 10.00"H x 3.75"D (14.0 cm x 25.4 cm x 9.5 cm)
- Box(es) no smaller than 4.50"W x 9.00"H x 3.00"D (11.4 cm x 22.9 cm x 7.6 cm)

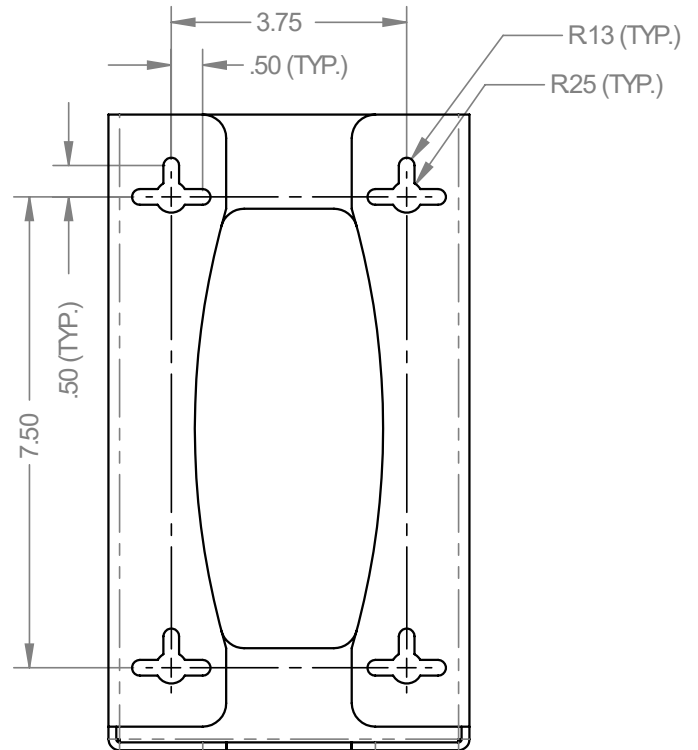
Package Specifications:

- Package Quantity: 12 per case
- 18"L x 16"W x 10"H (45.7 cm x 40.6 cm x 25.4 cm)
- 11.0 lbs (5.0 kg) - approximated

Product Specifications (overall external dimensions):

- 5.75"W x 10.13"H x 4.00"D (14.6 cm x 25.7 cm x 10.2 cm)
- 0.8 lbs (0.4 kg) - approximated

Mounting Specifications:



Related Products (each sold separately):

- GL010-0223: BOWMAN® Signature Series - Glove Box Dispenser - Maple Fauxwood (shown below)

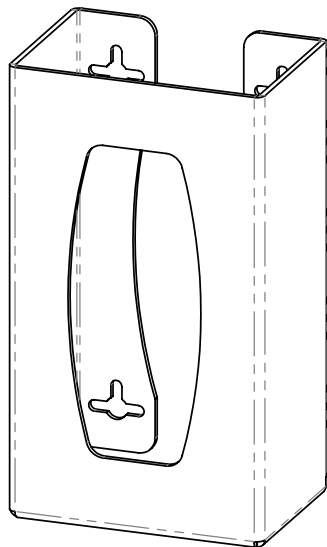




Installation

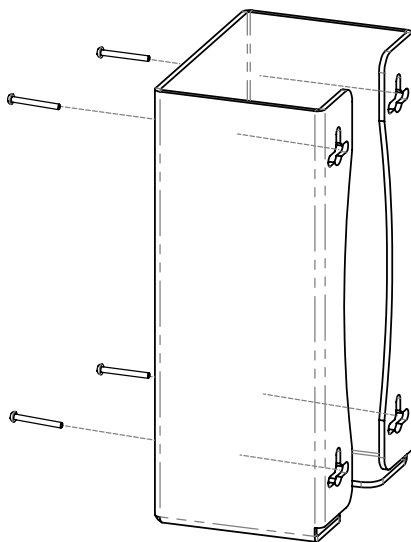
Always mount dispensers securely *prior* to loading with product.

- Front cutout allows for a wide variety of box dispensing perforations.



1

- Mount securely to a wall with screws approved and supplied by building maintenance.



2

Parts included:

- Dispenser

Tools Required:

- No tools required to assemble dispenser

Care and Construction

Cherry Fauxwood ABS Plastic

Material Characteristics

Designed for Long-Term, Heavy-Duty Applications

The combination of copolymers (Acrylonitrile, Butadiene, and Styrene) gives ABS an excellent combination of strength, rigidity, and toughness. The fauxwood finish is ARVINYL laminate created from a semi-rigid film.

ABS is chemical and stress-crack resistant. It is tough, dimensionally stable, and will hold up to long-term use. To ensure product longevity, fauxwood products should not be mounted in very hot or cold areas.

Care and Cleaning

Use mild soap and water to clean. Petroleum-based oils, solvents, and paints should not be used.

Standard hospital cleaning supplies are approved for use on our ABS plastic products.