

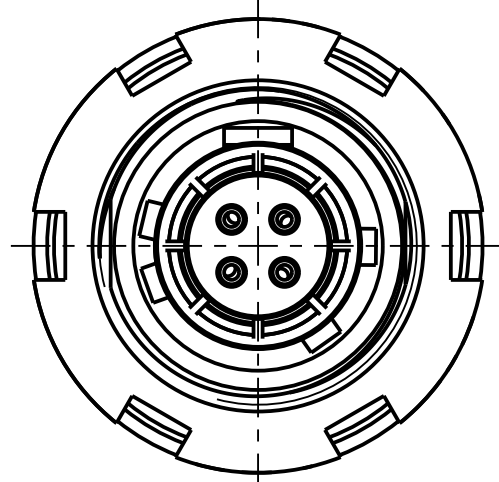
Fuer diese Unterlage behalten wir uns alle Rechte vor, auch fuer den Fall der Patenterteilung oder Gebrauchsmustereintragung. Sie darf ohne unsere vorherige schriftliche Zustimmung weder vervielfaeltigt noch sonstwie benutzt, noch Dritten zuganglich gemacht werden.

Mur rol gestempelte oder auf Laufkarte gedruckte Dokumente unterliegen dem Aenderungsdienst und sind zur Fertigung freigegeben. Only red stamped or on jobcard printed documents are managed. These documents are approved for production.

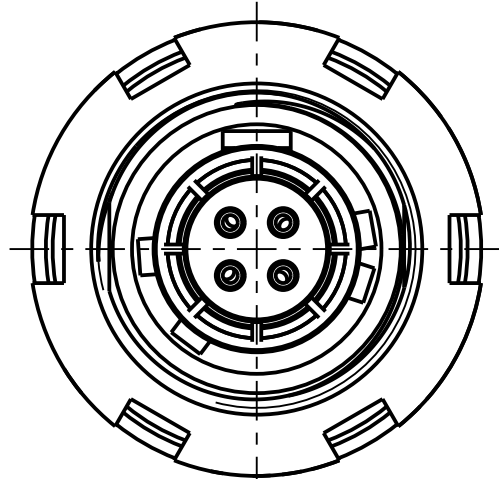
All Rights reserved, including possible patents or trademarks. Documents shall not be provided to a third party or duplicated in any form without prior written permission.

CAD: Creo Parametric

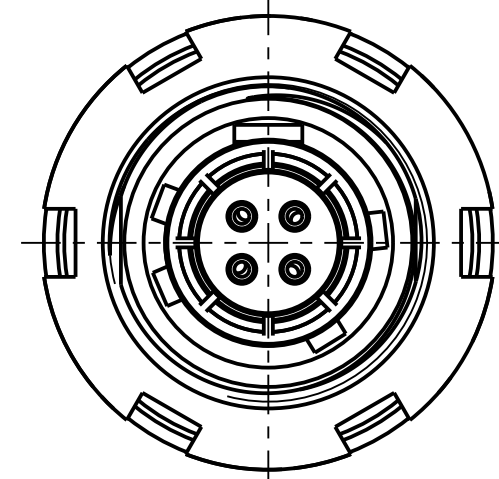
Additional coding  
View in direction A



Ⓐ GKCWBC-P04QB00-000L  
Mechanical coding: B  
Color coding: red

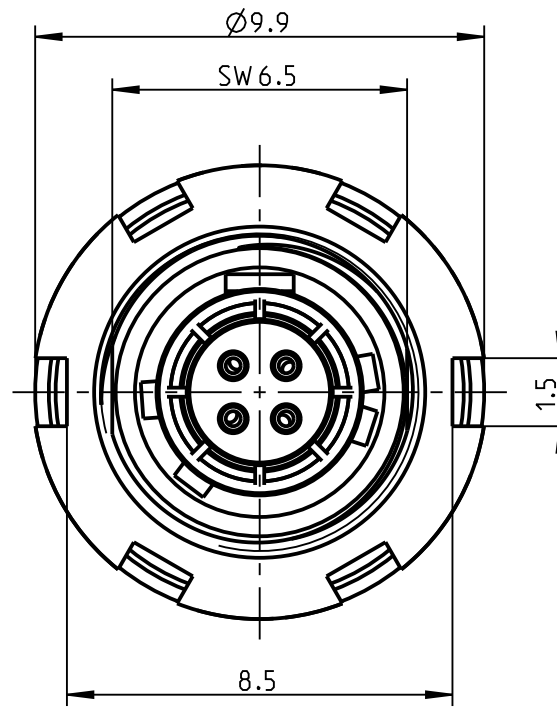
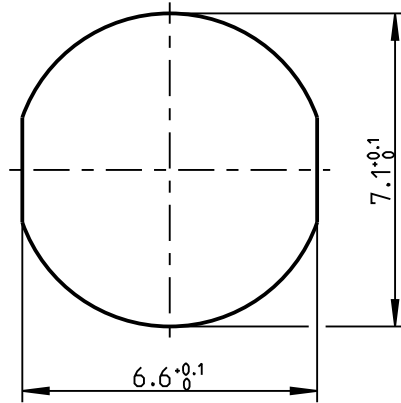


Ⓐ GKCWC-P04QB00-000L  
Mechanical coding: C  
Color coding: blue

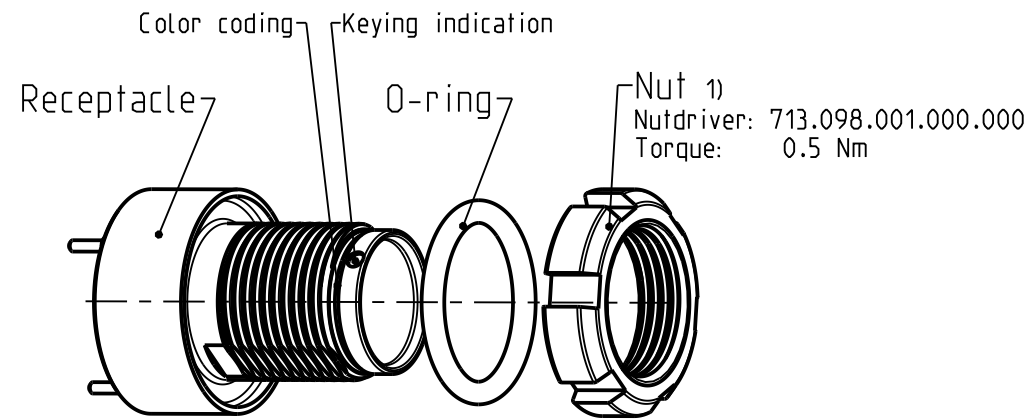


Ⓐ GKCWD-P04QB00-000L  
Mechanical coding: D  
Color coding: green

Panel cut-out



Ⓐ GKOWAC-P04QB00-000L  
Mechanical coding: A  
Color coding: light brown



Delivery condition

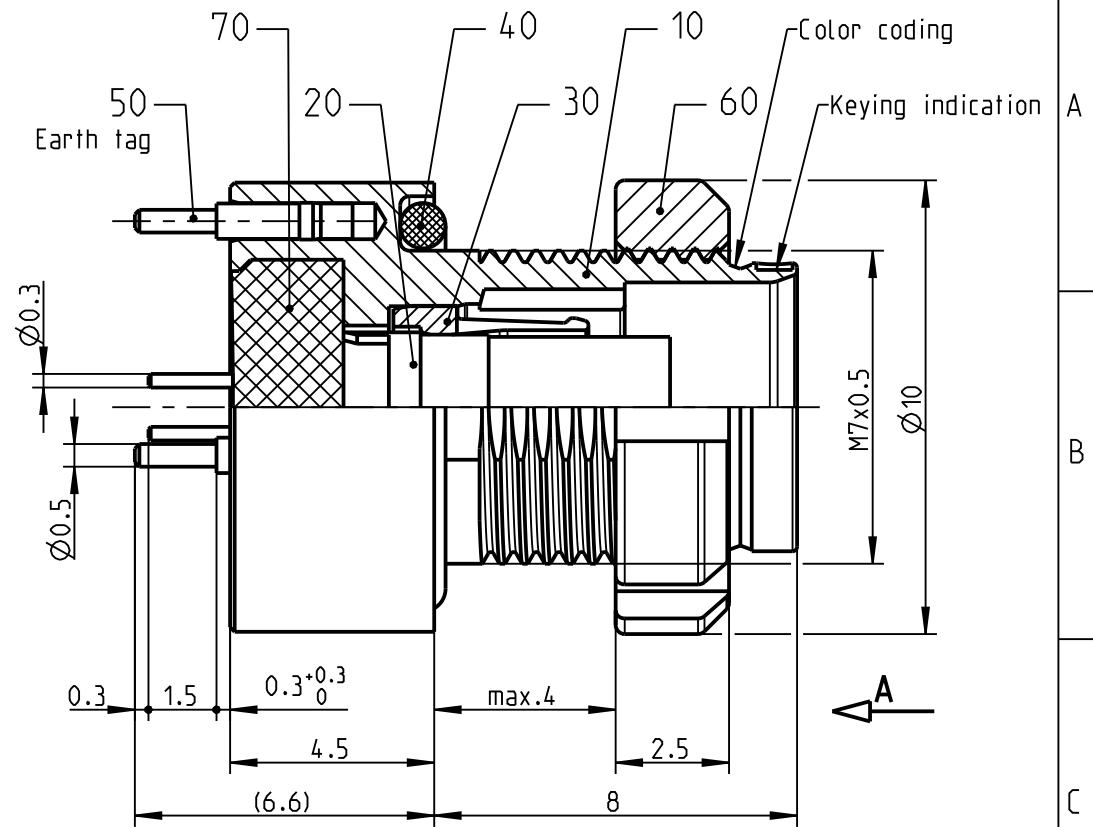
3:1

Technical information

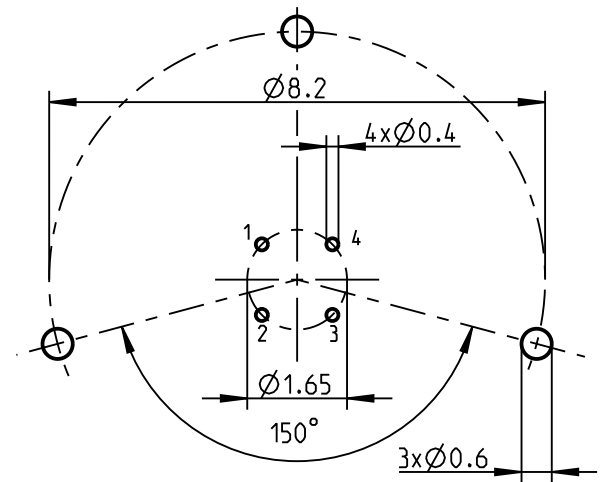
- Print contacts 3)
- Current load: 1A@Δt40° (Single contact)
- Test voltage: 900V (acc. SAE AS 13441:1998, Contact to contact)
- Rated voltage: 300V (acc. SAE AS 13441:1998) 2)

- 1) ODU recommend an additional locking of the nut with adhesive (e.g. Loctite 2701) to the screw thread.
- 2) Maximal operating voltage at sea level up to 2.000 m. Rated voltage applies no other electrical safety standard. In case other standards rule a specific use of the connector, the application specific safety criteria shall be considered first. This must be evaluated in the frame of equipment engineering.
- 3) The recommended thickness of the PCB is about 1.2 mm. Other versions are available on request.

Bei den hier dargestellten ODU-Steckverbindern handelt es sich nach DIN EN 61984:2009 um Steckverbinder ohne Schaltleistung (COC) ! /the pictured ODU-connectors are in relation to DIN EN 61984:2009 connectors without switching capacity (COC) !



PCB-Layout  
View in mating direction A  
8:1



		Benennung/description: Gerateteil cpl. Receptacle		Werkstoff/ material: see BOM
Allgmeintoleranz/general tol.: DIN ISO 2768-mH Tolerierung / Tolerancing: DIN ISO 8015		CAD-Nr.: design-ID: 00101733		Maßstab: scale: 6:1
Status/state: Approved		Version: revision: A		Format: size: A3
Erstellt/prepared	14.01.2016	spantze	Teile-ID: part-ID:	Einheit: dim.: mm
Geaendert/revised	20.02.2017	cbauer	Oxaion-Nr.:	Bl.:
Freigabe/released	21.02.2017	mmeier	Ⓐ GKCW_C-P04QB00-000L	sheet: 1
ODU-MUEHL DORF	Datum/date	Name/name	Ursprung/origin.:	