

specifications

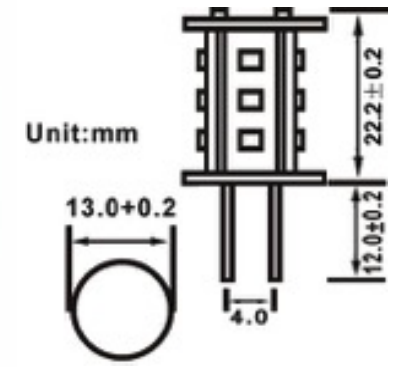
Consumption	Base	Voltage	CRI	Lens	Heat Sink	L70 hours	Beam Angle	Ambient Temp (F)	Power Factor	UL listing	THD
1.4 W	G4	10-30 V 	> 80	n/a	aluminum	50,000	120°	-40° - 113°	> 0.9	IP40	< 20%

select your lamp

Part Number	Color Temp	Lumen Output	Efficacy
GI-G4C-W105-30		148	105 lm / W
GI-G4C-C105-30		165	137 lm / W

other

Dimensions	Warranty	Gross Weight	Case QTY
1.34" x 0.55"	6 years	0.71 ounces	1 pcs



Features

- > No UV or IR radiation
- > 50,000 hour LED lifespan based on IES LM-80 results and TM-21 calculations
- > 90% energy savings compared to halogen lamps

Not all product variations listed on this page may be DLC qualified. Visit [www.designlights.org/search](http://www.designlights.org/search) to confirm qualification.

