

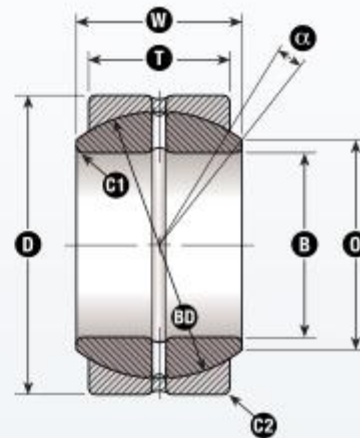
NPB GEZ25ES BEARING

LOAD SERIES INCH | STANDARD DUTY UNSEALED SPHERICAL PLAIN BEARING

NPB Part No. **GEZ25ES**

SPECIFICATIONS

Sealed	No
Ball Bore Diameter	B 1" [1.000"] ±0.0005
Outside Diameter ¹	D 1.6250" ±0.0005
Ball Width	W .875" ±0.005
Race Width	T .750" ±0.005
Ball Diameter Ref	BD 1.437"
Tilt Angle ²	α 6 deg
Shoulder Diameter Ref	D 1.083"
Shaft Fillet Max	C1 .011"
Housing Fillet Max	C2 .039"
Static Radial Load ³	37,359 Lbf
Dynamic Radial Load ³	12,605 Lbf



**TYPE ES
UNSEALED**

*Stainless option is available in most sizes.

¹ All tolerances in this catalog are before the outer races are fractured and before application of dry film lubricant

² Seals may reduce tilt angle

³ Ultimate loads for the bearings in this catalog are approximately 1.5 times the catalog load ratings