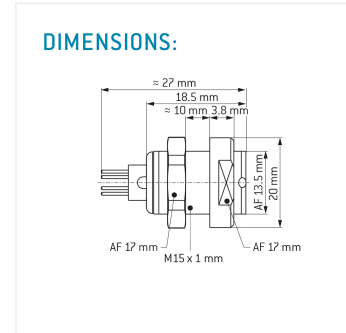
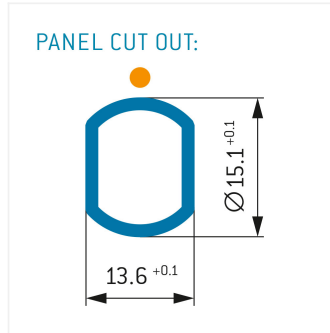
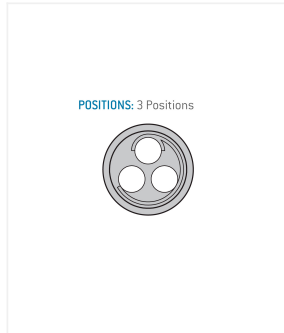
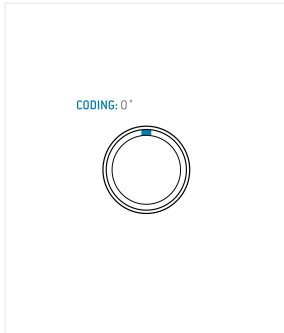
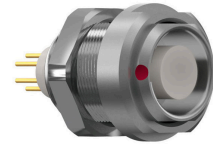


General information

Part number	G52LOC-P03QS00-0000
Termination	pcb
Size	2
Locking principle	break , push
Coding	0_key



Contact insert description

Number of contacts	3
Contact type	sockets
Contact diameter	16mm
Insulator material	peek
Termination	pcb
Termination diameter	07mm

reverse_gender_on_request

Technical information

Max. creepage and air clearance distance	17 mm	15 mm
Nominal current single contact	16 a	iec_60512_5_2
Nominal current insert	16 A	vde_0298_4
Test voltage	24 kv_ac	sae_13441

safety_text

Mechanical and environmental data

Degree of protection*	ip50
Operating temperature	40_120_c
Mating cycles	5000

mated_unmated

Material and surface treatments

Housing	m_chrome
Contact	cu_alloy_gold

safety_text_2
ul_text
illustrative_text