

**Materials and Finish**

Housing Material: High Temperature Thermoplastic, UL 94V-0 Rated, Color: Black

Shield: Stainless Steel

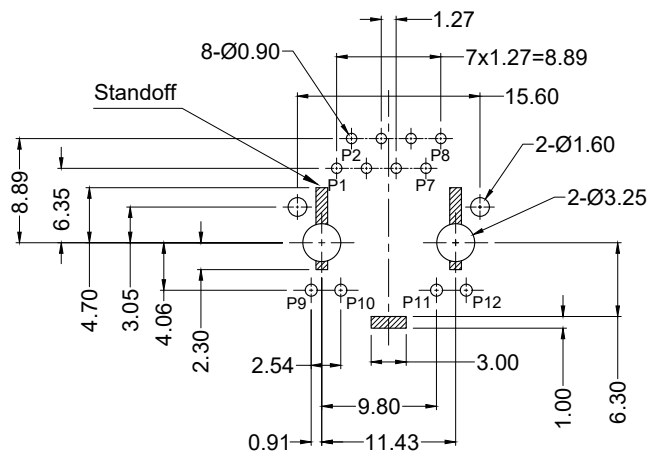
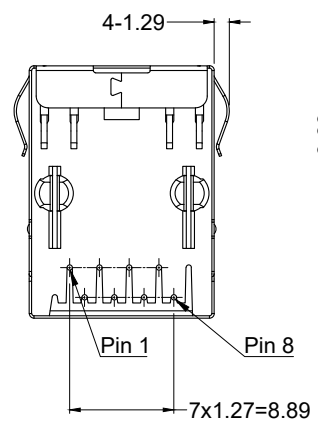
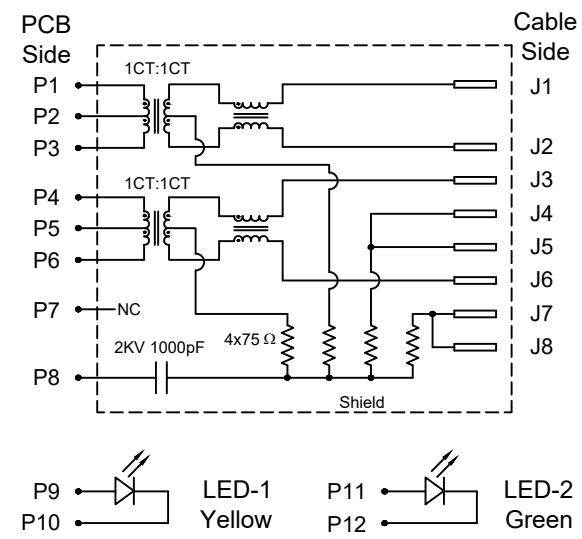
Contact Material: Copper Alloy

Plating Options:  
Standard: Nickel Underplating, Gold Flash Plating on Contact Area, Tin Plating on Solder Area

-15 Option: Nickel Underplating, 15u" Gold Plating on Contact Area, Tin Plating on Solder Area

-50 Option: 50u" Gold Plating 50u" Gold Plating on Contact Area, to Comply With ANSI/TIA-1096-A, Tin Plating on Solder Area

**Magnetics Schematic**



**Recommended PCB Layout (Top View)**

**Electrical Characteristics**

Insulation Resistance: 500 Megohms Min.

Contact Resistance: 50 milliohms Max.

Dielectric Withstanding Voltage: 500V AC Min. for 1 Minute

**Mechanical Characteristics**

Durability Rating: 750 Mating Cycles Min.

Operating Temperature: 0°C to +70°C

**Electrical Properties:**

Insertion Loss (dB Typ)	Return Loss			Cross Talk (dB Min)	CMR (dB Min)
	at 100Ω	(dB Min)			
100KHz~100MHZ	1~30MHZ	30~60MHZ	60~80MHZ	1~100MHZ	30~100MHZ
-1.1	-18	-16	-12	-40	-35

Part Number	Contact Area Plating Finish
G1LX-188S7-BB-YG1	Gold Flash (Standard)
G1LX-188S7-BB-YG1-15	15u" Gold (15 Option)
G1LX-188S7-BB-YG1-50	50u" Gold (50 Option)

Tolerances
X.X ± 0.35
X.XX ± 0.25
Unless Stated Otherwise



REV.	DATE	DESCRIPTION	REV. BY	CHK. BY	DRAWN BY	DATE
A0	06/16/14	New Drawing	C. Kelleher	P. DalCanto	C. Kelleher	3/25/14
A1	08/15/14	Release Drawing	D. Gih	P. DalCanto		
A2	08/03/18	Update Address	D. Shehan			

**G1LX-188S7-BB-YG1**

8P8C ModJack, Tab Down, Shielded, 10/100 Magnetics,  
Yellow & Green LEDs, In-Line LED Leads, RoHS Compl.

