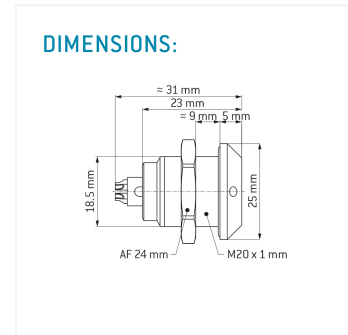
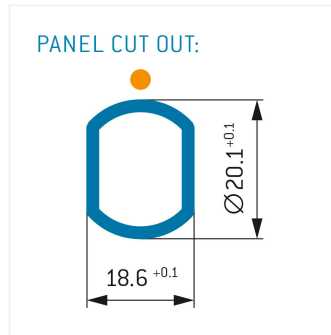
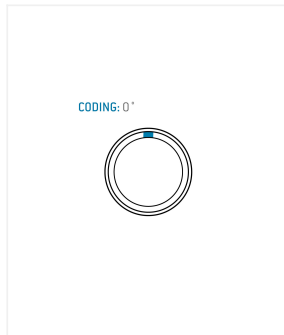


G12K0C-P06PPL0-0000
series_k, type_g1



General information

| | |
|--------------------------|---------------------|
| Part number | G12K0C-P06PPL0-0000 |
| Termination | crimp |
| Size | 2 |
| Locking principle | break , push |
| Coding | 0_key |



Contact insert description

| | |
|---------------------------|-----------|
| Number of contacts | 6 |
| Contact type | pins |
| Contact diameter | 13mm |
| Insulator material | peek |
| Wire cross section | 18-20_awg |
| Termination | crimp |

reverse_gender_on_request

Technical information

| | | |
|---|----------|---------------|
| Max. creepage and air clearance distance | 08_mm | 06_mm |
| Nominal current single contact | 15_a | iec_60512_5_2 |
| Nominal current insert | 11,25 A | vde_0298_4 |
| Test voltage | 11_kv_ac | sae_13441 |

safety_text

Mechanical and environmental data

| | |
|------------------------------|----------|
| Degree of protection* | ip68 |
| Operating temperature | 40_120_c |
| Mating cycles | 5000 |

mated

Material and surface treatments

| | |
|----------------|---------------|
| Housing | m_chrome |
| Contact | cu_alloy_gold |

safety_text_2
ul_text
illustrative_text