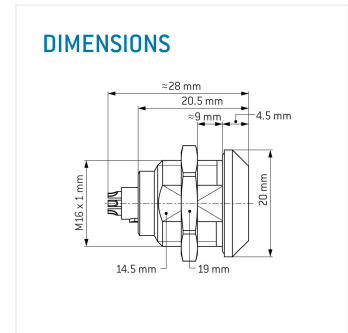
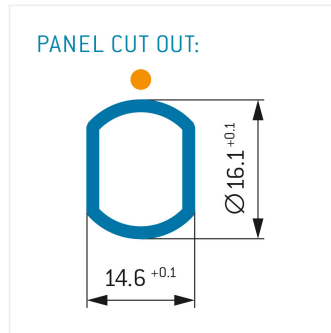
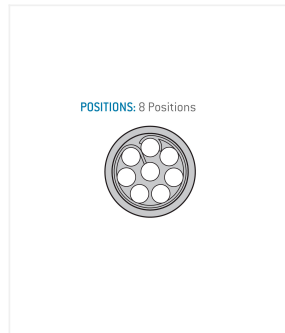
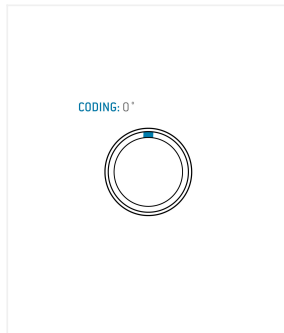


### General information

|                   |                     |
|-------------------|---------------------|
| Part number       | G11KOC-P08LFG0-0000 |
| Termination       | solder              |
| Size              | 1                   |
| Locking principle | break , push        |
| Coding            | 0_key               |



### Contact insert description

|                      |         |
|----------------------|---------|
| Number of contacts   | 8       |
| Contact type         | sockets |
| Contact diameter     | 07mm    |
| Insulator material   | peek    |
| Wire cross section   | 22_awg  |
| Termination          | solder  |
| Termination diameter | 085mm   |

reverse\_gender\_on\_request

### Technical information

|  |          |               |
|--|----------|---------------|
| Max. creepage and air clearance distance | 04_mm    | 06_mm         |
| Nominal current single contact           | 075_a    | iec_60512_5_2 |
| Nominal current insert                   | 4,875 A  | vde_0298_4    |
| Test voltage                             | 09_kv_ac | sae_13441     |

safety\_text

### Mechanical and environmental data

|                       |          |
|-----------------------|----------|
| Degree of protection* | ip68     |
| Operating temperature | 40_120_c |
| Mating cycles         | 5000     |

mated

### Material and surface treatments

|                |               |
|----------------|---------------|
| <b>Housing</b> | m_chrome      |
| <b>Contact</b> | cu_alloy_gold |

safety\_text\_2  
ul\_text  
illustrative\_text