

These Floor Cord Covers are popular as a temporary solution to cover cords across open areas with light foot traffic.

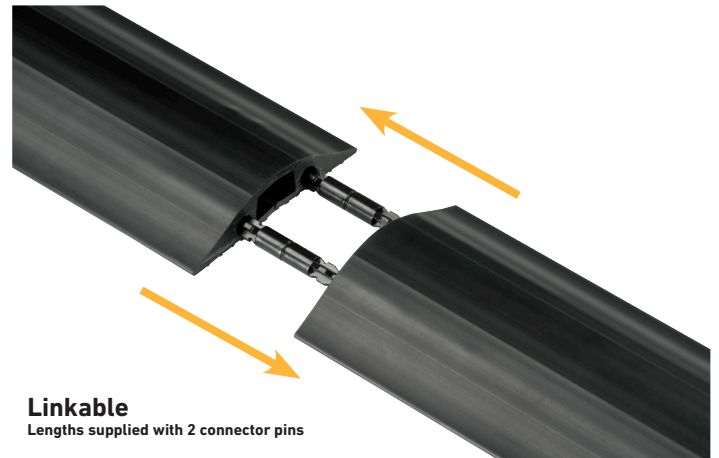
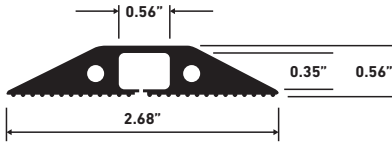
The 0.63" x 0.31" cavity can accommodate 2x 0.31" outer diameter flex cables.

- Ideal for areas with light foot traffic
- Address a common cause of trips and falls
- Can protect up to 2x 0.31" diameter cables
- Ribbed non-slip base, pre-split rear for ease of use
- Flexible PVC - Supplied coiled; simply uncoil to lay flat

CC-1	Black
US/CC-2	Brown
US/CC-3	Beige
US/CC-4	Gray
US/CC-6	Yellow



Produced from flexible PVC	Flexible to uncoil and lay flat, no adhesive tapes required Abrasion resistant
Popular usage	To protect cords across floors, and eliminate trip hazards For health & safety Ideal for areas with light or regular foot traffic
UV stabilized	Yes
Cavity size	0.63" (W) x 0.31" (H) Can fit up to 2x 0.3" popular flex type cables
Dimensions	2.36" Width - Available as 6' or 30' length
Weight	6' = 1.75 lb (boxed) 30' = 7.7 lb (boxed)
Available colors	Black, Brown, Beige, Gray, & Yellow
Packaging	Usually supplied coiled in cardboard box
Recyclability	Yes



The design of these Floor Cable Protectors address cable trip hazards... while providing effective protection for cables.

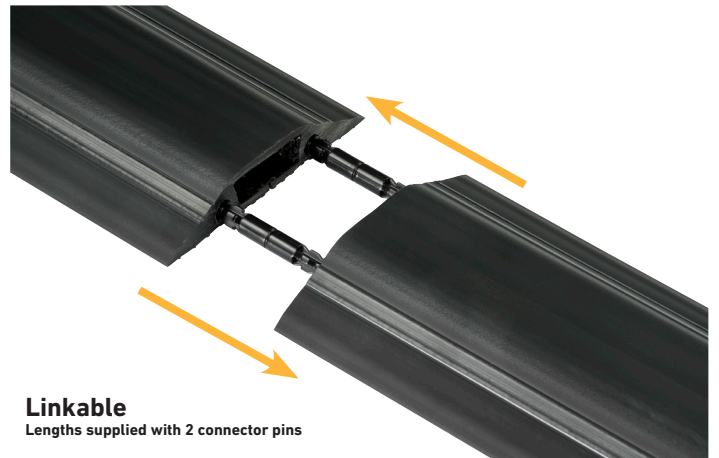
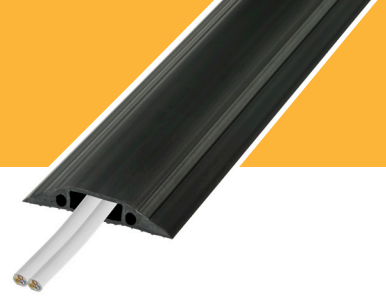
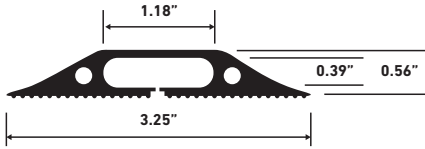
By minimizing the risk of split insulation and damaged conductor strands, the danger of electrocution and hot spots (that create fire risks) is minimized also.

Lengths are available as 6' or 30' options, and supplied with friction-fit connector pins so that they can be joined to make continuous runs when necessary.

- Ideal for areas with regular foot traffic
- Protect cables, and address a common cause of trips and falls
- 0.56" x 0.35" cavity
- Ribbed non-slip base, pre-split rear for ease of use
- Flexible PVC - Neat tapered design, lengths uncoil to lay flat



Produced from flexible PVC	Flexible to uncoil and lay flat, no adhesive tapes required Abrasion resistant Ideal for uneven floors
Popular usage	To protect cords across floors, and eliminate trip hazards For health & safety Ideal for areas with regular foot traffic
UV stabilized	Yes
Cavity size	0.56" (W) x 0.35" (H) for up to 2x 0.3" (outer diameter) cables
Dimensions	2.68" Width - Available as 6' or 30' length
Weight	6' = 2.9 lb (boxed) 30' = 13 lb (boxed)
Available colors	Black
Supplied with 2 connector rods	To push-in, pull apart Enables join to additional FC68B lengths, to cover longer runs of cable Ribbed for friction fit PVC, can bend & flex
Packaging	Usually supplied coiled in cardboard box
Recyclability	Yes



Medium Duty profiles uncoil to effectively lay flat across surfaces, while the tapered sloping sides are pedestrian-friendly.

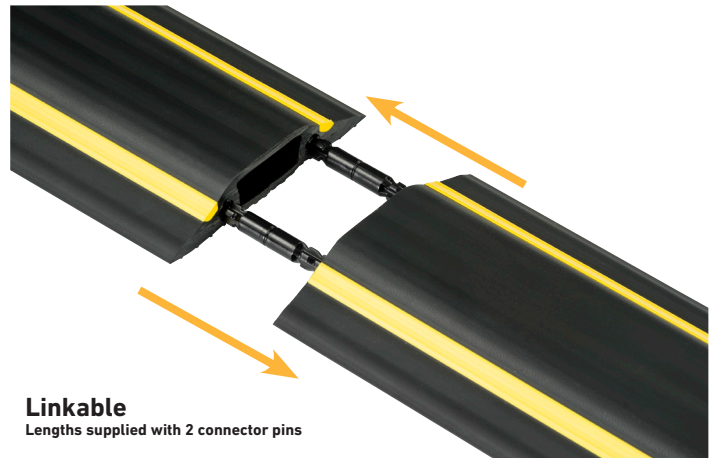
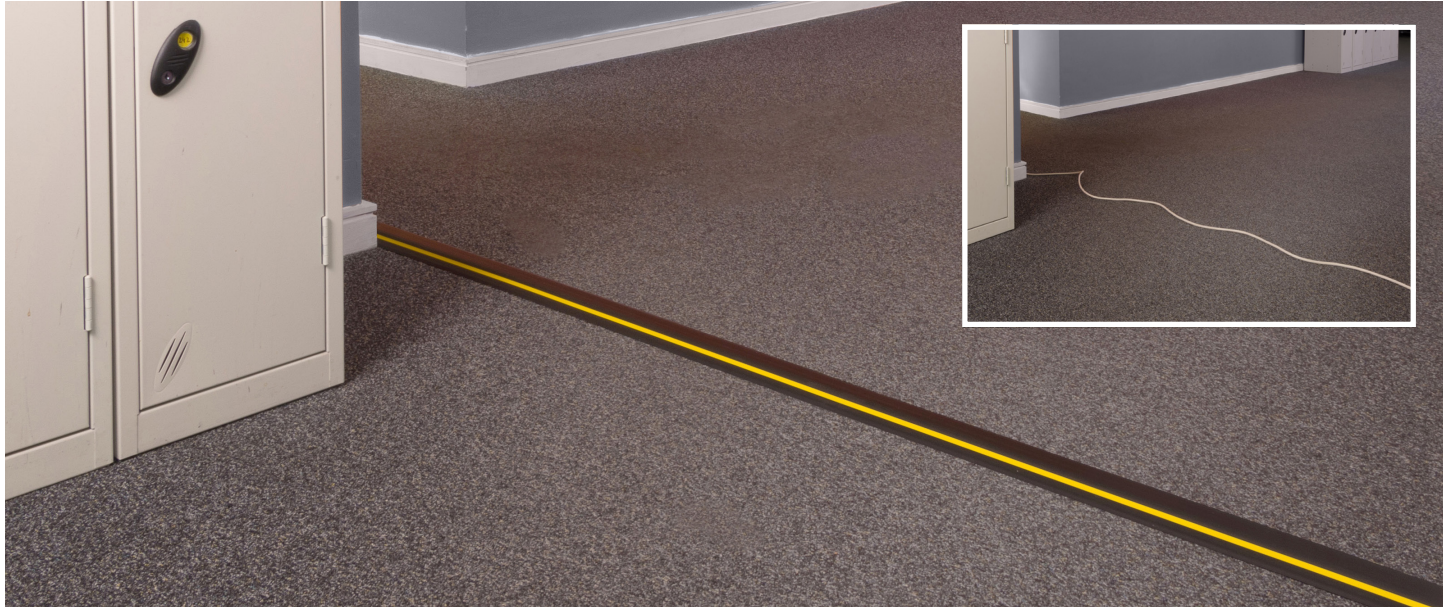
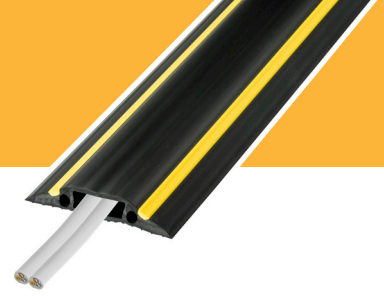
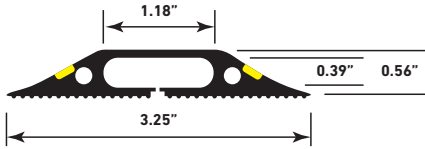
The pre-split back enables users to simply retro-fit the product over the cables. Features combine so that cables can be contained within the cavity, with minimal risk of movement.

The unique connector pins provide an effective friction-fit connection that can be pushed-in, then later pulled apart, in adjoining lengths – to cover whatever length of cable is required.

- Ideal for areas with regular foot traffic
- Protect cables, and address a common cause of trips and falls
- 1.18" x 0.39" cavity
- Ribbed non-slip base, pre-split rear for ease of use
- Flexible PVC - Neat tapered design, lengths uncoil to lay flat



Produced from flexible PVC	Flexible to uncoil and lay flat, no adhesive tapes required Abrasion resistant Ideal for uneven floors
Popular usage	To protect cords across floors, and eliminate trip hazards For health & safety Ideal for areas with regular foot traffic
UV stabilized	Yes
Cavity size	1.18" (W) x 0.39" (H) for up to 3x 0.37" (outer diameter) cables
Dimensions	3.27" Width - Available as 6' or 30' length
Weight	6' = 3 lb (boxed) 30' = 14.5 lb (boxed)
Available colors	Black
Supplied with 2 connector rods	To push-in, pull apart Enables join to additional FC83B lengths, to cover longer runs of cable Ribbed for friction fit PVC, can bend & flex
Packaging	Usually supplied coiled in cardboard box
Recyclability	Yes

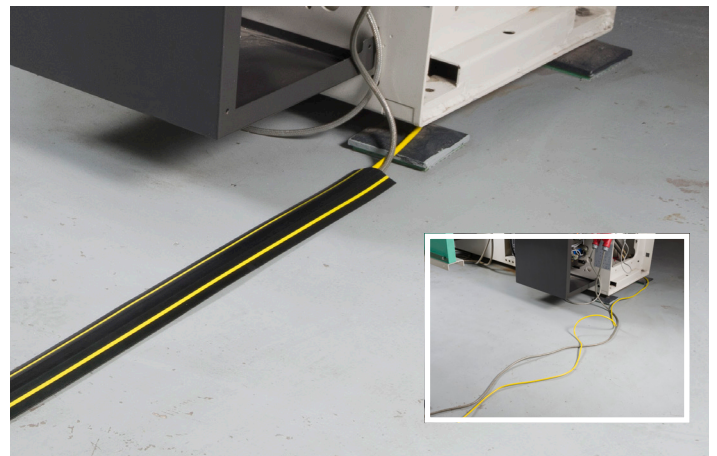


Ideal for up to 3x 0.37" diameter cables, this versatile Cable Protector is supplied with connector pins so it can be cut to shorten, then reconnected or combined with other lengths to make longer runs.

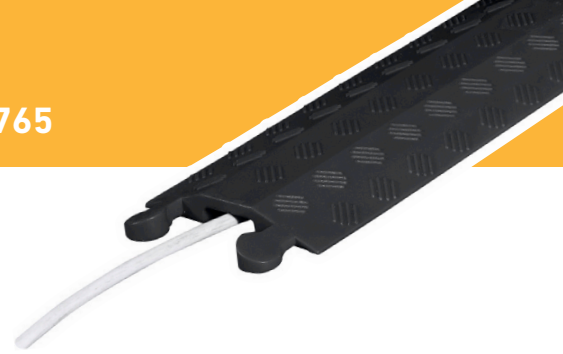
The hazard stripe gives greater visibility to pedestrians.

Available in 6' lengths, or 30' length options. Supplied with connector pins, so lengths can be joined to make longer runs.

- Ideal for areas with regular foot traffic
- Protect cables, and address a common cause of trips and falls
- Prevent cable insulation damage/electrocution and risk of broken conductor strands
- 1.18" x 0.39" cavity
- Ribbed non-slip base, pre-split rear for ease of use
- Flexible PVC - Neat tapered design, lengths uncoil to lay flat
- No sharp kerb-effect, pedestrian friendly



Produced from flexible PVC	Flexible to uncoil and lay flat, no adhesive tapes required Abrasion resistant Ideal for uneven floors
Popular usage	To protect cords across floors, and eliminate trip hazards For health & safety Ideal for areas with regular foot traffic
UV stabilized	Yes
Cavity size	1.18" (W) x 0.39" (H) for up to 3x 0.37" (outer diameter) cables
Dimensions	3.27" Width - Available as 6' or 30' length
Weight	6' = 3 lb (boxed) 30' = 14.5 lb (boxed)
Available colors	Black, with yellow hazard stripes
Supplied with 2 connector rods	To push-in, pull apart Enables join to additional FC83H lengths, to cover longer runs of cable Ribbed for friction fit PVC, can bend & flex
Packaging	Usually supplied coiled in cardboard box
Recyclability	Yes



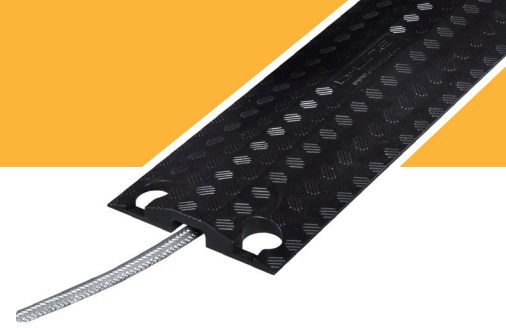
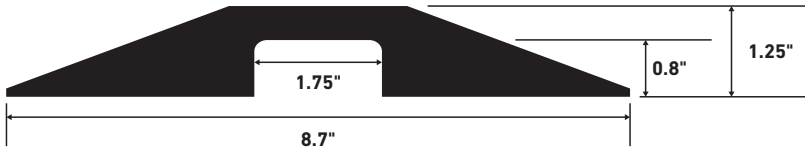
D-Line drop over rigid Cable Protectors can accommodate cables or hoses up to 0.8" diameter. Each length has a simple and effective locking mechanism, so cable runs can be made in any length required.

Anti-slip treads and tapered sides are pedestrian friendly, while the strength of these cable protectors can accept heavy vehicular loads.

- Made from high-grade polyurethane, extremely robust
- Cavity 1.5" (W) x 0.5" (H)
- Join by interlocking male:female connectors
- Tapered design & non-slip treads for pedestrian traffic
- Can accept up to 11.5T Axle Weight
- Durability gives exceptional value



Produced from high-grade polyurethane	Extremely durable & robust Can accept up to 11.5T Axle Weight
Popular usage	Protect cables from vehicular traffic For health & safety Popular in warehouses, stadiums, exhibitions & transport hubs
UV stabilized	Yes
Cavity size	1.5" (W) x 0.5" (H) for cables up to 0.47" (outer diameter)
Dimensions	(L) 30.1" x (W) 5.25" x (H) 0.87" Join to additional lengths, to cover longer cable
Weight	2.5 lb
Available colors	Black
Packaging	Boxed



D-Line rigid Cable Protector lengths have a simple and effective locking mechanism, so runs can be made in any length required.

The 1.75" (W) x 0.8" (H) cavity height is versatile to cover popular cable diameters.

- Made from high-grade polyurethane, extremely robust
- Join by interlocking male:female connectors
- Tapered design & non-slip treads for pedestrian, & light commercial traffic
- Durability gives exceptional value





Rigid Floor Cable Protector - D0-2B765

Produced from high-grade polyurethane	Extremely durable & robust Can accept up to 11.5T Axle Weight
Popular usage	Protect cables from vehicular traffic For health & safety Popular in warehouses, stadiums, exhibitions & transport hubs
UV stabilized	Yes
Cavity size	1.75" (W) x 0.8" (H) for cables up to 0.77" (outer diameter)
Dimensions	(L) 30.1" x (W) 8.7" x (H) 1.25" Join to additional lengths, to cover longer cable
Weight	5.5 lb
Available colors	Black
Packaging	Boxed