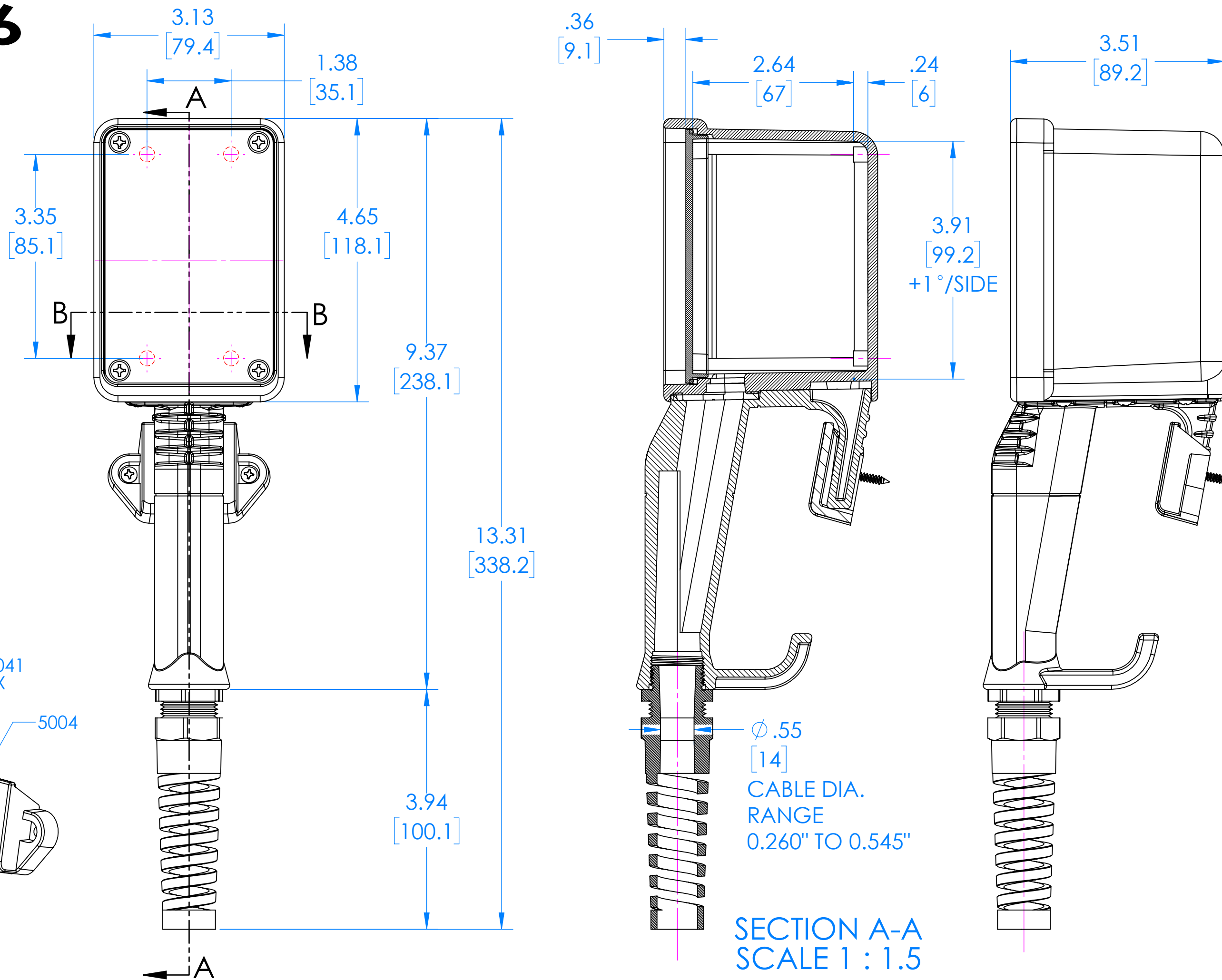
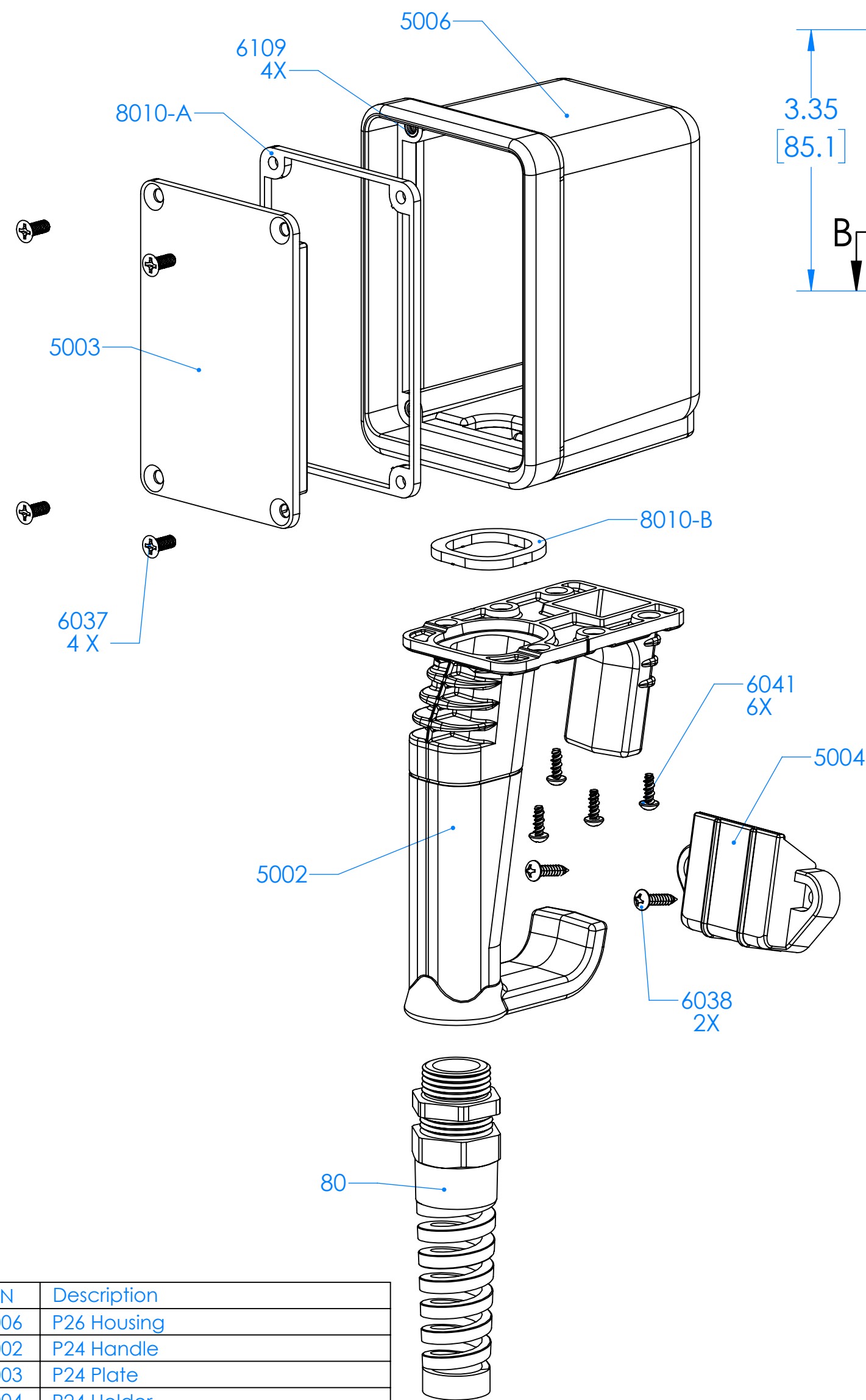


SERPAC P26

Electronic Enclosures



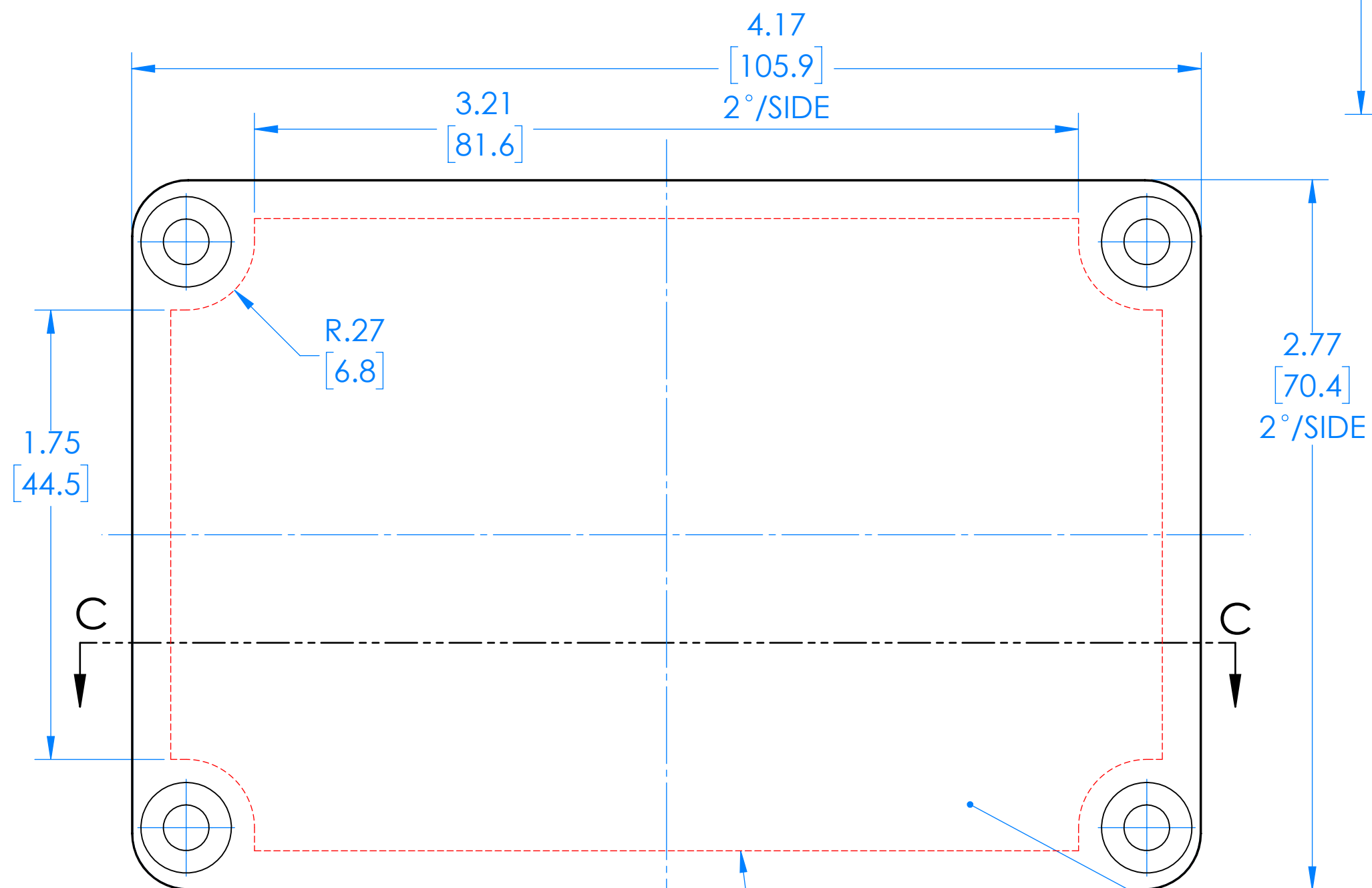
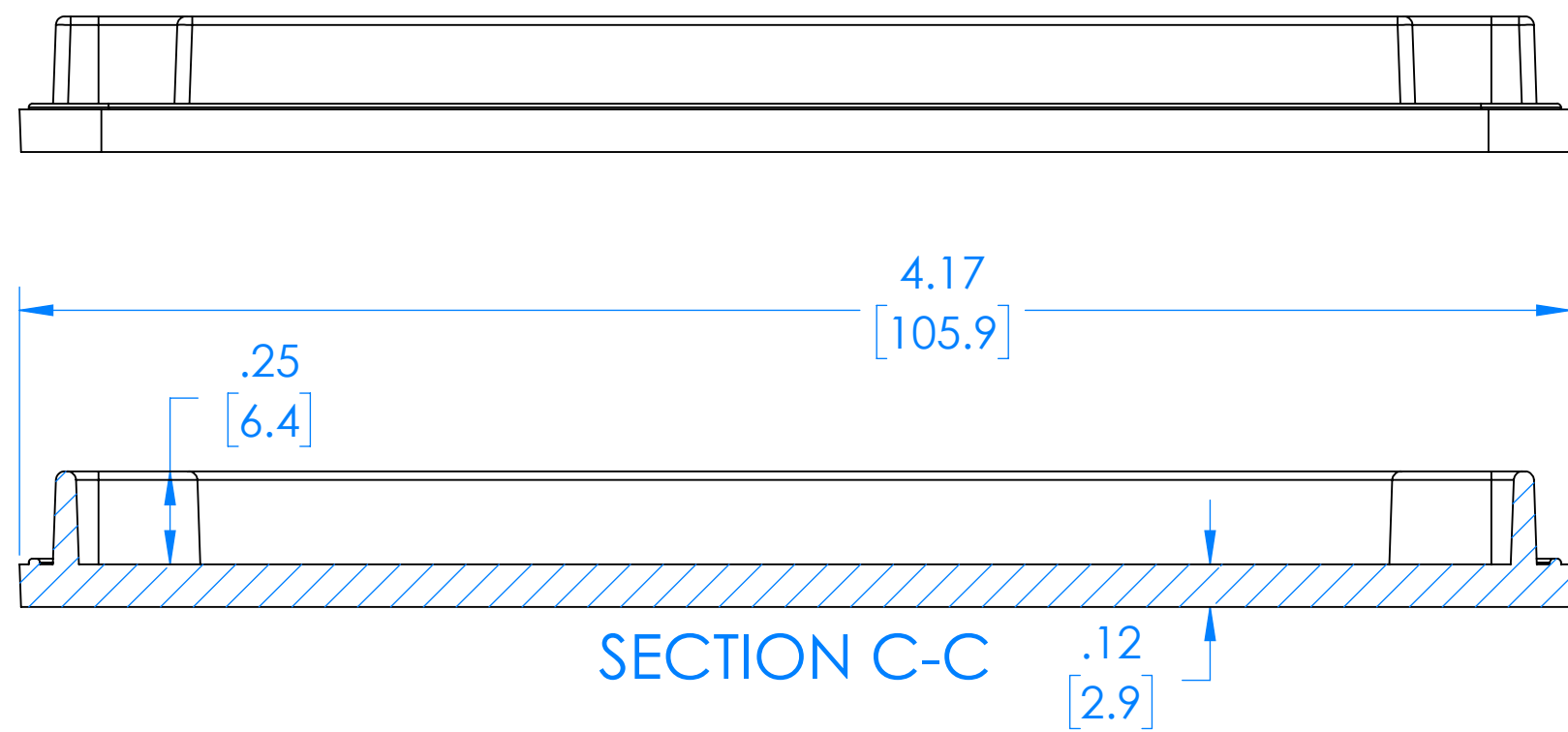
PN	Description
5006	P26 Housing
5002	P24 Handle
5003	P24 Plate
5004	P24 Holder
6109	Threaded Inserts, M4, SL-B-M4-5.8 (4)
80	PG-16 Pigtail
6041	SS Truss Hd, Hi-Lo Screw, #4 x 3/8" (6)
6037	SS Flat Hd. Screw M4 X 10mm (4)
6038	SS #6 X 5/8" Screw Phil Pan (2)
8010-A	P24 Housing Gasket
8010-B	P24 Handle Gasket
6004	#4 Self-tapping screws (4)

- Notes:
- Unit is shipped with Handle/Housing gasket installed. Plate to Housing gasket is user installed.
 - Dim's in Inch/[mm].
 - Standard Material is UL94 HB Polyester (Yellow or Black).
 - Watertight enclosure meets or exceeds NEMA 4x / IP66.

SERPAC Plate & Circuit Board for P26

Electronic Enclosures

PN 5003 PLATE (INCLUDED)



PN 5003 PLATE (INCLUDED)

P26 CIRCUIT BOARD (NOT INCLUDED)

