

## SUMMARY

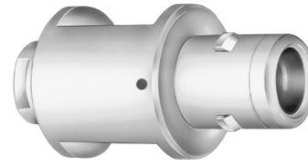


Image is for illustrative purpose only

### # Wires

Coax 1

|                  |                                |
|------------------|--------------------------------|
| Series           | 1E                             |
| Termination type | Male solder Coaxial            |
| IP rating        | 68 mated (mating interface)    |
| AWG wire size    | 0.00 - 0.00                    |
| Cable Ø          | 6.10 - 6.50 mm                 |
| Status           | Active                         |
| Matching parts   | <a href="#">ERA.1E.275.SLL</a> |

### Download

[Request a quote](#)

[Catalog](#)

## TECHNICAL DETAILS

### Mechanics

|                   |  |
|-------------------|--|
| Shell Style/Model | FZP*: Straight plug for remote handling, cable collet and inner anti-rotating device                     |
| Keying            | Circular, male   |
| Housing Material  | Stainless steel shell and collet nut, nickel plated [SAE AMS QQ N 290] brass latch sleeve and mid pieces |
| Weight            | 39.61 g  |

### Performance

|               |                           |
|---------------|---------------------------|
| Configuration | 1E.275 : 1 Coax (75 Ohm)  |
| Insulator     | L: PEEK (UL 94 / V-0/1.5) |
| Rated Current | 10 Amps                   |

### Specifications

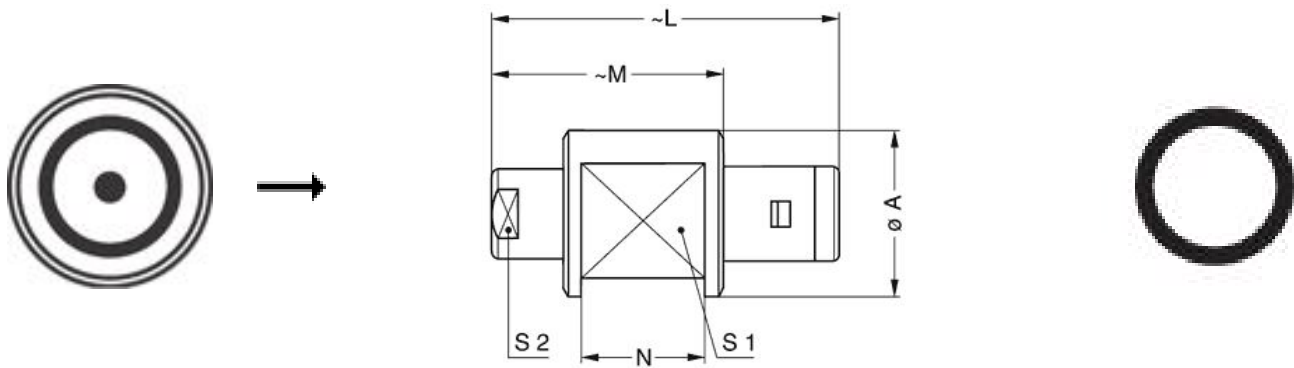
Contact Type: Solder  
Vtest: 2400 V (AC), 3300 V (DC)  
Impedance: 75 Ohm  
VSWR: 1.02 + 0.08 \* f/GHz  
Cable type: RG 179 B/U, RG 187 A/U, RG 58 C/U, RG 302 /U, RG 400 /U, 2YCCY, RG 59 B/U, RG 223 /U, HF-5408

### Others

LEMO products and services are provided "as is". LEMO makes no warranties or representations with regard to LEMO product & services or use of them, express, implied or statutory, including for accuracy, completeness, or security. The user is fully responsible for his products and applications using LEMO components.

Endurance (Shell): 5000 mating cycles  
 Temp (min / max): -55°C / +200°C  
 Humidity (max): <=95% [at 60 deg C / 140 F]  
 Vibration: 15 g [10 Hz - 2000 Hz]  
 Shock Resistance: 100 g [ 6 ms]  
 Climatical Category: 50/175/21  
 Shielding (min): 95 dB (10 MHz)  
 Shielding (min): 80 dB (1 GHz)

## DRAWINGS



### Dimensions

|     | A    | L    | M    | N    | S1   | S2   |
|-----|------|------|------|------|------|------|
| mm. | 20   | 42   | 28   | 15   | 15   | 9    |
| in. | 0,79 | 1,65 | 1,10 | 0,59 | 0,59 | 0,35 |

## RECOMMENDED BY LEMO

### Tools

Spanner wrench: [DCD.1E.ZZZ.PA090](#)

Caps: [BFA.1E.100.NAS](#)

*LEMO products and services are provided "as is". LEMO makes no warranties or representations with regard to LEMO product & services or use of them, express, implied or statutory, including for accuracy, completeness, or security. The user is fully responsible for his products and applications using LEMO components.*

*LEMO products and services are provided "as is". LEMO makes no warranties or representations with regard to LEMO product & services or use of them, express, implied or statutory, including for accuracy, completeness, or security. The user is fully responsible for his products and applications using LEMO components.*