

SUMMARY

Wires

Coax 1

Series 1V
Termination type Male solder Coaxial
IP rating 68 mated (mating interface)
AWG wire size 0.00 - 0.00
Cable Ø 5.60 - 6.00 mm
Status Active
Matching parts [EVP.1V.275.CLL](#)



Image is for illustrative purpose only

Download

[Request a quote](#)

[Catalog](#)

TECHNICAL DETAILS

Mechanics

Shell Style/Model FVN*: Straight plug, cable collet
Keying Circular, male
Housing Material Brass (chrome plated [SAE AMS 2460]) shell and collet nut, nickel plated [SAE AMS QQ N 290] brass latch sleeve and mid pieces
Weight 31.46 g

Performance

Configuration 1V.275 : 1 Coax (75 Ohm)
Insulator
Rated Current

Specifications

Contact Type: Solder

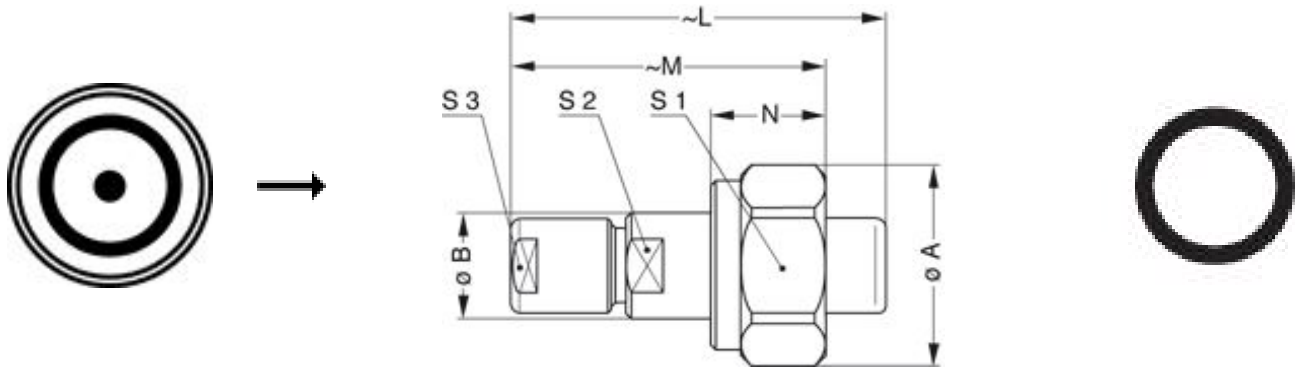
Others

Endurance (Shell): 1000 mating cycles
Temp (min / max): -20°C / +200°C
Climatical Category: 20/200/21
Shielding (min): 95 dB (10 MHz)

LEMO products and services are provided "as is". LEMO makes no warranties or representations with regard to LEMO product & services or use of them, express, implied or statutory, including for accuracy, completeness, or security. The user is fully responsible for his products and applications using LEMO components.

Shielding (min): 80 dB (1 GHz)
Salt Spray Corrosion: >1000 hr
Pressure: 30 bars

DRAWINGS



Dimensions

	A	B	L	M	N	S1	S2	S3
mm.	19.3	12	43	35	14	18	10	9
in.	0,76	0,47	1,69	1,38	0,55	0,71	0,39	0,35

RECOMMENDED BY LEMO

Tools

LEMO products and services are provided "as is". LEMO makes no warranties or representations with regard to LEMO product & services or use of them, express, implied or statutory, including for accuracy, completeness, or security. The user is fully responsible for his products and applications using LEMO components.