

\*\*SEE PAGE 2 FOR DETAILS

WIRING SCHEMATIC

| 1         |  | 2         |  |
|-----------|--|-----------|--|
| PIN       |  | PIN       |  |
| 1 = BROWN |  | 1 = RED   |  |
| 2 = WHITE |  | 2 = GREEN |  |
| 3 = BLUE  |  | 3 = BLACK |  |
| 4 = BLACK |  | 4 = WHITE |  |
| 5 = GREY  |  | 5 = GREY  |  |

FPM12A05IYYBR0Y

INCHES ———

01 = WIRING SCHEMATIC 1  
02 = WIRING SCHEMATIC 2

LENGTH  
EX: 06 = 6 INCHES  
12 = 12 INCHES

NOTE: PACKAGED 10 PER BAG

**RoHS COMPLIANT**

UNITS IN INCHES [MM] DO NOT SCALE FROM DRAWING



THESE DRAWINGS AND SPECIFICATIONS ARE THE PROPERTY OF NorComp AND SHALL NOT BE REPRODUCED, COPIED OR USED AS THE BASIS FOR THE MANUFACTURE OR SALE OF APPARATUS WITHOUT WRITTEN PERMISSION.

DRAWN:  
**G. BROWN**  
DATE:  
01/23/2019

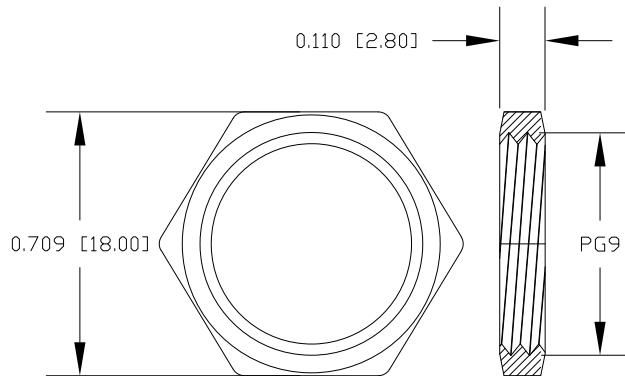
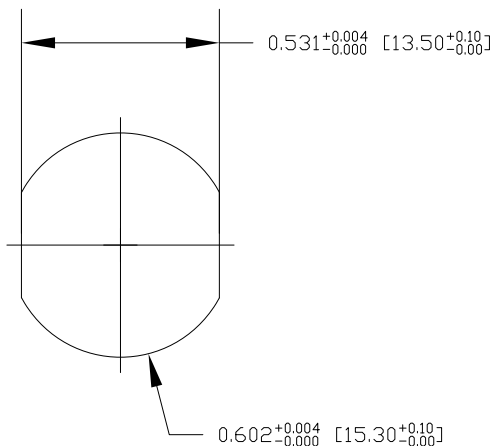
**NorComp**

|                                   |                    |          |
|-----------------------------------|--------------------|----------|
| SCALE:<br>NTS                     | SHEET OF<br>1 OF 2 | REV<br>2 |
| DWG NO.<br><b>FPM12A05IYYBR0Y</b> |                    |          |

DESCRIPTION: M12 5 POSITION STAINLESS STEEL FEMALE PIGTAIL

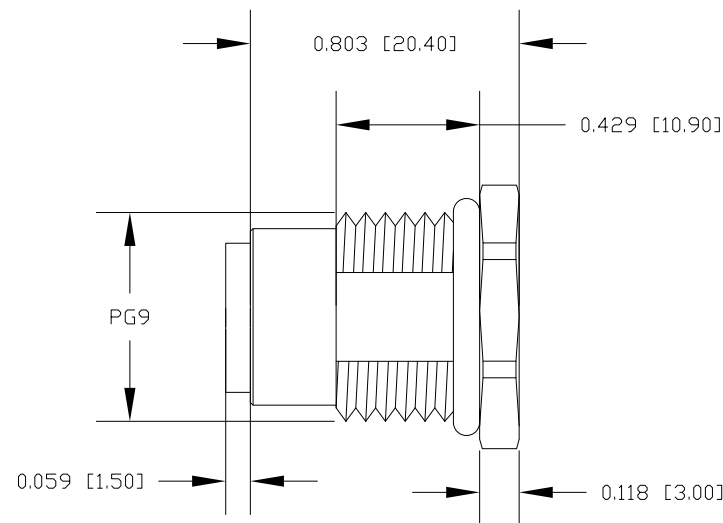
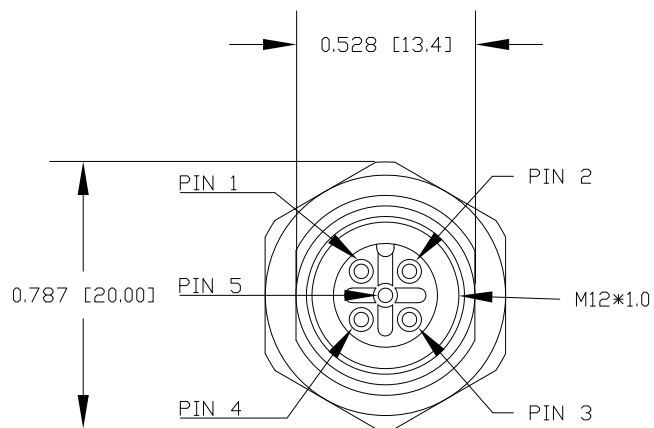
NOTE:

|                        |                       |
|------------------------|-----------------------|
| MATERIAL               |                       |
| HOUSING:               | PBT UL94V-0, BLACK    |
| CONTACT:               | BRASS                 |
| NUT:                   | STAINLESS STEEL 316   |
| SHELL:                 | STAINLESS STEEL 316   |
| O-RING:                | EPDM, BLACK           |
| FINISH                 |                       |
| CONTACT:               | GOLD PLATED 10μ" Min. |
| UNDER PLATE:           | NICKEL                |
| ELECTRICAL             |                       |
| RATED CURRENT:         | 4A                    |
| RATED VOLTAGE:         | 60V                   |
| INSULATION RESISTANCE: | 100MΩ MIN             |
| CONTACT RESISTANCE:    | 10mΩ MAX              |
| WATER PROOF:           | IP67/68               |
| ENVIRONMENT            |                       |
| OPERATION TEMPERATURE: | -40°C ~ +85°C         |



NUT

RECOMMENDED PANEL CUT-OUT



RoHS COMPLIANT

UNITS IN INCHES [MM] DO NOT SCALE FROM DRAWING



THESE DRAWINGS AND SPECIFICATIONS ARE THE PROPERTY OF NorComp AND SHALL NOT BE REPRODUCED, COPIED OR USED AS THE BASIS FOR THE MANUFACTURE OR SALE OF APPARATUS WITHOUT WRITTEN PERMISSION.

DRAWN:  
**G. BROWN**  
DATE:  
**01/23/2019**

**NorComp**

|               |            |                        |          |
|---------------|------------|------------------------|----------|
| SCALE:<br>NTS | SHEET<br>2 | OF<br>2                | REV<br>2 |
| DWG NO.       |            | <b>FPM12A05IYYBR0Y</b> |          |