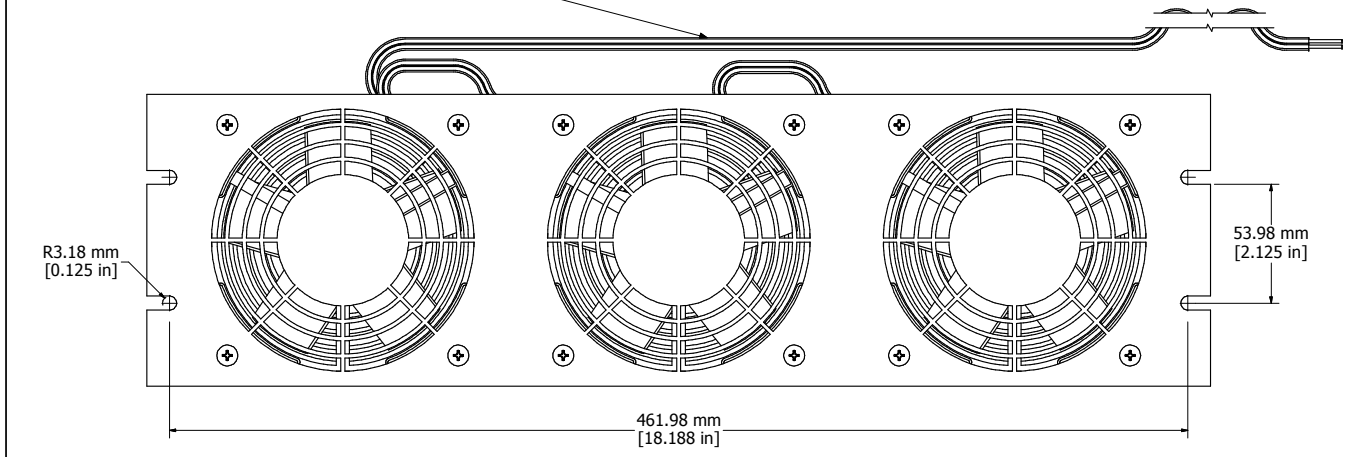


ASSEMBLY - VIEW FROM REAR

ISOMETRIC VIEW

ASSEMBLY - VIEW FROM SIDE

72" INCH POWER CORD
(PIGTAILED FOR 230 VAC HARDWIRING)



ASSEMBLY - VIEW FROM FRONT

FP3F230
Panel - Painted Black Steel
230 VAC, 50/60 Hz, 0.29 Amps, 300 CFM



**HAMMOND
MANUFACTURING™**

FP3F230

www.hammondmfg.com