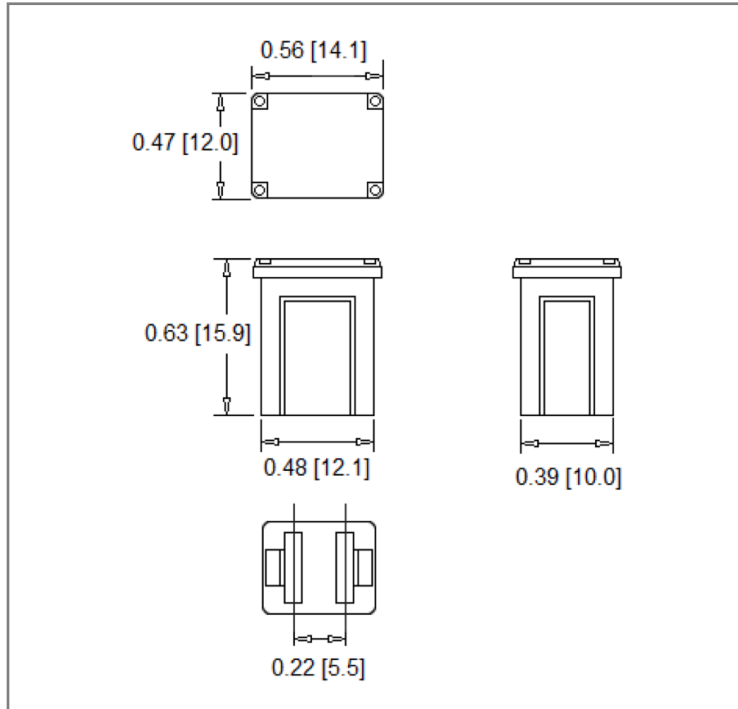


# Automotive Link Fuse, Low Profile

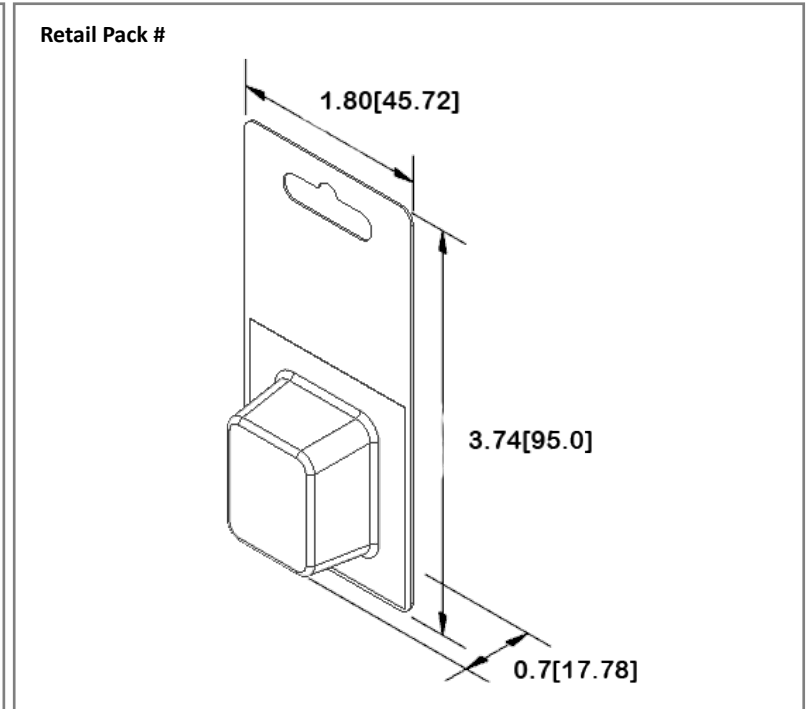
FMX-LP



## Mechanical Dimensions: Inches [mm]



## Retail Pack: Inches [mm]



## Part Numbers Information

Amperage	Body Color	Bulk Part #	Retail Pack # Blister Card	Pack Size
20A	Light Blue	FMX-LP-20A	FMX-LP-20A-BP	1
25A	White	FMX-LP-25A	FMX-LP-25A-BP	1
30A	Pink	FMX-LP-30A	FMX-LP-30A-BP	1
40A	Green	FMX-LP-40A	FMX-LP-40A-BP	1
50A	Red	FMX-LP-50A	FMX-LP-50A-BP	1
60A	Yellow	FMX-LP-60A	FMX-LP-60A-BP	1

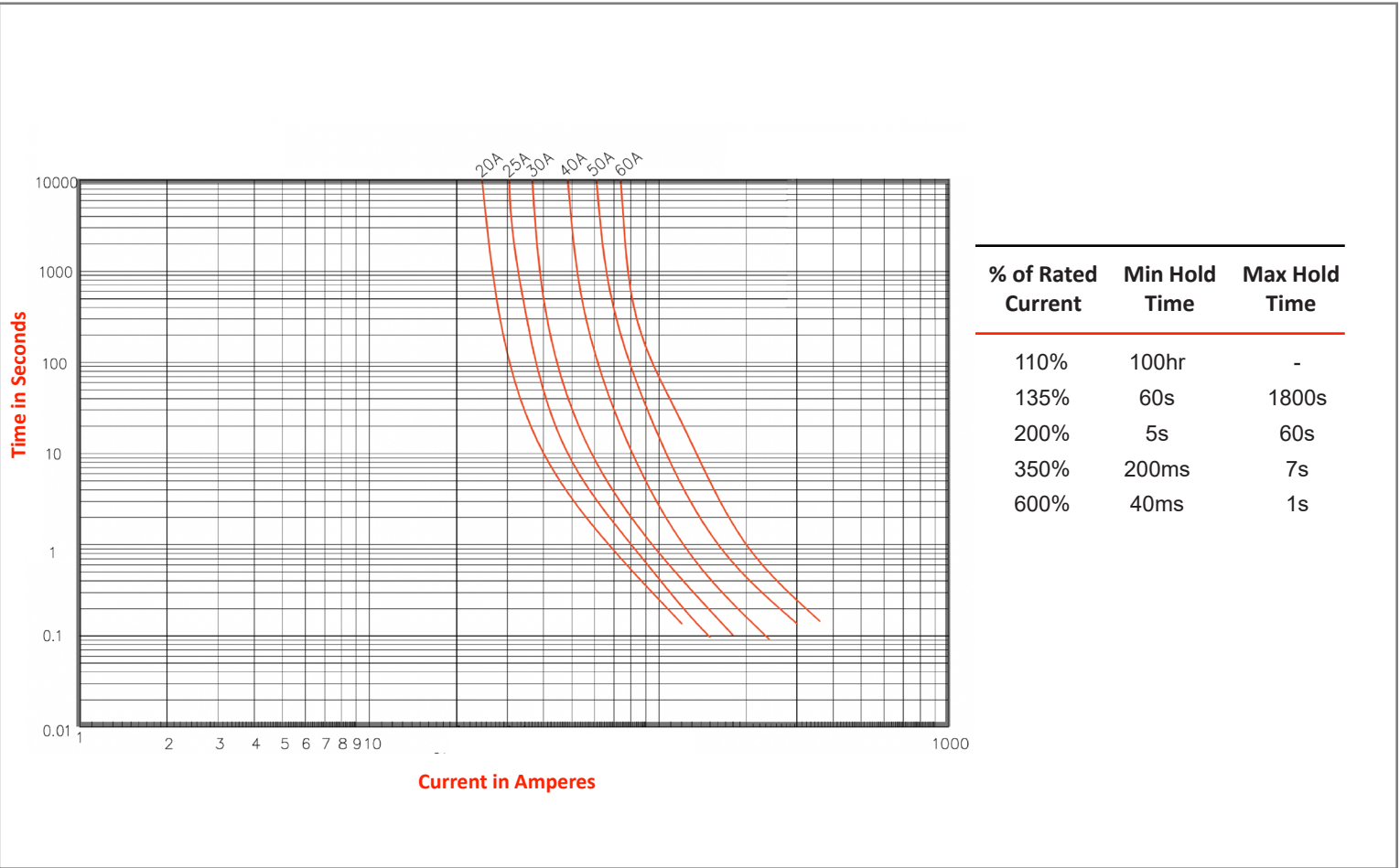
## Electrical Specifications

**Voltage Rating** 58V DC

**Interrupting Rating** 1000A @ 58 VDC

**Operation Temperature** -40°C to +125°C

### Time vs. Percent of Rated Current Curve



**Rev Date of issue Revision Notes**

**Designed Approved**

C	05-22-2023	Initial Drawing	RC	OF
---	------------	-----------------	----	----