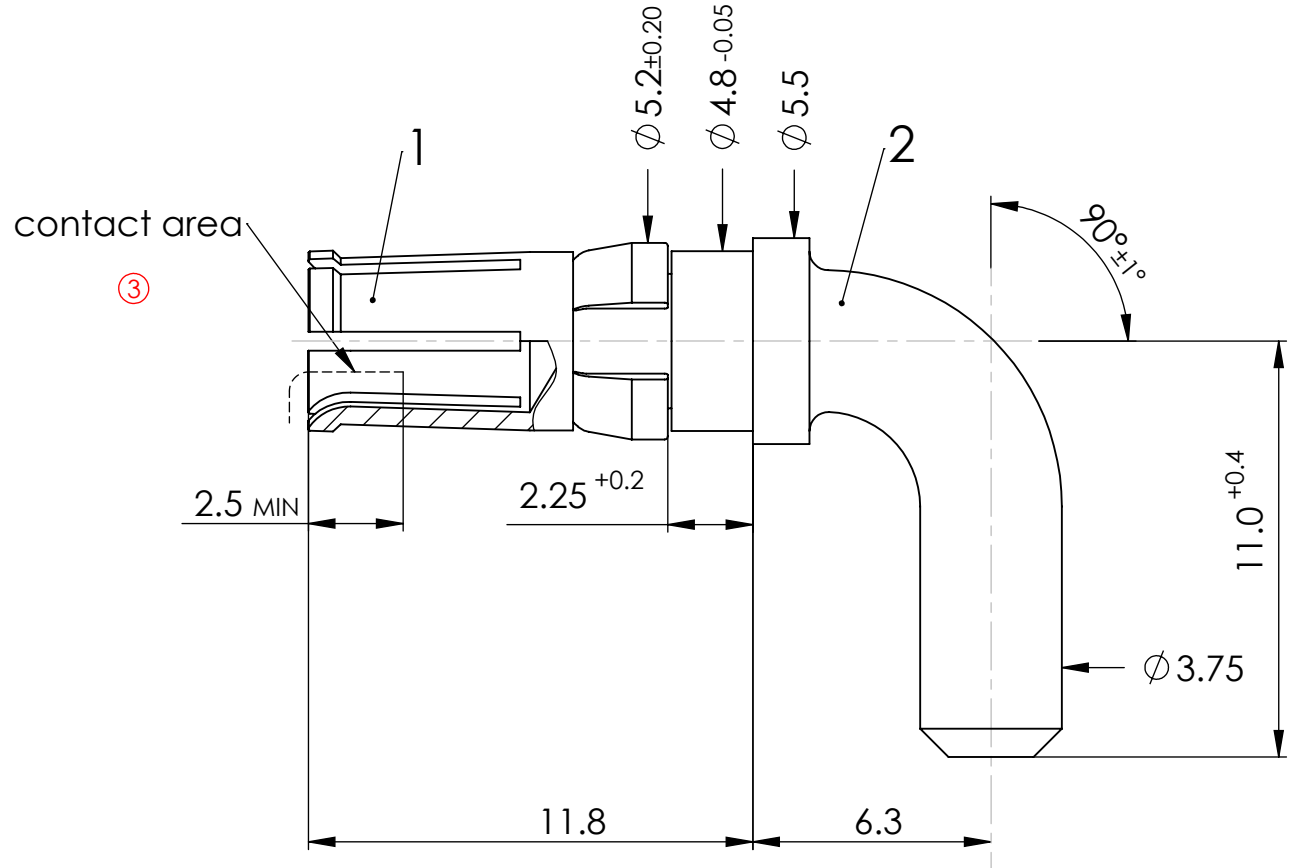
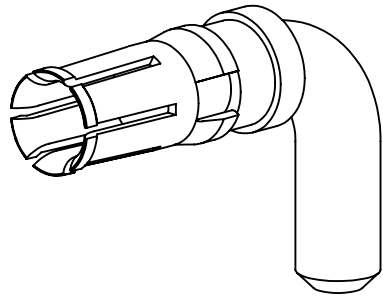


COMMENT:  
 ALL RIGHTS ARE RESERVED BY US FOR THIS DRAWING. WITHOUT OUR PRIOR CONSENT,  
 IT MAY NEITHER BE DUPLICATED NOR MADE AVAILABLE TO A THIRD PARTY,  
 AND IT ALSO MAY NOT BE IMPROPERLY USED BY TE RECEIVER, OR A THIRD PARTY.



CURRENT	40 A	<b>HIGH POWER CONTACT</b>	SCALE	5:1	DATA SHEET	(2)
FOR	D-Sub					
DIMENSIONS IN MM		DRAWN	NAME / DATE			
MATERIAL + FINISH SEE EXTRA SHEET		CHECKED	DBocan 02-09-2003			
UNLESS OTHERWISE SPECIFIED DIMENSIONS FOR REFERENCE ONLY			MTeubel 08-08-2006			
3	08-08-2006	11399			PART NO.	REV.
REV.	DATE	INDEX			FMP009S	3
			ORIGINAL: DIN A4-DRAWING AS A FILE		REPLACEMENT FOR:	PAGE: 1/1