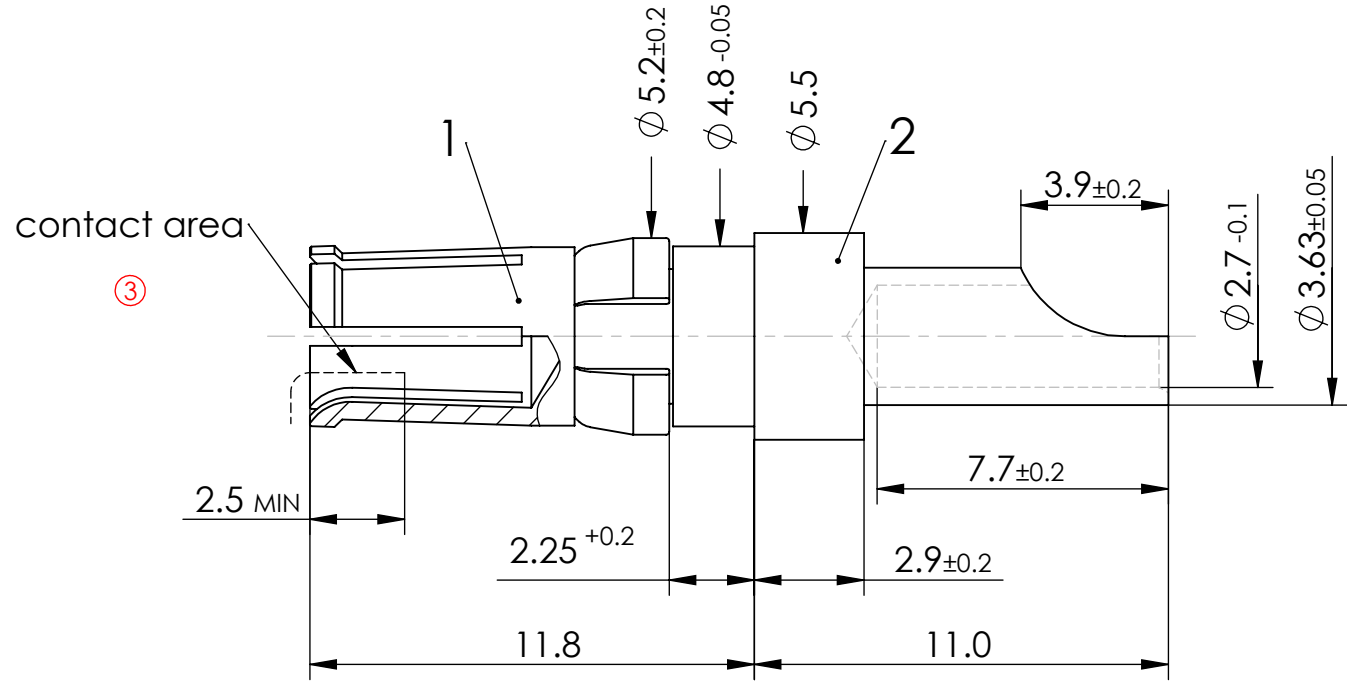
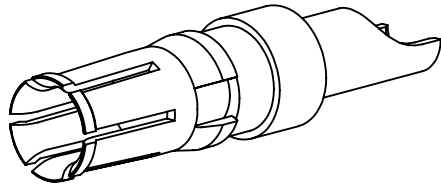


COMMENT:
 ALL RIGHTS ARE RESERVED BY US FOR THIS DRAWING. WITHOUT OUR PRIOR CONSENT,
 IT MAY NEITHER BE DUPLICATED NOR MADE AVAILABLE TO A THIRD PARTY,
 AND IT ALSO MAY NOT BE IMPROPERLY USED BY THE RECEIVER, OR A THIRD PARTY.



CURRENT	20 A	HIGH POWER CONTACT	SCALE	DATA SHEET	②	
FOR	D-Sub		5:1			
DIMENSIONS IN MM		DRAWN	NAME / DATE			
MATERIAL + FINISH SEE EXTRA SHEET		CHECKED	DBocan 02-04-2003			
UNLESS OTHERWISE SPECIFIED DIMENSIONS FOR REFERENCE ONLY			MTeubel 08-08-2006			
3	08-08-2006	11399			PART NO.	REV.
REV.	DATE	INDEX			FMP006S	3
			ORIGINAL: DIN A4-DRAWING AS A FILE	REPLACEMENT FOR:	PAGE: 1/1	