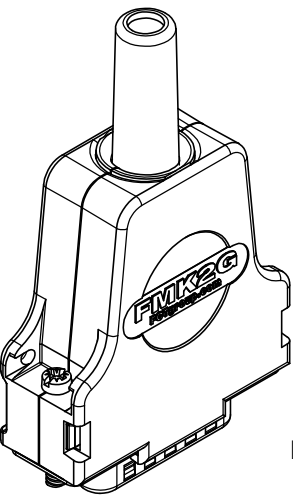


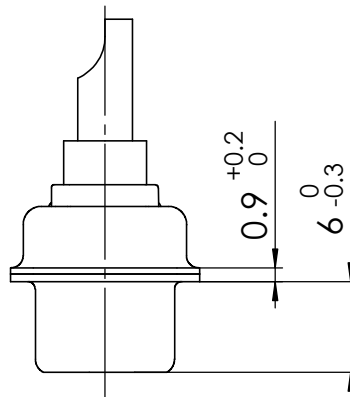
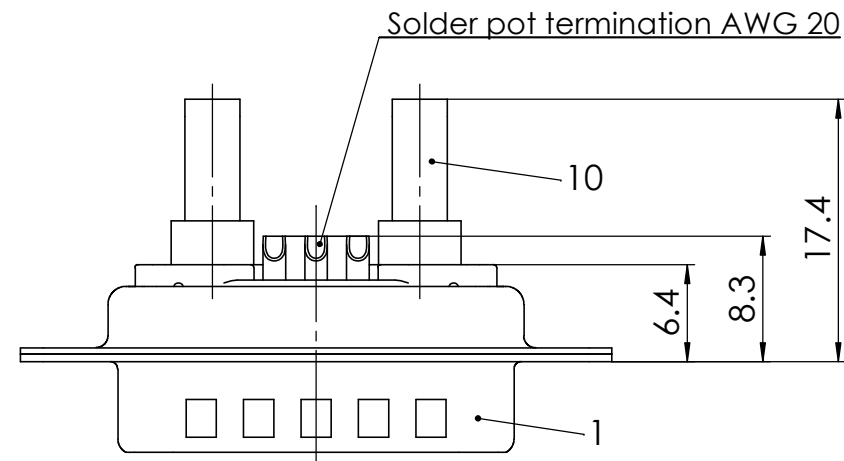
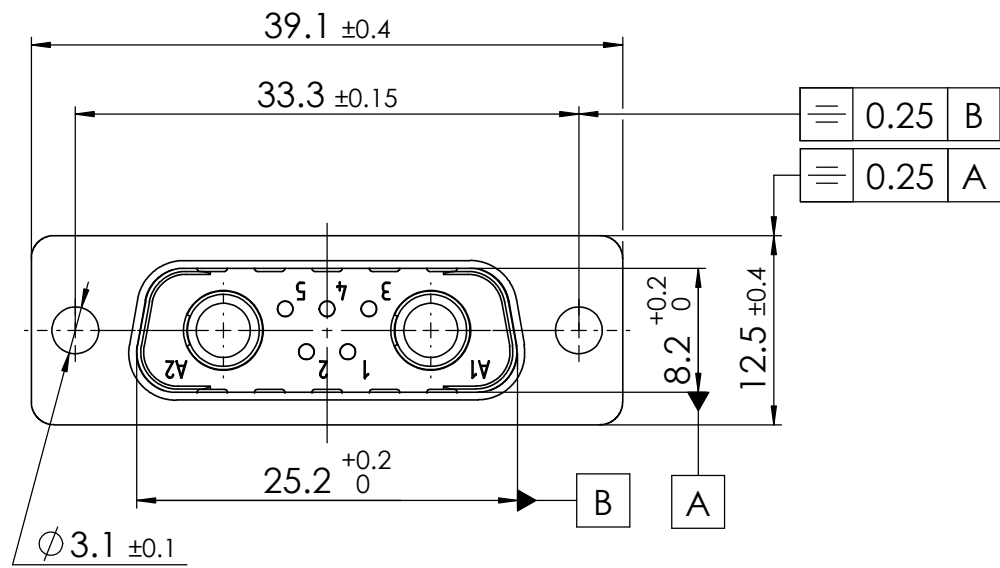
COMMENT: ALL RIGHTS ARE RESERVED BY US FOR THIS DRAWING. WITHOUT OUR PRIOR CONSENT, IT MAY NEITHER BE DUBLICATED NOR MADE AVAILABLE TO A THIRD PARTY. AND IT ALSO MAY NOT BE IMPROPERLY USED BY THE RECEIVER, OR A THIRD PARTY.



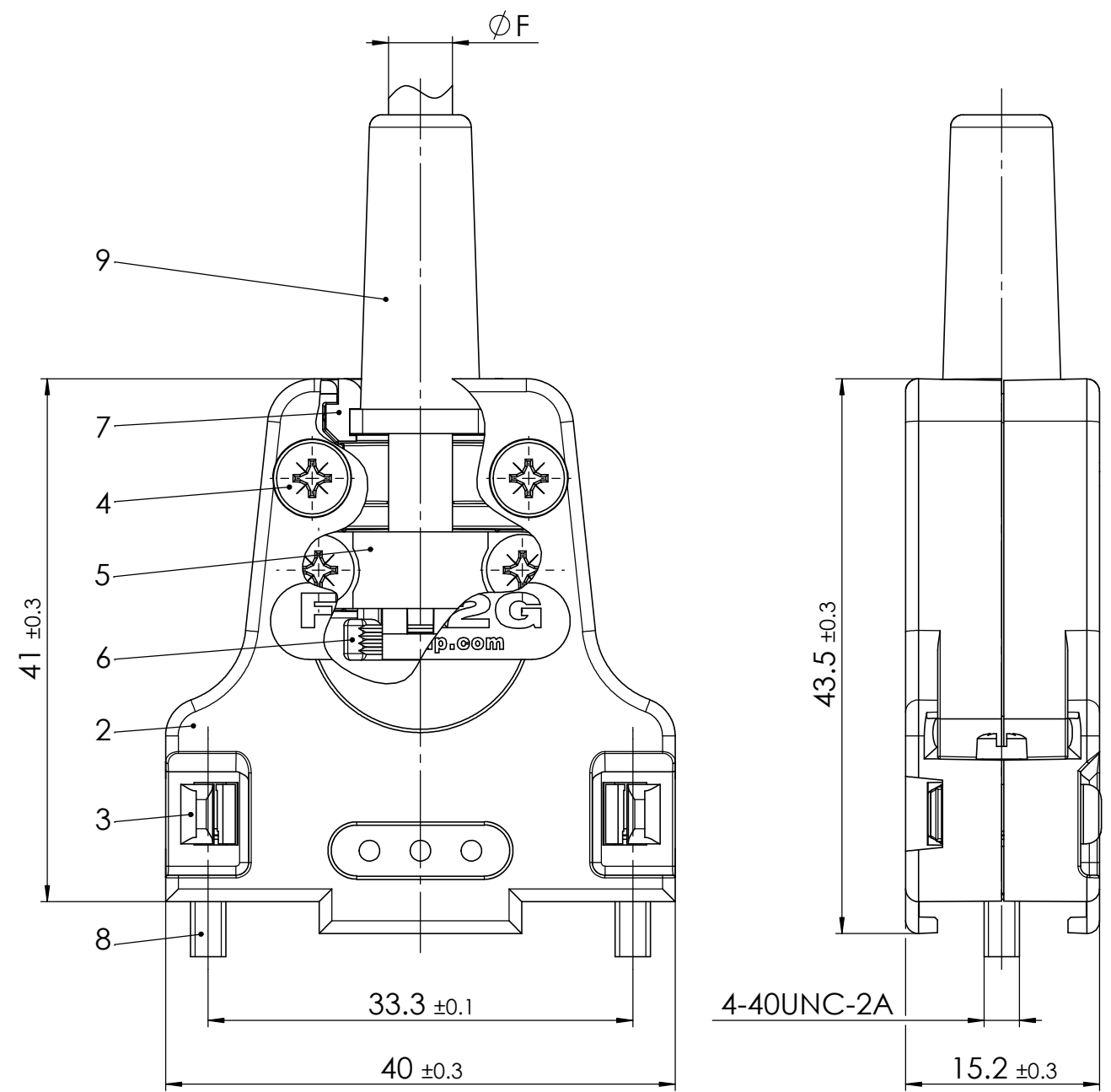
reverse side  
1:1

RoHS compliant

max. torque are 40 Ncm  
Part-No. 9 and 10 not mounted



øF1 = Cable diameter without rubber bushing ø3 - ø8.5mm  
øF2 = Cable diameter with rubber bushing max. 6.5mm



No.	St.	Part	Type Description/Material	Surface plating/Colour/Class
10	2	High power contact	FMP006P204	AuroPur / 20A / AWG 12-16
9	1	Rubber bushing	TPE	black
8	2	Locking screw	FVS1/5-K1163 4-40 / Steel	nickel plated
7	2	Cable reduction plate	Zinc die-cast	nickel plated
6	1	Strain relief	ABS	nickel plated
5	1	Cable clamp	Steel	tin plated
4	4	Screw	Case hardened steel	zinc plated
3	2	Catch spring	PEI	black
2	1	Hood	FMK2G / Zinc die-cast	nickel plated
1	1	Mixed-Layout Connector	FM7W2PA-K120	

REV.	DATE	CH.-NO.	ORIGINAL: DIN A3-DRAWING AS A FILE	REPLACEMENT FOR:	PAGES
1					1

<p>Measurement without tolerance occ. to ISO 2768-m</p> <p>SCALE 2:1</p> <p>TITLE</p> <p>NAME / DATE ameyerrichte 13-10-2016</p> <p>DRAWN</p> <p>CHECKED BWittef 14-10-2016</p> <p><b>FCT</b> a molex company</p>	<p>Hood Connector Set</p> <p>DWG.NO. FMK2G-7W2PA-5935</p> <p>REV. 1</p>
---------------------------------------------------------------------------------------------------------------------------------------------------------------------------------------------------------------------------------------	-------------------------------------------------------------------------