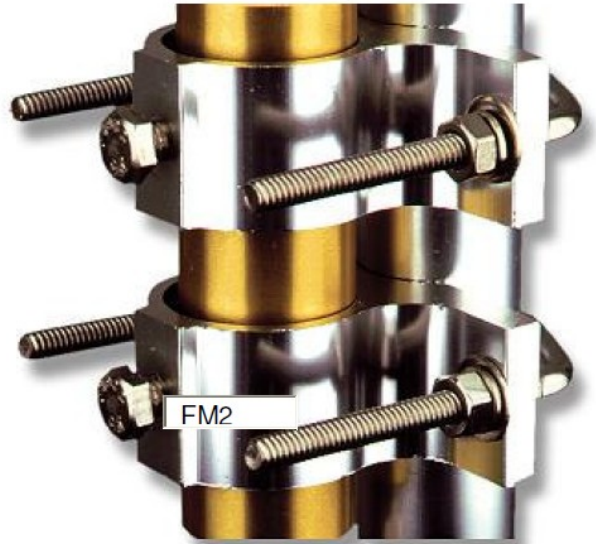
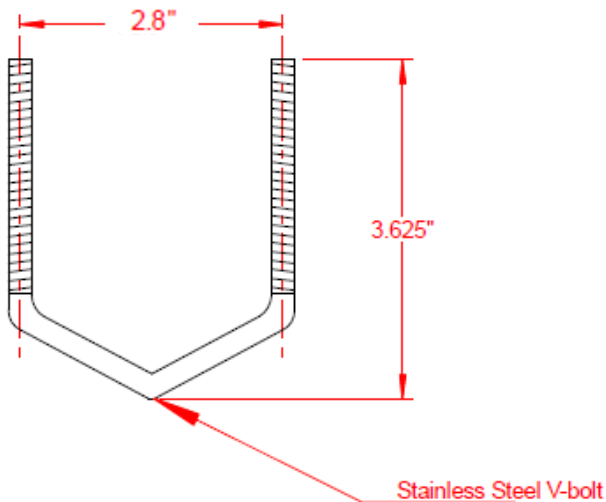
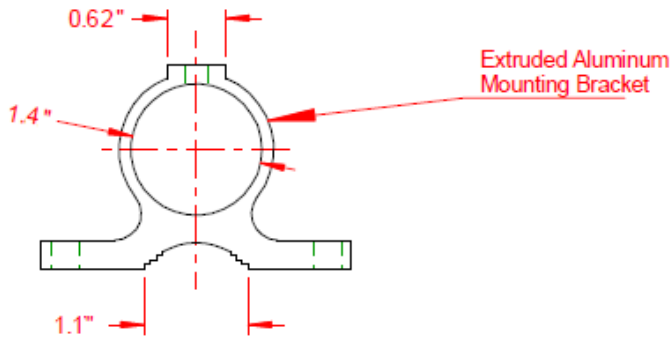
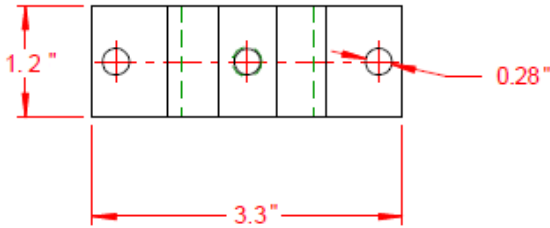


FM2 bracket
for reference only



**FM2 - MOUNTING
BRACKET**

FM2 includes 1 pair of aluminum mounting brackets and u-bolt hardware

Technical Data - Product Features & Information

- **VSWR:**
<2:1 at resonance
- **Maximum Power:**
200 watts - Most VHF and UHF and above models.
- **Impedance:**
50 ohms, Models with DC continuity.
- **Mounting Sleeve:**
Heavy wall, gold anodized 1 1/4" aluminum.
- **Radiator:**
Precision copper clad elements sealed in white ultraviolet-inhibiting fiberglass radome.
- **Mounts to:**
See optional mounting kits listed.
- **DC Grounded:**
All models excluding FG24005, FG24008, and FG8063WPTNF.
- **Vertical Beam Width:**

Unity	3 dBd	5 dBd	6 dBd	7 dBd
75	33	20	17	14
- **Antenna Weight:**
VHF 3 dBd & UHF 7 dBd = 8 lbs.
All others = 6 lbs. (or less)
- **Termination:**
Recessed type "N" female connector.
- **Wind Survival:**
125 M.P.H.
- **Polarization:**
Vertical Polarization.



FM1



FM2



FM3



FM3W



FMW4

Model	Frequency Range	Tuned Frequency	Gain	Length	Maximum Power
-------	-----------------	-----------------	------	--------	---------------

UHF Models

FG4507	450-460 MHz	455 MHz	7 dBd	107"	200 Watts
FG4603	460-470 MHz	465 MHz	3 dBd	44"	200 Watts
FG4605	460-470 MHz	465 MHz	5 dBd	76"	200 Watts
FG4607	460-470 MHz	465 MHz	7 dBd	107"	200 Watts
FG4705	470-480 MHz	475 MHz	5 dBd	76"	200 Watts
FG4900	490-512 MHz	501 MHz	Unity	26"	200 Watts
FG4907	490-500 MHz	495 MHz	7 dBd	107"	200 Watts
FG5003	500-512 MHz	506 MHz	3 dBd	44"	200 Watts
FG5007	500-512 MHz	506 MHz	7 dBd	107"	200 Watts

700 - 900 MHz Models

FG7463	746-796 MHz	771 MHz	3 dBd	23 1/2"	200 Watts
FG7466	746-796 MHz	771 MHz	6 dBd	61"	200 Watts
FG8060	806-866 MHz	813.5 MHz	Unity	15"	200 Watts
FG8063	806-866 MHz	813.5 MHz	3 dBd	25"	200 Watts
FG8063WPTNF	806-896 MHz	851 MHz	3 dBd	29"	200 Watts
FG8066	806-866 MHz	813.5 MHz	6 dBd	65"	200 Watts
FG8240	824-896 MHz	835 MHz	Unity	15"	200 Watts
FG8243	824-896 MHz	835 MHz	3 dBd	25"	200 Watts
FG8246	824-896 MHz	835 MHz	6 dBd	65"	200 Watts
FG8693	869-902 MHz	882 MHz	3 dBd	25"	200 Watts
FG8960	896-940 MHz	898 MHz	Unity	15"	200 Watts
FG8963	896-940 MHz	898 MHz	3 dBd	25"	200 Watts
FG8966	896-940 MHz	898 MHz	6 dBd	65"	200 Watts
FG9023	902-928 MHz	915 MHz	3 dBd	25"	200 Watts
FG9026	902-928 MHz	915 MHz	6 dBd	65"	200 Watts
FG9283	928-970 MHz	930 MHz	3 dBd	25"	200 Watts
FG9360	936-970 MHz	953 MHz	Unity	15"	200 Watts
FG9286	928-970 MHz	930 MHz	6 dBd	65"	200 Watts
FG9366	936-970 MHz	953 MHz	6 dBd	65"	200 Watts

2.4 GHz Models

FG24005	2400-2500 MHz	2450 MHz	5 dBi	14"	100 Watts
FG24008	2400-2500 MHz	2450 MHz	8 dBi	24"	100 Watts

Dual Band Model

FG821/18503	821-896 MHz	858.5 MHz	Unity	14"	100 watts
	1850-1990 MHz	1920 MHz	3 dBd		

Fiberglass Base Antennas Mounting Options

FM1	Stainless Steel U-Bolt Mount (2)
FM2	Fiberglass Mounting Bracket (2)
FM3	Heavy Duty Large Mount (2)
FM3W	Heavy Duty Large Mount w/weld (2)
FMS9	9 Inch Standoff (2)
FMW4	4 Inch Wall Mount (2)

Fiberglass Base Antenna Accessories

SP3-90-6-BFF	Bulkhead Surge Protector, Bulkhead N Fem to N Fem, 6KA Discharge, .4dB IL, 3 GHz
SP3-90-6-BFM	Bulkhead Surge Protector, Bulkhead N Fem to N Male, 6KA Discharge, .4dB IL, 3 GHz
SP6-230-BFF	DC-6GHz Bulkhead Surge Protector, Bulkhead N Fem to N Fem
SP6-230-BFM	DC-6GHz Bulkhead Surge Protector, Bulkhead N Fem to N Male
CCT213	Heavy Duty Crimp Tool
CN400	Type N Male
R400100	100' Spool High Performance ATX400
R400500	500' Spool High Performance ATX400
PT40025NN	Pigtail 25 ft. ATX400 N to N
PT40050NN	Pigtail 50 ft. ATX400 N to N
PT40075NN	Pigtail 75 ft. ATX400 N to N
PT400100NN	Pigtail 100 ft. ATX400 N to N
IASFST	36 ft. Roll of MOCAP Installation Tape
IASFST10	Six pack of 10" strips of MOCAP Installation Tape

Model	Frequency Range	Gain	Length	Extended Length
VHF Models				
VG1502	150-174 MHz	2 dBi	55"	102"
VG1325	132-150 MHz	5 dBi	55"	102"
VG1505	150-174 MHz	5 dBi	55"	102"
VG1326	132-150 MHz	6 dBi	55"	102"
VG1506	150-174 MHz	6 dBi	55"	102"
VG2002	200-225 MHz	2 dBi	55"	102"

UHF Models				
VG4065	406-450 MHz	5 dBi	25"	35"
VG4505	450-512 MHz	5 dBi	25"	35"
VG4506	450-512 MHz	6 dBi	25"	35"

Model	Description	Mast
-------	-------------	------

Mounting Options		
FM1	Stainless Steel U Bolt Mount (2)	1 7/8"
FM2	Heavy Duty Base Mounting Bracket (2)	2 1/2"

Model	Frequency	Elements	Gain	Front-Back Ratio	Boom Length	Boom Diameter
Gold Anodized Non Welded VHF Models						
Y1363	136-150 MHz	3	7.1 dBd	17 dB	41-1/2"	7/8"
Y1365	136-150 MHz	5	9.2 dBd	20 dB	72"	1-1/4"
Y1503	150-174 MHz	3	7.1 dBd	17 dB	41-1/2"	7/8"
Y1505	150-174 MHz	5	9.2 dBd	20 dB	72"	1-1/4"
Y2203	220-250 MHz	3	7.1 dBd	17 dB	41-1/2"	7/8"
Y2205	220-250 MHz	5	9.2 dBd	20 dB	72"	1-1/4"

Gold Anodized Fully Welded VHF Models*						
YXXX3W	User Defined	3	7.1 dBd	17 dB	41-1/2"	7/8"
YXXX5W	User Defined	5	9.2 dBd	20 dB	72"	1-1/4"

*may require truck freight

Gold Anodized Fully Welded UHF Models						
Y4065	406-430 MHz	5	9.2 dBd	20 dB	37"	7/8"
Y4066	406-430 MHz	6	10.2 dBd	20 dB	44"	7/8"
Y4303	430-450 MHz	3	7.1 dBd	17 dB	20-3/16"	7/8"
Y4305	430-450 MHz	5	9.2 dBd	20 dB	37"	7/8"
Y4306	430-450 MHz	6	10.2 dBd	20 dB	44"	7/8"
Y43012	430-450 MHz	12	11 dBd	20 dB	68 -1/16"	1-1/4"
Y4503	450-470 MHz	3	7.1 dBd	17 dB	20-3/16"	7/8"
Y4505	450-470 MHz	5	9.2 dBd	20 dB	37"	7/8"
Y4506	450-470 MHz	6	10.2 dBd	20 dB	44"	7/8"
Y45012	450-470 MHz	12	11 dBd	20 dB	68 -1/16"	1-1/4"
Y4705	470-490 MHz	5	9.2 dBd	20 dB	37"	7/8"
Y4706	470-490 MHz	6	10.2 dBd	20 dB	44"	7/8"

Gold Anodized Fully Welded 800/900 MHz Models						
Y8063	806-896 MHz	3	6 dBd	15 dB	16-3/4"	7/8"
Y8066	806-896 MHz	6	9 dBd	16 dB	27-11/16"	7/8"
Y80612	806-896 MHz	12	11 dBd	20 dB	48-7/8"	7/8"
Y8963	896-970 MHz	3	6 dBd	15 dB	16 3/4"	7/8"
Y8966	896-970 MHz	6	9 dBd	16 dB	27 11/16"	7/8"
Y89612	896-970 MHz	12	11 dBd	20 dB	48-7/8"	7/8"
Y80618	806-896 MHz	18	14 dBd	25 dB	69 7/8"	1"
Y89618	896-870 MHz	18	14 dBd	25 dB	69 7/8"	1"

Voyager®

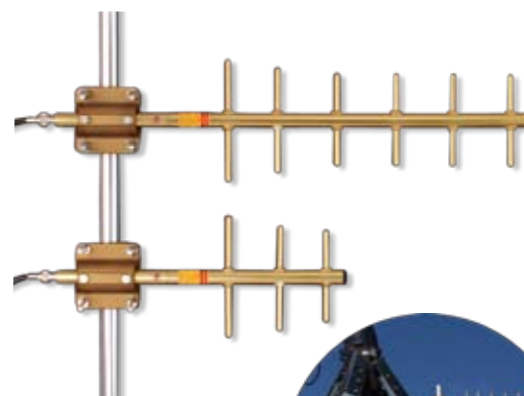
- Field tunable for quick field deployment
- Rugged design performs in harsh environments
- UV inhibiting insulators will not crack, decay, or disassemble with UV exposure

VG1505 and VG4505 shown with optional FM2 Mounting Kit



Directional Yagis

- 360 Fully Welded Gold Anodized models or value leader Silver Series available
- Line up includes 3 element/7.1 dBd gain to 18 element/14 dBd gain variations
- Internal matching design will not ice up, detune, or corrode
- VHF Custom tuning available



Y8066 and Y8063 shown with YM78HD Heavy Duty Mounting Kit



NOTICE: Although the information and recommendations set forth herein (hereinafter "information") are presented in good faith and believed to be correct as of the date hereof, Laird Technologies makes no representation or warranties as to the completeness or accuracy thereof. Information is supplied upon the condition that the persons receiving same will make their own determination as to its suitability for their purposes prior to use. In no event will Laird Technologies be responsible for damages of any nature whatsoever resulting from the use or reliance upon information or the product to which information refers. Nothing contained herein is to be construed as a recommendation to use any product, process, equipment or formulation in conflict with any patent, and Laird Technologies makes no representation or warranty, expressed or implied, that the use thereof will not infringe any patent. The data set forth in all tables, charts, graphs and figures herein are based on samples tested and are not guaranteed for all samples or applications. Such data are intended as guides and do not reflect product specifications for any particular product. NO REPRESENTATION OR WARRANTIES, EITHER EXPRESSED OR IMPLIED, OR MERCHANTABILITY, FITNESS FOR A PARTICULAR PURPOSE OR OF ANY OTHER NATURE ARE MADE HEREUNDER WITH RESPECT TO INFORMATION OR THE PRODUCT TO WHICH INFORMATION REFERS.

global solutions : local support.™

Laird Technologies is the world-leader in the design and supply of customized performance-critical products for wireless and other advanced electronic applications. Laird Technologies partners with its customers to help find solutions for applications in various industries such as Aerospace, Automotive Electronics, Computer, Consumer Electronics, Data Communications, Medical Equipment, Military, Network Equipment, and Telecommunications industries.



1751 Wilkening Ct
Schaumburg
IL 60173
USA
Tel: +1.847.839.6000
Fax: +1.847.839.6035



sales@lairdtech.com
www.lairdtech.com

ANT-CAT-Base Station 0208