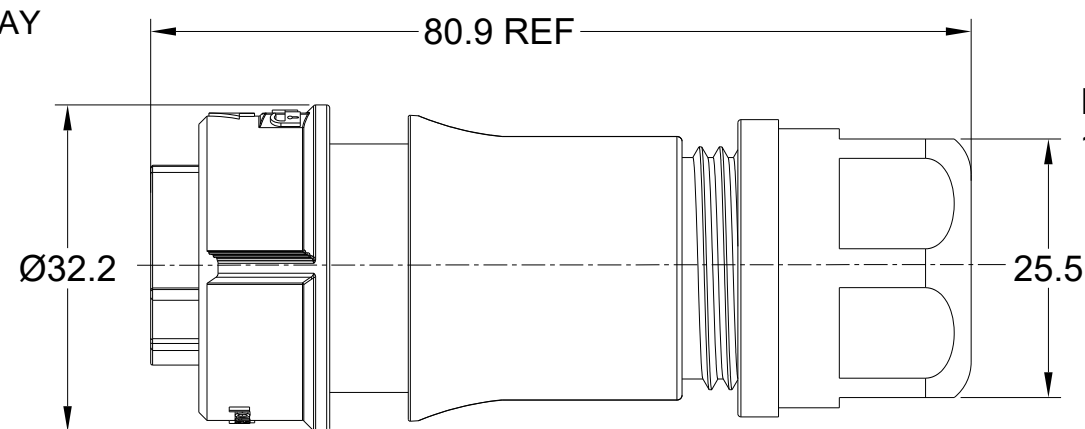
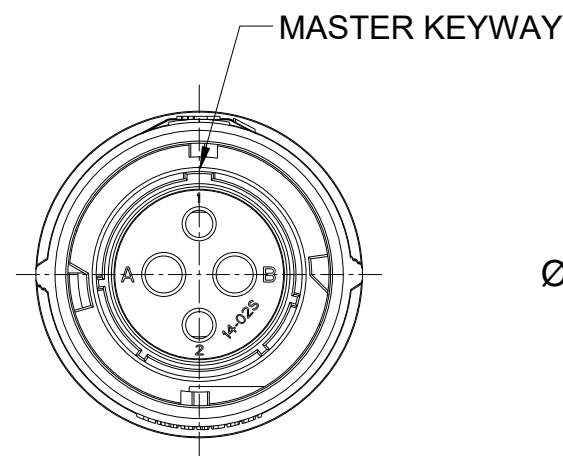
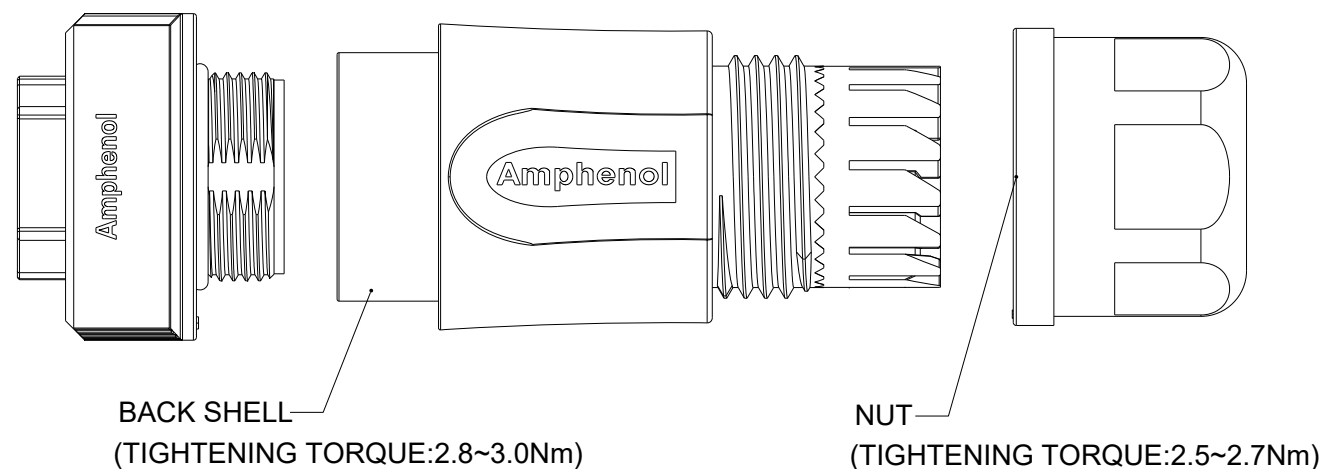
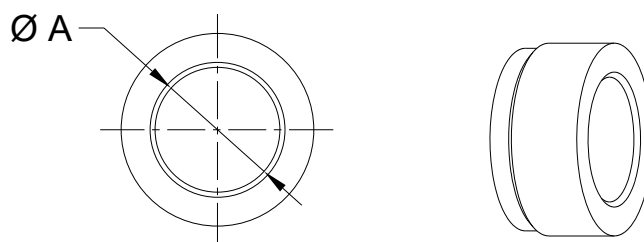
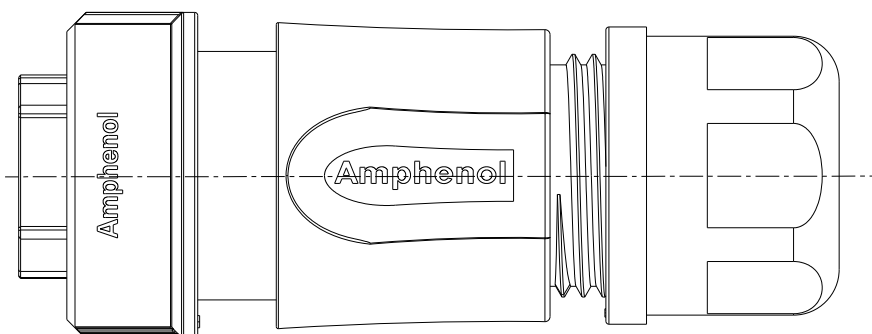
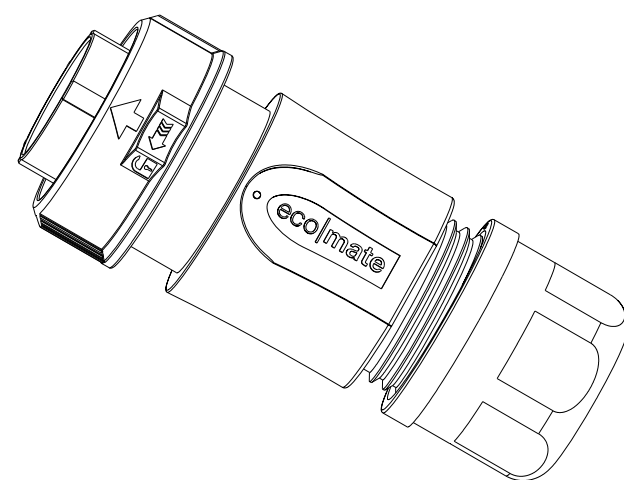


REVISIONS					
REV	ECO	DESCRIPTION	DATE	BY	APPR
A1	--	RELEASED DRAWING	NOV-23-2021	BLINK	TOMMY
A2	--	UPDATED NOTE 2.6	APR-26-2023	RO	RO



NOTES: (UNLESS OTHERWISE SPECIFIED)

- MATERIAL:**
 SHELL/COUPLING NUT: THERMOPLASTIC, BLACK, UL94 V-0.
 INSERT: THERMOPLASTIC, BLACK, UL94 V-0.
 SPRING: STAINLESS STEEL.
 O-RING: SILICONE RUBBER.
 BACK SHELL/CLAMP NUT: THERMOPLASTIC, BLACK, UL94 V-0.
 CLAMP RING: THERMOPLASTIC, BLACK, UL94 V-0.
 CABLE SEAL: EPDM, BLACK.
- SPECIFICATIONS:**
 2.1 RATED CURRENT: SEE TABLE 2.
 2.2 RATED VOLTAGE: SEE TABLE 2.
 2.3 OPERATING TEMPERATURE: -40°C~125°C.
 2.4 DIELECTRIC WITHSTANDING VOLTAGE: SEE TABLE 1.
 2.5 INSULATION RESISTANCE: 5000 MEGOHMS MIN.
 2.6 IP--CLASS: IP67 AND IP69K IN MATED CONDITION. IP68, 1.8M (1 FATHOM) FOR A PERIOD OF 1 HOUR IN MATED CONDITION
 2.7 MATING CYCLES DURABILITY: 500 CYCLES MIN.
 2.8 RoHS COMPLIANT.
- SUITABLE CONTACTS :** SEE TABLE 2.
- ALL DIMENSIONS ARE FOR REFERENCE USE ONLY.**



DIMENSION ØA	CABLE OD RANGE
12.3MM	6.0-12.0mm
14.3MM	9.0-14.0mm

QUANTITY	PART NUMBER	DESCRIPTION	ITEM
MATERIALS LIST			
UNLESS OTHERWISE SPECIFIED 1) All dimensions are in metric(mm). 2) Tolerances are as follows: 1 PL DEC ±0.30 2 PL DEC ±0.15 3 PL DEC ±0.08 Fractions ±1/64 Angles ±1° 3) Note reference = X		SIGNATURES DATE DRAWN: BLINK NOV-23-21 CHECKED: ORION NOV-24-21 ENGINEER: APPROVAL: TOMMY NOV-25-21 CUSTOMER:	
MATERIAL SPECIFICATIONS:		Amphenol Sine Systems - www.amphenol-sine.com 44724 Morley Drive Clinton Township, MI 48036 EcoMate Aquarius, PLUG,xx POSITION, FEMALE, SHELL SIZE 14, BACK SHELL.	
PROCESS SPECIFICATIONS:			
NEXT ASSY:		THIS DRAWING IS SUPPLIED FOR INFORMATION ONLY. DESIGN FEATURES, SPECIFICATIONS AND PERFORMANCE DATA SHOWN HEREON ARE THE PROPERTY OF THE AMPHENOL CORPORATION. NO RIGHTS OF REPRODUCTION ARE IMPLIED. ALL DIMENSIONS ARE SUBJECT TO NORMAL MANUFACTURING VARIATIONS.	SIZE: B TYPE: C- SCALE: NONE
		DWG NO: FLS6BS14xxxS03	REVISION: A2
		SHEET 1 OF 7	

TITLE: EcoMate Aquarius, PLUG,xx POSITION, FEMALE, SHELL SIZE 14, BACK SHELL. DWG NO: FLS6BS14xxxS03 REV: A2 SH: 1 OF: 1

REVISIONS					
REV	ECO	DESCRIPTION	DATE	BY	APPR
A1	--	RELEASED DRAWING	NOV-23-2021	BLINK	TOMMY
A2	--	UPDATED NOTE 2.6	APR-26-2023	RO	RO

ORDERING INFORMATION:

FLS6BS14xxxS03

PROTECTION KEY:(SEE TABLE 1):
N KEY(STANADRD VERSION)

- W KEY
- X KEY
- Y KEY
- Z KEY

STANDS FOR INSERT ARRANGEMENT:

- 2 - 4(2+2) CORES.
- 3 - 3 CORES.
- 4 - 4 CORES.
- 7 - 7 CORES.
- 8 - 8 CORES.
- 12 - 12 CORES.
- 19 - 19 CORES.

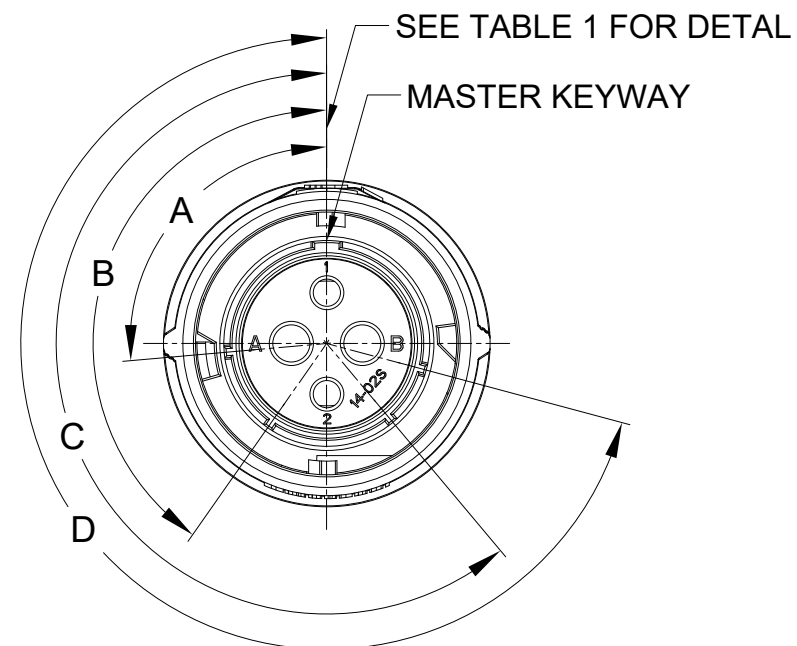


TABLE 1:

KEY POS	A	B	C	D
N	105°	140°	215°	265°
W	60°	140°	215°	265°
X	105°	160°	215°	265°
Y	105°	140°	225°	265°
Z	105°	140°	215°	295°

QUANTITY	PART NUMBER	DESCRIPTION	ITEM								
MATERIALS LIST											
<small>UNLESS OTHERWISE SPECIFIED</small> 1) All dimensions are in metric(mm). 2) Tolerances are as follows: 1 PL DEC ±0.30 2 PL DEC ±0.15 3 PL DEC ±0.08 Fractions ±1/64 Angles ±1° 3) Note reference =		SIGNATURES DATE DRAWN: BLINK NOV-23-21 CHECKED: ORION NOV-24-21 ENGINEER: APPROVAL: TOMMY NOV-25-21									
MATERIAL SPECIFICATIONS: PROCESS SPECIFICATIONS: THIS DRAWING IS SUPPLIED FOR INFORMATION ONLY. DESIGN FEATURES, SPECIFICATIONS AND PERFORMANCE DATA SHOWN HEREON ARE THE PROPERTY OF THE AMPHENOL CORPORATION. NO RIGHTS OF REPRODUCTION ARE IMPLIED. ALL DIMENSIONS ARE SUBJECT TO NORMAL MANUFACTURING VARIATIONS.		<div style="text-align: center;"> Sine Systems - www.amphenol-sine.com 44724 Morley Drive Clinton Township, MI 48036 </div> <div style="text-align: center;"> EcoMate Aquarius, PLUG, xx POSITION, FEMALE, SHELL SIZE 14, BACK SHELL. </div>									
NEXT ASSY:		THIS DRAWING IS SUPPLIED FOR INFORMATION ONLY. DESIGN FEATURES, SPECIFICATIONS AND PERFORMANCE DATA SHOWN HEREON ARE THE PROPERTY OF THE AMPHENOL CORPORATION. NO RIGHTS OF REPRODUCTION ARE IMPLIED. ALL DIMENSIONS ARE SUBJECT TO NORMAL MANUFACTURING VARIATIONS.	<table border="1"> <tr> <td>SIZE</td> <td>TYPE</td> <td>DWG NO.</td> <td>REVISION</td> </tr> <tr> <td>B</td> <td>C-</td> <td>FLS6BS14xxxS03</td> <td>A2</td> </tr> </table>	SIZE	TYPE	DWG NO.	REVISION	B	C-	FLS6BS14xxxS03	A2
SIZE	TYPE	DWG NO.	REVISION								
B	C-	FLS6BS14xxxS03	A2								
SCALE: NONE		SHEET 2 OF 7									

TITLE: EcoMate Aquarius, PLUG, xx POSITION, FEMALE, SHELL SIZE 14, BACK SHELL.

DWG NO: FLS6BS14XXXS03

REV: A2

SH: 1

OF: 1

REVISIONS					
REV	ECO	DESCRIPTION	DATE	BY	APPR
A1	--	RELEASED DRAWING	NOV-23-2021	BLINK	TOMMY
A2	--	UPDATED NOTE 2.6	APR-26-2023	RO	RO

TABLE 2:

PART NUMBER	FLS6BS14x3S03	FLS6BS14x4S03	FLS6BS14x2S03	FLS6BS14x7S03	FLS6BS14x8S03
FEMALE INSERT ARRANGEMENT FRONT VIEW					
SUITABLE CONTACTS	3 x Size 8 (3.6mm ²)	4 x Size 12 (2.5mm ²)	2 x Size 16 (1.5mm ²) 2 x Size 12 (2.5mm ²)	7 x Size 16 (1.5mm ²)	8 x Size 16 (1.5mm ²)
RATED CURRENT	45A	25A-MACHINED CONT. 23A-STAMPED CONT.	(2.5mm) 25A-MACHINED CONT. (2.5mm) 23A-STAMPED CONT. (16#)13A	13A	13A
RATED VOLTAGE	600V AC/DC	500V AC/DC	500V AC/DC	500V AC/DC	500V AC/DC
DIELECTRIC WITHSTANDING VOLTAGE	2200V AC	2000V AC	2000V AC	2000V AC	2000V AC

PART NUMBER	FLS6BS14x12S03	FLS6BS14x19S03
FEMALE INSERT ARRANGEMENT FRONT VIEW		
SUITABLE CONTACTS	16# CONTACTS	20# CONTACTS
RATED CURRENT	13A	7.5A-MACHINED CONT. 5A-STAMPED CONT.
RATED VOLTAGE	500V AC/DC	250V AC/DC
DIELECTRIC WITHSTANDING VOLTAGE	2000V AC	1500V AC

QUANTITY	PART NUMBER	DESCRIPTION	ITEM
MATERIALS LIST			
UNLESS OTHERWISE SPECIFIED		SIGNATURES	DATE
1) All dimensions are in metric (mm).		DRAWN: BLINK	NOV-23-21
2) Tolerances are as follows:		CHECKED: ORION	NOV-24-21
1 PL DEC ±0.30		ENGINEER:	
2 PL DEC ±0.15		APPROVAL: TOMMY	NOV-25-21
3 PL DEC ±0.08		CUSTOMER:	
3) Note reference =		THIS DRAWING IS SUPPLIED FOR INFORMATION ONLY. DESIGN FEATURES, SPECIFICATIONS AND PERFORMANCE DATA SHOWN HEREON ARE THE PROPERTY OF THE AMPHENOL CORPORATION. NO RIGHTS OF REPRODUCTION ARE IMPLIED. ALL DIMENSIONS ARE SUBJECT TO NORMAL MANUFACTURING VARIATIONS.	
MATERIAL SPECIFICATIONS:		EcoMate Aquarius, PLUG, xx POSITION, FEMALE, SHELL SIZE 14, BACK SHELL.	
PROCESS SPECIFICATIONS:		SIZE: B	TYPE: C-
NEXT ASSY:		DWG NO: FLS6BS14xxxS03	REVISION: A2
		SCALE: NONE	SHEET 3 OF 7

TITLE: EcoMate Aquarius, PLUG, xx POSITION, FEMALE, SHELL SIZE 14, BACK SHELL. DWG NO: FLS6BS14xxxS03 REV: A2 SH: 1 OF: 1

ecomate® RM/RSSM/Aquarius™ - Contact Size 20 Options

Machined, Crimp Contacts				
Part Number		Contact Size (AWG)	Wire Range (mm ²)	Plating
Male	Female			
MP20W23F	MS20W23F	22-20AWG	0.34-0.50 mm ²	Gold Flash
MP20W23G5	MS20W23G5	22-20AWG	0.34-0.50 mm ²	Gold 5μ"
MP20W23G10	MS20W23G10	22-20AWG	0.34-0.50 mm ²	Gold 10μ"
MP20W23G15	MS20W23G15	22-20AWG	0.34-0.50 mm ²	Gold 15μ"
MP20W23G30	MS20W23G30	22-20AWG	0.34-0.50 mm ²	Gold 30μ"
MP24W23F	MS24W23F	26-24AWG	0.14-0.25 mm ²	Gold Flash
MP24W23G5	MS24W23G5	26-24AWG	0.14-0.25 mm ²	Gold 5μ"
MP24W23G10	MS24W23G10	26-24AWG	0.14-0.25 mm ²	Gold 10μ"
MP24W23G15	MS24W23G15	26-24AWG	0.14-0.25 mm ²	Gold 15μ"
MP24W23G30	MS24W23G30	26-24AWG	0.14-0.25 mm ²	Gold 30μ"
MP28W23F	MS28W23F	30-28AWG	0.05-0.08 mm ²	Gold Flash
MP28W23G5	MS28W23G5	30-28AWG	0.05-0.08 mm ²	Gold 5μ"
MP28W23G10	MS28W23G10	30-28AWG	0.05-0.08 mm ²	Gold 10μ"
MP28W23G15	MS28W23G15	30-28AWG	0.05-0.08 mm ²	Gold 15μ"
MP28W23G30	MS28W23G30	30-28AWG	0.05-0.08 mm ²	Gold 30μ"

Stamped & Formed, Crimp Contacts				
Part Number		Contact Size (AWG)	Wire Range (mm ²)	Plating
Male	Female			
SP20W2F	SS20W2F	22-20AWG	0.34-0.50 mm ²	Gold Flash
SP20W2G5	SS20W2G5	22-20AWG	0.34-0.50 mm ²	Gold 5μ"
SP20W2G10	SS20W2G10	22-20AWG	0.34-0.50 mm ²	Gold 10μ"
SP20W2G15	SS20W2G15	22-20AWG	0.34-0.50 mm ²	Gold 15μ"
SP20W2G30	SS20W2G30	22-20AWG	0.34-0.50 mm ²	Gold 30μ"
SP24W2F	SS24W2F	26-24AWG	0.14-0.25 mm ²	Gold Flash
SP24W2G5	SS24W2G5	26-24AWG	0.14-0.25 mm ²	Gold 5μ"
SP24W2G10	SS24W2G10	26-24AWG	0.14-0.25 mm ²	Gold 10μ"
SP24W2G15	SS24W2G15	26-24AWG	0.14-0.25 mm ²	Gold 15μ"
SP24W2G30	SS24W2G30	26-24AWG	0.14-0.25 mm ²	Gold 30μ"
SP28W2F	SS28W2F	30-28AWG	0.05-0.08 mm ²	Gold Flash
SP28W2G5	SS28W2G5	30-28AWG	0.05-0.08 mm ²	Gold 5μ"
SP28W2G10	SS28W2G10	30-28AWG	0.05-0.08 mm ²	Gold 10μ"
SP28W2G15	SS28W2G15	30-28AWG	0.05-0.08 mm ²	Gold 15μ"
SP28W2G30	SS28W2G30	30-28AWG	0.05-0.08 mm ²	Gold 30μ"

Machined, Tooling	
Part Number	Description
QXRT20	Contact Extraction Tool, #20 (Ø 1.0) Contact
MFX-3959	Hand Crimp Tool for Machined Contacts
MFX-3960	Pneumatic Crimp Tool for Machined Contact

Stamped & Formed, Tooling	
Part Number	Description
QXRT20	Contact Extraction Tool, #20 (Ø 1.0) Contact
MFX-3958	Hand Tool, Stamped & Formed Contact, Size 20, 20-28AWG
MFX-3957	Crimp Die for Stamped & Formed Contact

Plating Options, All	
Symbol	Plating
T	Tin Plated (for Stamped & Formed Contacts)
S	Silver Plated 5Um (for Machined Contacts)
F	Gold Plated
G5	Gold Plated (Thickness 5μ")
G10	Gold Plated (Thickness 10μ")
G15	Gold Plated (Thickness 15μ")
G30	Gold Plated (Thickness 30μ")

Misc Tooling, All	
Part Number	Description
CA-4020-59	Sealing Plug, Size 16 & 20

Standard Quantity Order Options	
Machined	Bulk Package, 500 Pieces
Stamped & Formed	Reel, 3000 Pieces

ecomate® RM/RSSM/Aquarius™ - Contact Size 16 Options

Machined, Crimp Contacts				
Part Number		Contact Size (AWG)	Wire Range (mm ²)	Plating
Male	Female			
MP14M23F	MS14M23F	14AWG	2.0-2.5mm ²	Gold Flash
MP14M23G5	MS14M23G5	14AWG	2.0-2.5mm ²	Gold 5μ"
MP14M23G10	MS14M23G10	14AWG	2.0-2.5mm ²	Gold 10μ"
MP14M23G15	MS14M23G15	14AWG	2.0-2.5mm ²	Gold 15μ"
MP14M23G30	MS14M23G30	14AWG	2.0-2.5mm ²	Gold 30μ"
MP16M23F	MS16M23F	18-16AWG	0.75-1.5mm ²	Gold Flash
MP16M23G5	MS16M23G5	18-16AWG	0.75-1.5mm ²	Gold 5μ"
MP16M23G10	MS16M23G10	18-16AWG	0.75-1.5mm ²	Gold 10μ"
MP16M23G15	MS16M23G15	18-16AWG	0.75-1.5mm ²	Gold 15μ"
MP16M23G30	MS16M23G30	18-16AWG	0.75-1.5mm ²	Gold 30μ"
MP20M23F	MS20M23F	22-20AWG	0.34-0.50mm ²	Gold Flash
MP20M23G5	MS20M23G5	22-20AWG	0.34-0.50mm ²	Gold 5μ"
MP20M23G10	MS20M23G10	22-20AWG	0.34-0.50mm ²	Gold 10μ"
MP20M23G15	MS20M23G15	22-20AWG	0.34-0.50mm ²	Gold 15μ"
MP20M23G30	MS20M23G30	22-20AWG	0.34-0.50mm ²	Gold 30μ"
MP24M23F	MS24M23F	26-24AWG	0.14-0.25mm ²	Gold Flash
MP24M23G5	MS24M23G5	26-24AWG	0.14-0.25mm ²	Gold 5μ"
MP24M23G10	MS24M23G10	26-24AWG	0.14-0.25mm ²	Gold 10μ"
MP24M23G15	MS24M23G15	26-24AWG	0.14-0.25mm ²	Gold 15μ"
MP24M23G30	MS24M23G30	26-24AWG	0.14-0.25mm ²	Gold 30μ"

Stamped & Formed, Crimp Contacts				
Part Number		Contact Size (AWG)	Wire Range (mm ²)	Plating
Male	Female			
SP14M2F	SS14M2F	14AWG	2.0-2.5mm ²	Gold Flash
SP14M2G5	SS14M2G5	14AWG	2.0-2.5mm ²	Gold 5μ"
SP14M2G10	SS14M2G10	14AWG	2.0-2.5mm ²	Gold 10μ"
SP14M2G15	SS14M2G15	14AWG	2.0-2.5mm ²	Gold 15μ"
SP14M2G30	SS14M2G30	14AWG	2.0-2.5mm ²	Gold 30μ"
SP16M2F	SS16M2F	18-16AWG	0.75-1.5mm ²	Gold Flash
SP16M2G5	SS16M2G5	18-16AWG	0.75-1.5mm ²	Gold 5μ"
SP16M2G10	SS16M2G10	18-16AWG	0.75-1.5mm ²	Gold 10μ"
SP16M2G15	SS16M2G15	18-16AWG	0.75-1.5mm ²	Gold 15μ"
SP16M2G30	SS16M2G30	18-16AWG	0.75-1.5mm ²	Gold 30μ"
SP20M2F	SS20M2F	22-20AWG	0.34-0.50mm ²	Gold Flash
SP20M2G5	SS20M2G5	22-20AWG	0.34-0.50mm ²	Gold 5μ"
SP20M2G10	SS20M2G10	22-20AWG	0.34-0.50mm ²	Gold 10μ"
SP20M2G15	SS20M2G15	22-20AWG	0.34-0.50mm ²	Gold 15μ"
SP20M2G30	SS20M2G30	22-20AWG	0.34-0.50mm ²	Gold 30μ"
SP24M2F	SS24M2F	26-24AWG	0.14-0.25mm ²	Gold Flash
SP24M2G5	SS24M2G5	26-24AWG	0.14-0.25mm ²	Gold 5μ"
SP24M2G10	SS24M2G10	26-24AWG	0.14-0.25mm ²	Gold 10μ"
SP24M2G15	SS24M2G15	26-24AWG	0.14-0.25mm ²	Gold 15μ"
SP24M2G30	SS24M2G30	26-24AWG	0.14-0.25mm ²	Gold 30μ"

Machined, Tooling	
Part Number	Description
QXRT16	Contact Extraction Tool, #16 (Ø 1.6) Contact
MFY-3959	Hand Crimp Tool for Machined Contacts
MFY-3960	Pneumatic Crimp Tool for Machined Contact

Stamped & Formed, Tooling	
Part Number	Description
QXRT16	Contact Extraction Tool, #16 (Ø 1.6) Contact
MFY-3954	Hand Tool, Stamped & Formed Contact, Size 16, 20-14AWG
MFY-3957	Crimp Die, Stamped & Formed Contact

Plating Options, All	
Symbol	Plating
T	Tin Plated (for Stamped & Formed Contacts)
S	Silver Plated 5Um (for Machined Contacts)
F	Gold Plated
G5	Gold Plated (Thickness 5μ")
G10	Gold Plated (Thickness 10μ")
G15	Gold Plated (Thickness 15μ")
G30	Gold Plated (Thickness 30μ")

Misc Tooling, All	
Part Number	Description
CA-4020-59	Sealing Plug, Size 16 & 20

Standard Quantity Order Options	
Machined	Bulk Package, 500 Pieces
Stamped & Formed	Reel, 3000 Pieces

ecomate® RM/RSSM/Aquarius™ - Contact Size 12 Options

Machined, Crimp Contacts				
Part Number		Contact Size (AWG)	Wire Range (mm²)	Plating
Male	Female			
-	-	-	-	-

Machined, Tooling	
Part Number	Description
-	-
-	-

Plating Options, All	
Symbol	Plating
-	-

Stamped & Formed, Crimp Contacts				
Part Number		Contact Size (AWG)	Wire Range (mm²)	Plating
Male	Female			
SP12A1T	SS12A1T	14-12AWG	2.5-3.5mm²	Tin

Stamped & Formed, Tooling	
Part Number	Description
QXRT12S	Contact Extraction Tool, 2.5mm Contact
MFX-3962	Hand Tool, Stamped & Formed Contact, 2.5mm Contact

Misc Tooling, All	
Part Number	Description
CA-4012-59	Sealing Plug, Size 12

Standard Quantity Order Options	
Machined	-
Stamped & Formed	Reel, 1000 Pieces

ecomate® RM/RSSM/Aquarius™ - Contact Size 3.6mm Options (1403 Insert Arrangement)

Machined, Crimp Contacts					
Part Number		Contact Size (AWG)	Wire Range (mm²)	For Use w End Cap	Plating
Male	Female				
MP10A23T-10	MS10A23T-10	8AWG	10.0 mm²	No	Tin
MP10A23S-10	MS10A23S-10	8AWG	10.0 mm²	No	Silver
MP10A23F-10	MS10A23F-10	8AWG	10.0 mm²	No	Gold Flash
MP10A23G5-10	MS10A23G5-10	8AWG	10.0 mm²	No	Gold 5µ"
MP10A23G10-10	MS10A23G10-10	8AWG	10.0 mm²	No	Gold 10µ"
MP10A23G15-10	MS10A23G15-10	8AWG	10.0 mm²	No	Gold 15µ"
MP10A23G30-10	MS10A23G30-10	8AWG	10.0 mm²	No	Gold 30µ"
MP10A23S-63	MS10A23S-63	12-10AWG	4.0 - 6.0 mm²	No	Silver
MP10A23F-63	MS10A23F-63	12-10AWG	4.0 - 6.0 mm²	No	Gold Flash
MP10A23TL	MS10A23T	12-10AWG	3.0 - 6.0 mm²	Yes	Tin
MP10A23SL	MS10A23S	12-10AWG	3.0 - 6.0 mm²	Yes	Silver
MP10A23FL	MS10A23F	12-10AWG	3.0 - 6.0 mm²	Yes	Gold Flash
MP10A23G5L	MS10A23G5	12-10AWG	3.0 - 6.0 mm²	Yes	Gold 5µ"
MP10A23G10L	MS10A23G10	12-10AWG	3.0 - 6.0 mm²	Yes	Gold 10µ"
MP10A23G15L	MS10A23G15	12-10AWG	3.0 - 6.0 mm²	Yes	Gold 15µ"
MP10A23G30L	MS10A23G30	12-10AWG	3.0 - 6.0 mm²	Yes	Gold 30µ"
MP10A23S-25	MS10A23S-25	16-14AWG	1.5 - 2.5 mm²	No	Silver
MP10A23F-25	MS10A23F-25	16-14AWG	1.5 - 2.5 mm²	No	Gold Flash

Machined, Tooling	
Part Number	Description
QXRT08	Contact Extraction Tool, # 8 (Ø 3.6mm) Contact
M300BT	Hand Crimper
WA27-300BT-EP	Pneumatic Crimper
TP968	Locator M3200BT and WA27-300BT-EP

Plating Options	
Symbol	Plating
T	Tin Plated (for Stamped & Formed Contacts)
S	Silver Plated 5Um (for Machined Contacts)
F	Gold Plated
G5	Gold Plated (Thickness 5µ")
G10	Gold Plated (Thickness 10µ")
G15	Gold Plated (Thickness 15µ")
G30	Gold Plated (Thickness 30µ")