



## Machine Friction Disc Lock Washer Torque Limiter Coupling

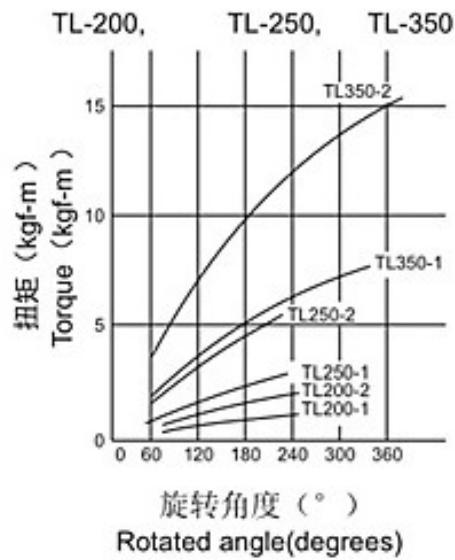
SKU:FIT0589

### *INTRODUCTION*

Torque limiter is a protective device that limits the torque transmitted in a drive system by slipping when the torque demand exceeds a preset value as a result of shock loads, overloads, or machine jams. It automatically re-engages when the overload is removed.

This model TL350-2 uses a spring-loaded friction surface to adjust the spring force with a nut or bolt to preset the sliding torque. It can be used as a center member with a sprocket, a gear sheave or a flange plate, sandwiched between the friction surfaces.

◇ 旋转角度与预设扭力 rotated angle and setting torque

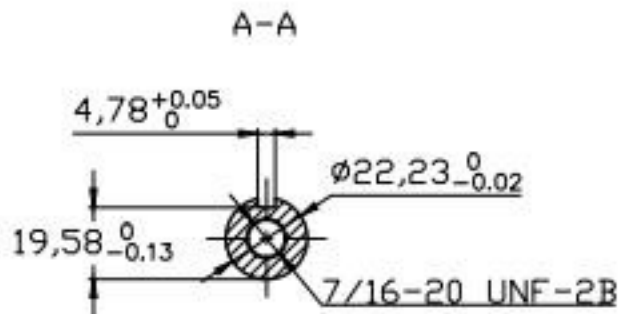


◇ TL200~TL700

Dimensions and Capacity for -TL200~TL700

尺寸: (mm)  
Dimensions in mm

型号 Model	扭矩范围 Torque Range (Nm)	最高转速 Max.speed unbalanced rpm	成品 内孔 Pilot Bore	最大 孔径 Max. Bore	衬环 长度 Bushing Length	衬环外径 O.D.of Bushing	中心元件 配合孔径 Bore for center Member	D	DH	L	I	T	t	S (max.)	A	C	质量 Mass (kg)	调节 螺栓 Adjust.Bolt
TL350-1	20~74	5600	17	25	6.0	49	49	89	M42	62	19	4.0	3.2	16	5	65	2.48	-
TL350-2	34~149																	



## *SPECIFICATION*

- Type: TL350-2 (With special keyway and inner hole)
- Inner hole diameter: 22.23mm
- Keyway width: 4.78mm
- Torque range: 34~149N\*m
- Maximum speed: 5600
- Weight: 2.48 kg
- Material: the main body is 45 steel, the friction plate is non-asbestos material

## *SHIPPING LIST*

- Machine Friction Disc Lock Washer Torque Limiter Coupling x1

