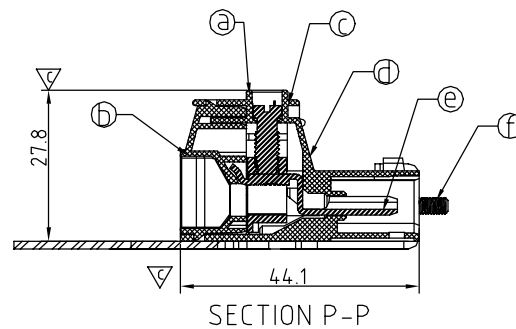
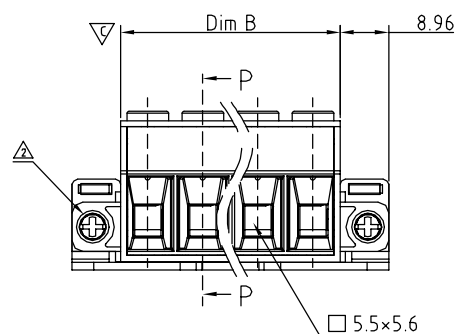
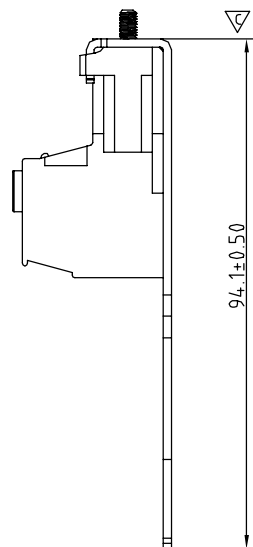
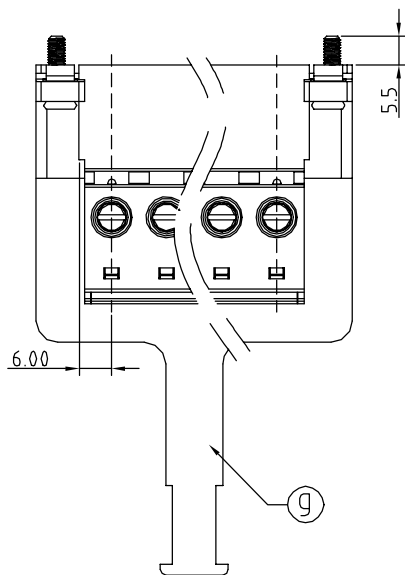


N= Number of poles

Dim A	$N \times 10.16 + 17.76$
Dim B	$N \times 10.16 - 0.16$
Dim C	$(N-1) \times 10.16 + 20.32$
Dim D	$(N-1) \times 10.16$

Poles	Tolerance
3P	±0.25
4P	



SIGN	DATE	DESCRIPTION	APPROVER
△	2010.06.07	Add cULus standard	Cheng Bo
△	2010.06.07	The flange screw is changed from "-" type to "+/-" type	Cheng Bo
△	2010.06.07	The Voltage rating is changed from 600VAC to 300VAC	Cheng Bo
△	2010.06.07	The material is changed from Brass to Copper	Cheng Bo
△	2011.07.04	Remove the "cULus" mark	Aaron
△	2011.12.15	Screw is changed from M4 to M4.5	Aaron

THIS IS CAD DRAWING, DO NOT REVISE MANUALLY!!!

Material

- Item a Terminal body: Thermoplastic (UL94V-0)
- Item b Terminal cover: Thermoplastic (UL94V-0)
- Item c Terminal screw: Steel Cr3+ Zinc plating "-" slot type
- Item d Clamp: Brass, Ni plated
- △ ● Item e Male contact pin: Copper Gold plated
- △ ● Item f With flange screw: Steel Zinc plating M3 "+/-" slot type
- Item g With flange shaft: Steel Zinc plating

Electrical cULus / IEC

- △ ● Voltage rating: 300VAC / 1000VAC
- Current rating: 55A / 76A
- Solid wire: 6-20 / 0.5-16mm²
- Stranded wire: 6-20 / 0.5-16mm²
- Torque: 18 Lb-In / 2.0 N.m
- △ ● Screw: M4.5
- Wire strip length: 13-14mm
- Withstanding Voltage: 1.6KV / 8KV
- Operating temperature: -40°C to +115°C
- △ ● Safety Approval:
- Critical dimension: ▽

PART NO. KK xx 61 x 2 xxxx G

No. OF POLES ———— G: Pb<40000ppm
 03 3 CONTACTS
 04 4 CONTACTS

Color
 0 Black (RAL9005)
 2 Red (RAL3001/D)
 3 Orange (RAL2011/P)
 4 Yellow (RAL1018/A)
 5 Green (RAL6018/T)
 6 Blue (RAL5015/A)
 8 Grey (RAL7035/D)

0000: "@ Logo (Standard)
 000A: "ANYTEK" Mark
 Any special item by customer request.
 please contact sales department.

ANYTEK				CUSTOMER COPY					
								<small>ALL RIGHTS RESERVED. REPRODUCTION OR ISSUE TO THIRD PARTIES IN ANY FORM WHATEVER IS NOT PERMITTED WITHOUT WRITTEN AUTHORITY FROM THE PROPRIETOR. PROPERTY OF ANYTEK TECHNOLOGY CO. LTD</small>	
TITLE		KK 10.16 Series 3p-4p Flange with Screw (with handle)							
PART NO.		KKxx61x2xxxxG			DWG NO.		8KK0003		
APPROVED		CHECKED		DESIGNED		DRAWN		CUST NO.	
				Aaron 2011.12.15		Cheng Bo 2010.06.07		Tolerance	
								UNIT: mm	
								X. ±0.50	
						SHEET: 01/01		X.X ±0.30	
						REV.: E		X.XX ±0.10	
								X° ±1°	