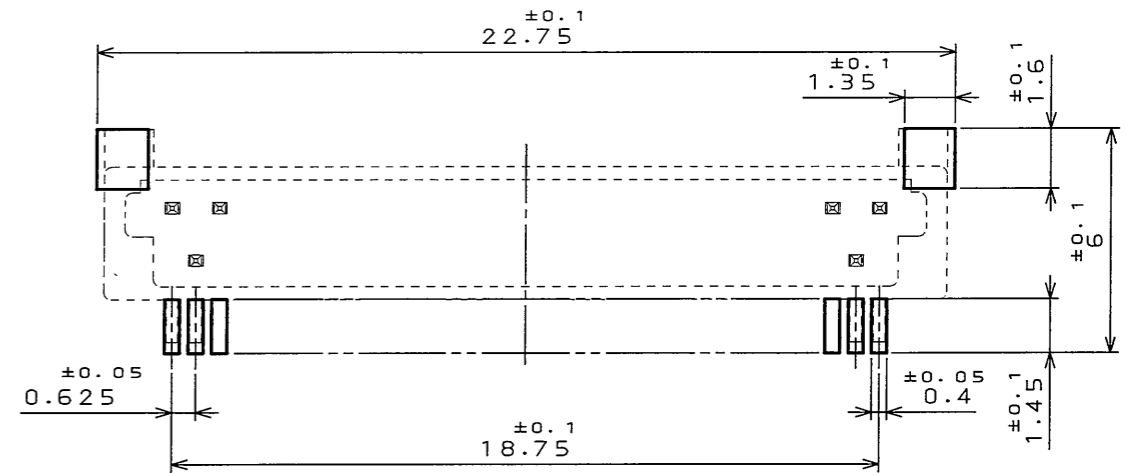
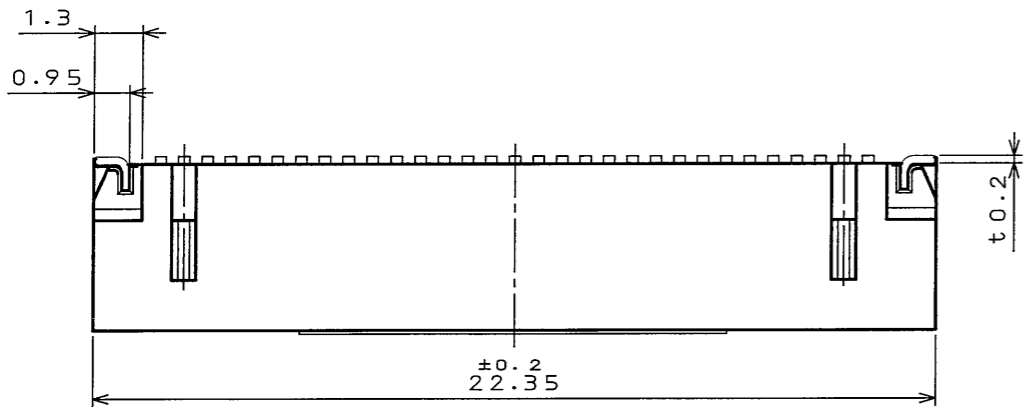


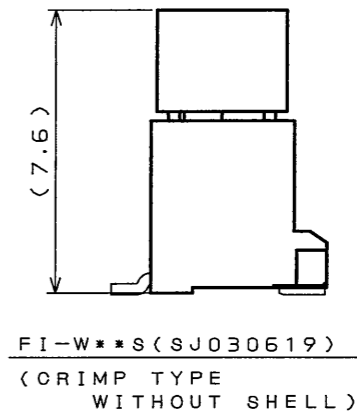
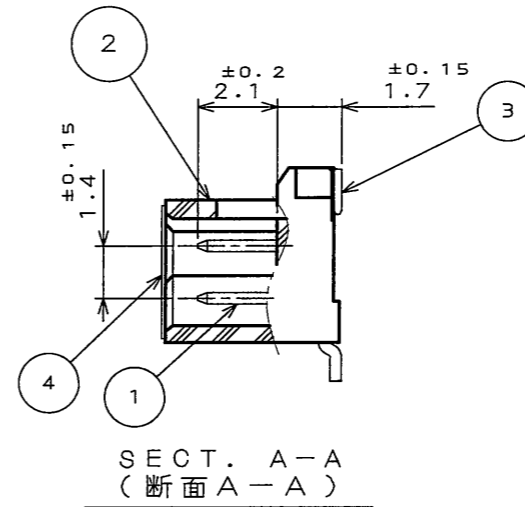
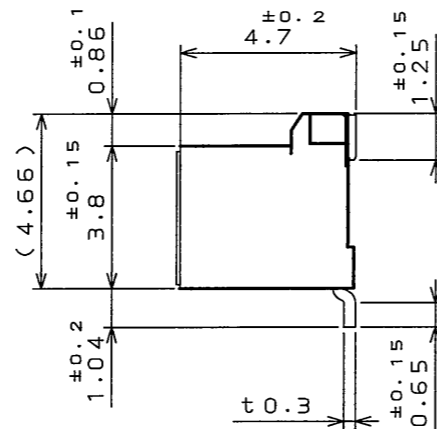
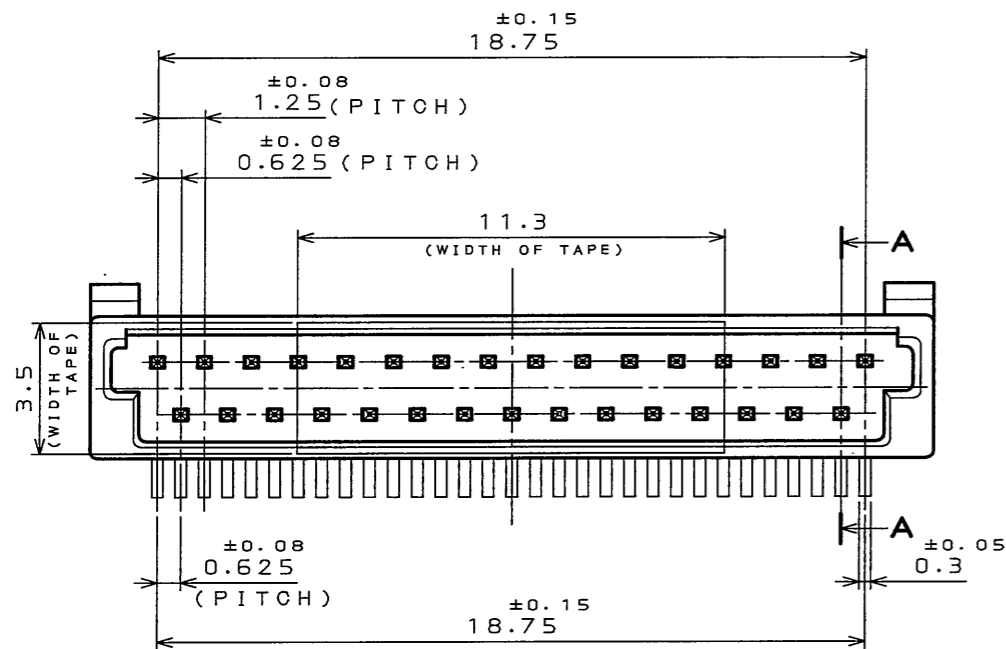
SJ100802

(ON DRAWING) (図面番号)

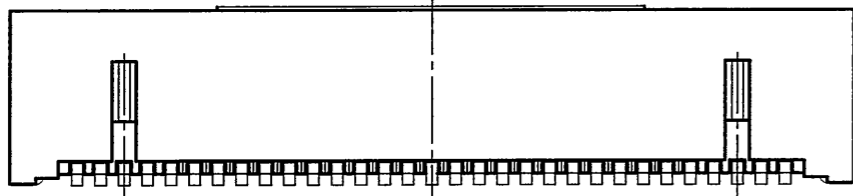
| 版数<br>REV. | 年月日<br>DATE | DCN NO. | 変更内容<br>DESCRIPTION | 製図<br>DR. | 担当<br>CHK. | 査閲<br>APPD. | 承認<br>APPD. |
|------------|-------------|---------|---------------------|-----------|------------|-------------|-------------|
|            |             |         |                     |           |            |             |             |
|            |             |         |                     |           |            |             |             |



APPLICABLE P.C.B. DIMENSION (REF.)  
適合基板寸法 (参考)



MATED CONDITION (REF.)  
嵌合状態図 (参考)



| 符号<br>NO. | 名称<br>DESCRIPTION            | 個数<br>QTY. | 材料<br>MATERIAL                 | 仕上<br>FINISH             | 備考<br>REMARKS |
|-----------|------------------------------|------------|--------------------------------|--------------------------|---------------|
| 4         | HEAT RESISTING TAPE<br>耐熱テープ | 1          | PI.<br>ポリイミド                   |                          | t0.05         |
| 3         | HOLD DOWN<br>ホルルト・ダウン        | 2          | COPPER ALLOY<br>銅合金            | TIN PLATING<br>スズ        |               |
| 2         | INSULATOR<br>インシュレータ         | 1          | GLASS FILLED 9TNY<br>ガラス入り9TNY |                          | UL94V-0 BLACK |
| 1         | CONTACT<br>コンタクト             | 31         | COPPER ALLOY<br>銅合金            | GOLD OVER NICKEL<br>NiAu |               |

|                          |             |                                   |  |                         |  |                              |  |                                   |  |
|--------------------------|-------------|-----------------------------------|--|-------------------------|--|------------------------------|--|-----------------------------------|--|
| 仕様書 (SPECIFICATION)      |             | 第1版 (ORIGINAL DATE)<br>4.Mar.2004 |  | 製図 (DRAWING)<br>H.YOKOO |  | 名称 (TITLE)<br>FI-TWA31PN-VFE |  | 製図 (DRAWING)<br>JAE-CONNECTOR.COM |  |
| 一般公差 (GENERAL TOLERANCE) |             | 担当 (CHECKER)<br>T.YAMAJI          |  | 製図 (DRAWING)<br>H.YOKOO |  | 製図 (DRAWING)<br>H.YOKOO      |  | 製図 (DRAWING)<br>H.YOKOO           |  |
| 寸法 (DIMENSION)           | 角度 (ANGLES) | 査閲 (APPROVED)<br>M. Suzuki        |  | 製図 (DRAWING)<br>H.YOKOO |  | 製図 (DRAWING)<br>H.YOKOO      |  | 製図 (DRAWING)<br>H.YOKOO           |  |
| . ±0.8                   | ×° ±        | 承認 (APPROVED)<br>Y. Ichijima      |  | 製図 (DRAWING)<br>H.YOKOO |  | 製図 (DRAWING)<br>H.YOKOO      |  | 製図 (DRAWING)<br>H.YOKOO           |  |
| .X ±0.4                  | ×× ±        | 製図 (DRAWING)<br>H.YOKOO           |  | 製図 (DRAWING)<br>H.YOKOO |  | 製図 (DRAWING)<br>H.YOKOO      |  | 製図 (DRAWING)<br>H.YOKOO           |  |
| .XX ±0.1                 | ××× ±       | 製図 (DRAWING)<br>H.YOKOO           |  | 製図 (DRAWING)<br>H.YOKOO |  | 製図 (DRAWING)<br>H.YOKOO      |  | 製図 (DRAWING)<br>H.YOKOO           |  |
| .XXX ±                   |             | 製図 (DRAWING)<br>H.YOKOO           |  | 製図 (DRAWING)<br>H.YOKOO |  | 製図 (DRAWING)<br>H.YOKOO      |  | 製図 (DRAWING)<br>H.YOKOO           |  |

DOF-0-212E(03.08)

LEAD FREE この製品は鉛フリー品です

JAE CONNECTOR DIV. PROPRIETARY.  
COPYRIGHT (C) 2004, JAPAN AVIATION ELECTRONICS INDUSTRY, LTD.



図面番号 (DRAWING NO.)

SJ100802

版数 (REV.)

1

