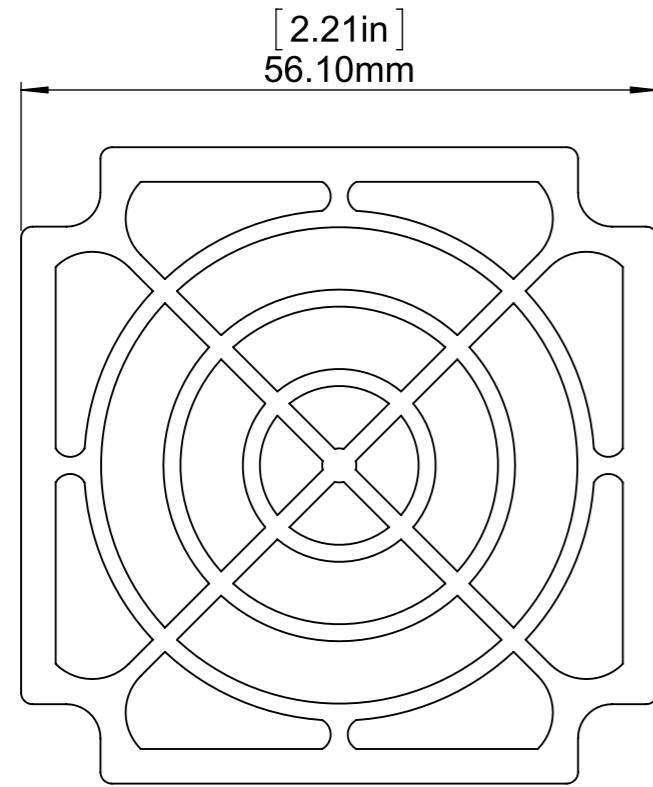
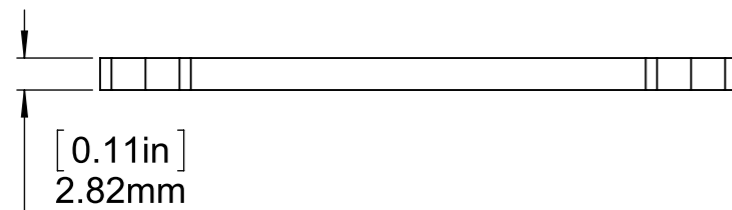


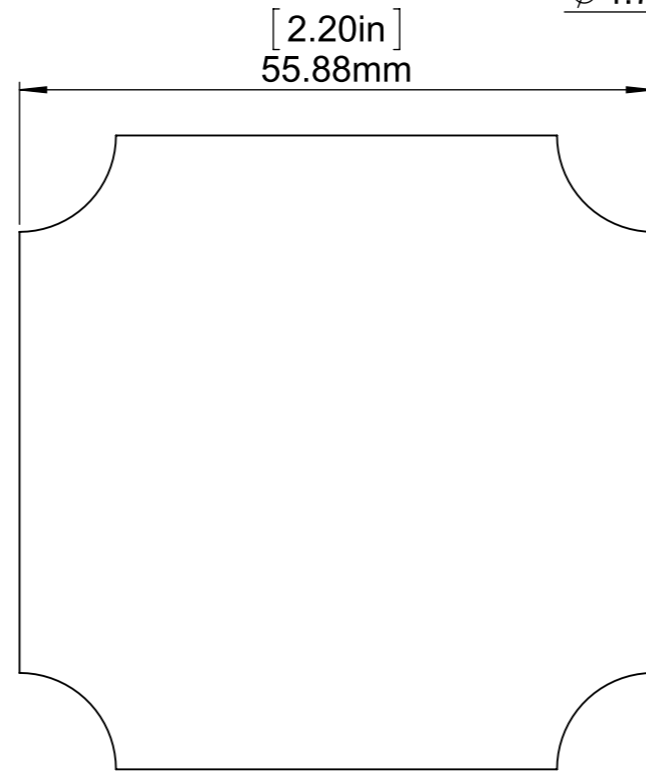
Retainer



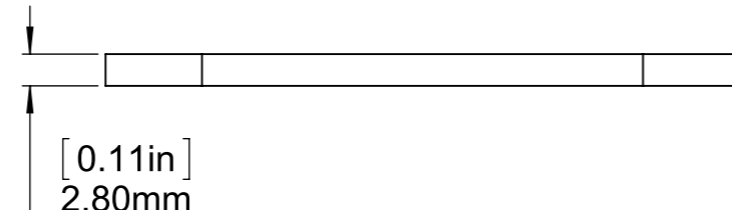
Sunon p/n: FG-6/45



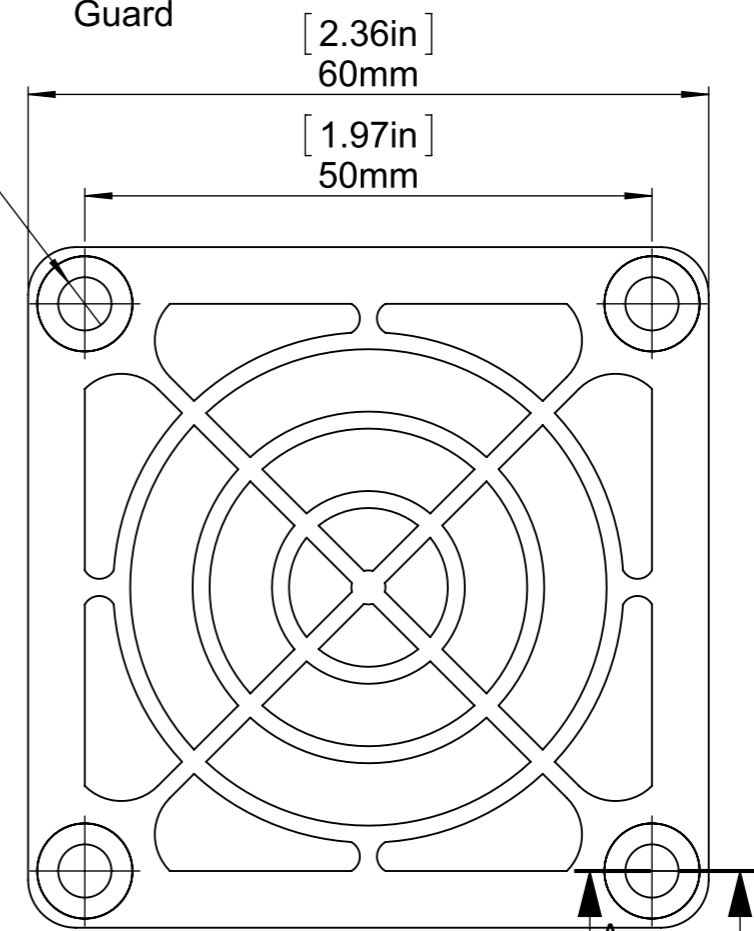
Filter



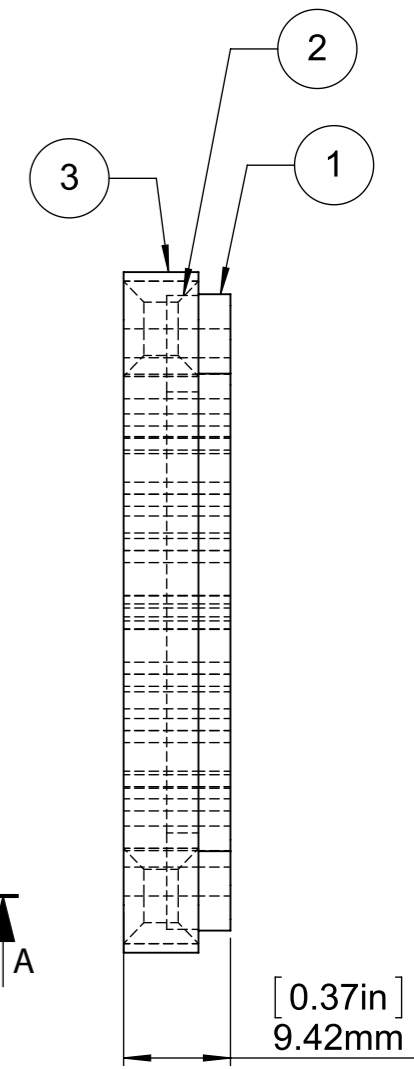
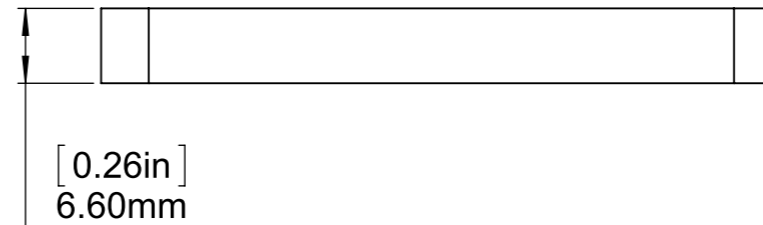
Sunon p/n: FG-6/45



Guard

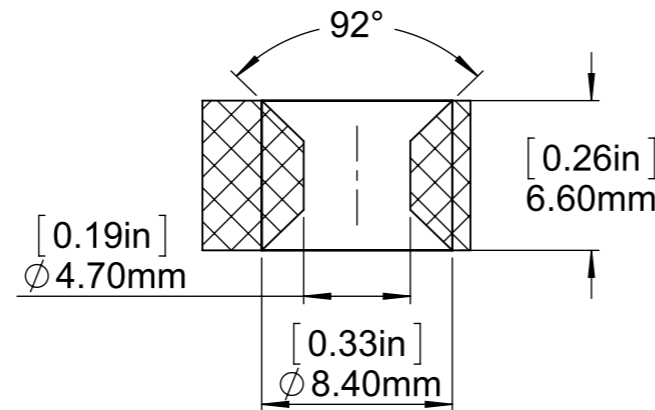
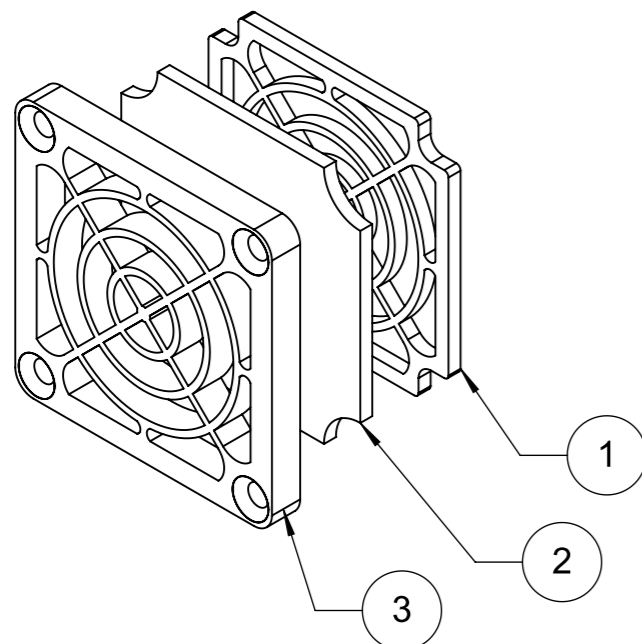


Sunon p/n: FG-6/45



NOTE: TOLERANCE: ±0.3MM

ITEM NO.	DESCRIPTION	MATERIAL	QTY.
1	RETAINER	Plastic UL94V-O	1
2	FILTER	Polyurethane Foam UL94HF-1 45PPI	1
3	GUARD	Plastic UL94V-O	1



SECTION A-A
SCALE 3:1

NAME	SIGNATURE	DATE
DRAWN HI-TECH		
CHK'D		
APPV'D		
MFG		
Q.A		
THICKNESS: SEE PART DETAIL		
MATERIAL: SEE PART DETAIL		
WEIGHT: 0.022kg		SCALE: 1.5:1

SUNON INC.	
TITLE: PLASTIC FAN ASSEMBLY	
ASSEMBLY NO. FG-6/45	A3 SHEET 1 OF 1