

## SUMMARY



Image is for illustrative purpose only

### # Wires

|                  |                                   |
|------------------|-----------------------------------|
| Coax             | 1                                 |
| Series           | 00                                |
| Termination type | Male solder                       |
| IP rating        | 50                                |
| AWG wire size    | 0.00 - 0.00                       |
| Cable Ø          | 2.80 - 3.10 mm                    |
| Status           | Obsolete                          |
| Alternative part | <a href="#">FFF.00.250.CTAC31</a> |
| Matching parts   | <a href="#">ERA.00.250.CTL</a>    |

### Download

- [Request a quote](#)
- [Catalog](#)

## TECHNICAL DETAILS

### Mechanics

|                   |   |
|-------------------|---|
| Shell Style/Model | FFF*: Straight plug, non-latching, with cable collet  |
| Keying            | Circular, male  |
| Housing Material  | Brass (chrome plated [SAE AMS 2460]) shell and collet nut, nickel plated [SAE AMS QQ N 290] brass latch sleeve and mid pieces |
| Weight            | 3.45 g  |

### Performance

|               |                          |
|---------------|--------------------------|
| Configuration | 00.250 : 1 Coax (50 Ohm) |
| Insulator     | T: PTFE                  |
| Rated Current | 4 Amps                   |

### Specifications

- Contact Type: Coaxial 50 Ohm (Solder)
- Contact Dia.: 0.7 mm (0.028in)
- Bucket Dia.: 0.6 mm (0.024in)
- Test voltage: 2.1 kV (rms)
- R (max): 6.1 mOhm
- Vtest: 2100 V (AC), 3000 V (DC)
- 
- Impedance: 50 Ohm

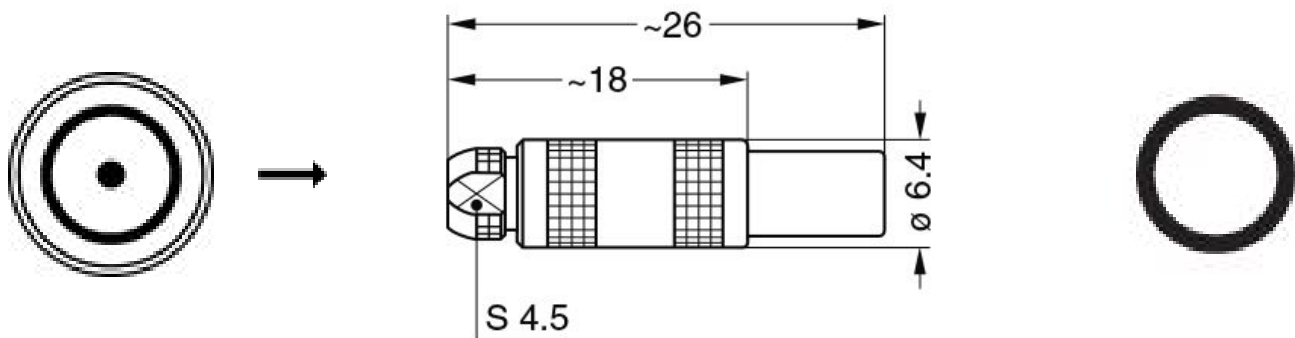
LEMO products and services are provided "as is". LEMO makes no warranties or representations with regard to LEMO product & services or use of them, express, implied or statutory, including for accuracy, completeness, or security. The user is fully responsible for his products and applications using LEMO components.

VSWR:  $1.09 + 0.11 * f/\text{GHz}$   
Cable type: RG 316 /U

## Others

Endurance (Shell): 5000 mating cycles  
F ret (min): 100 N  
Salt Spray Corrosion: >1000 hr

## DRAWINGS



## Dimensions

|     | A    | L    | M    |
|-----|------|------|------|
| mm. | 6.4  | 26   | 18   |
| in. | 0,25 | 1,02 | 0,71 |


## RECOMMENDED BY LEMO

### Tools

### Cables

|       |     |       |  |
|-------|-----|-------|--|
| 17420 | PVC | Black |  |
|-------|-----|-------|--|

LEMO products and services are provided "as is". LEMO makes no warranties or representations with regard to LEMO product & services or use of them, express, implied or statutory, including for accuracy, completeness, or security. The user is fully responsible for his products and applications using LEMO components.

|                    |      |       |  |
|--------------------|------|-------|--|
| 31600              | PTFE | Brown |  |
| CCX.50.RG1.74AU28N | PVC  | Black |  |
| CCX.50.RG1.74AU28N | PVC  | Black |  |
| CCX.50.RG3.16U28M  | PTFE | Brown |  |

*LEMO products and services are provided "as is". LEMO makes no warranties or representations with regard to LEMO product & services or use of them, express, implied or statutory, including for accuracy, completeness, or security. The user is fully responsible for his products and applications using LEMO components.*