

## SUMMARY

### # Wires

Triax	1
Series	00
Termination type	Male solder
IP rating	50
AWG wire size	0.00 - 0.00
Cable Ø	1.70 - 2.10 mm
Status	Active
Matching parts	<a href="#">ERN.00.650.GLL</a>



Image is for illustrative purpose only

### Download

- [Request a quote](#)
- [Catalog](#)

## TECHNICAL DETAILS

### Mechanics

Shell Style/Model	FFC*: Straight plug with flats on latch sleeve and cable collet, black POM (Delrin®) outershell)
Keying	Circular, male
Housing Material	PEEK (Polyetheretherketone) shell and collet nut, nickel plated [SAE AMS QQ N 290] brass latch sleeve and mid pieces
Variant	Z : Nut for fitting a bend relief
Weight	2.70 g

### Performance

Configuration	00.650 : 1 Triax (50 Ohm)
Insulator	L: PEEK (UL 94 / V-0/1.5)
Rated Current	3 Amps

### Specifications

Contact Type: Triaxial 50 Ohm (Solder)  
Contact Dia.: 0.5 mm (0.02" in)  
Vtest: 1200 V (AC), 1700 V (DC)  
Impedance: 50 Ohm  
VSWR: 1.1 + 0.11 \* f /GHz

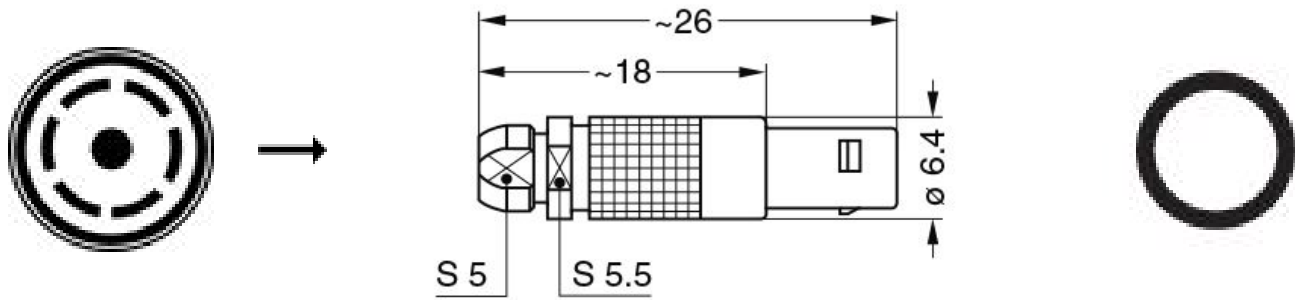
LEMO products and services are provided "as is". LEMO makes no warranties or representations with regard to LEMO product & services or use of them, express, implied or statutory, including for accuracy, completeness, or security. The user is fully responsible for his products and applications using LEMO components.

## Others

Endurance (Shell): 5000 mating cycles

---

## DRAWINGS



---

## RECOMMENDED BY LEMO

### Tools

Spanner wrench: [DCD.00.ZZZ.PA050](#)

*LEMO products and services are provided "as is". LEMO makes no warranties or representations with regard to LEMO product & services or use of them, express, implied or statutory, including for accuracy, completeness, or security. The user is fully responsible for his products and applications using LEMO components.*