

SUMMARY



Image is for illustrative purpose only

Wires

Coax 1

Series 4S
Termination type Male solder Coaxial
IP rating 50
AWG wire size 0.00 - 0.00
Cable Ø 9.10 - 10.00 mm
Status Active
Matching parts [ERA.4S.250.CTL](#)

Download

[Request a quote](#)
[Catalog](#)

TECHNICAL DETAILS

Mechanics

Shell Style/Model FFA*: Straight plug, cable collet
Keying Circular, male
Housing Material Brass (chrome plated [SAE AMS 2460]) shell and collet nut, nickel plated [SAE AMS QQ N 290] brass latch sleeve and mid pieces
Weight 144.27 g

Performance

Configuration 4S.250 : 1 Coax (50 Ohm)
Insulator T: PTFE
Rated Current 36 Amps

Specifications

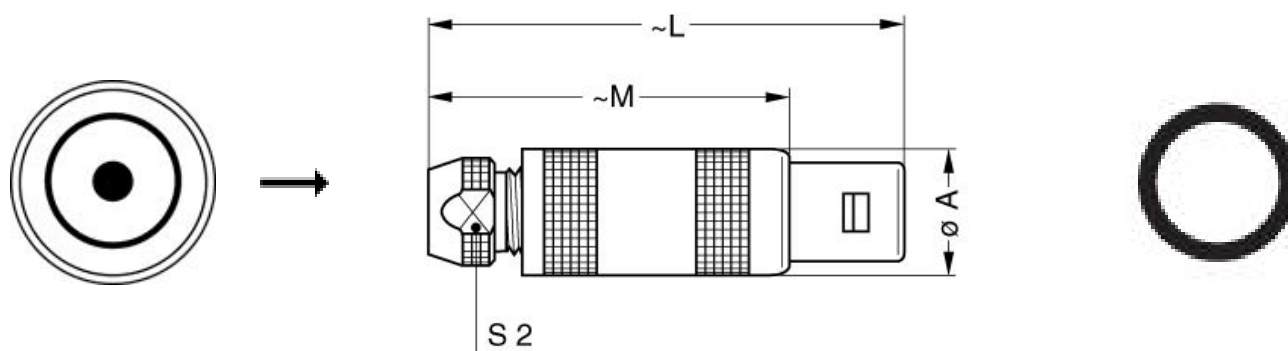
Contact Type: Coaxial 50 Ohm (Solder)
Contact Dia.: 4 mm (0.157in)
Bucket Dia.: 3.7 mm (0.146in)
Vtest: 2100 V (AC), 3000 V (DC)
Impedance: 50 Ohm
VSWR: 1.01 + 1.9 * f/GHz
Cable type: RG 214 /U, RG 216 /U, RG 225 /U, RG 225 /U, RG 213/U, RG 115 A/U, RG 11 A/U, RG 144/U, RG 165 /U

LEMO products and services are provided "as is". LEMO makes no warranties or representations with regard to LEMO product & services or use of them, express, implied or statutory, including for accuracy, completeness, or security. The user is fully responsible for his products and applications using LEMO components.

Others

Endurance (Shell): 5000 mating cycles
Temp (min / max): -55 °C / +250 °C
Humidity (max): <=95% [at 60 deg C / 140 F]
Vibration: 15 g [10 Hz - 2000 Hz]
Shock Resistance: 100 g [6 ms]
Climatical Category: 50/175/21
Shielding (min): 75 dB (10 MHz)
Shielding (min): 40 dB (1 GHz)
Salt Spray Corrosion: >144 hr

DRAWINGS



Dimensions

	A	L	M	S2
mm.	24.8	77	59	19
in.	0,98	3,03	2,32	0,75

RECOMMENDED BY LEMO

Tools

Caps: [BFA.4S.100.NAS](#)

LEMO products and services are provided "as is". LEMO makes no warranties or representations with regard to LEMO product & services or use of them, express, implied or statutory, including for accuracy, completeness, or security. The user is fully responsible for his products and applications using LEMO components.

LEMO products and services are provided "as is". LEMO makes no warranties or representations with regard to LEMO product & services or use of them, express, implied or statutory, including for accuracy, completeness, or security. The user is fully responsible for his products and applications using LEMO components.