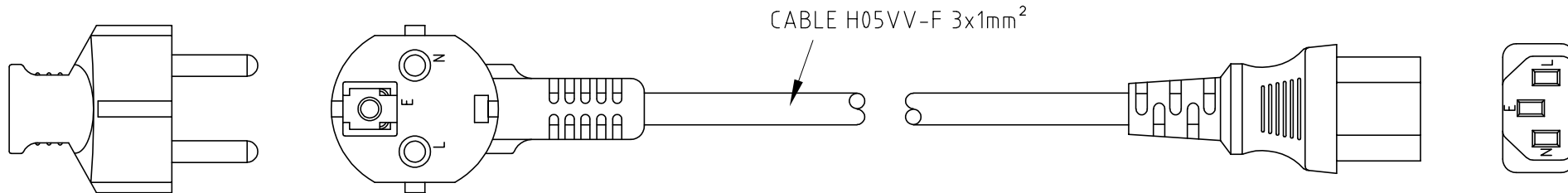
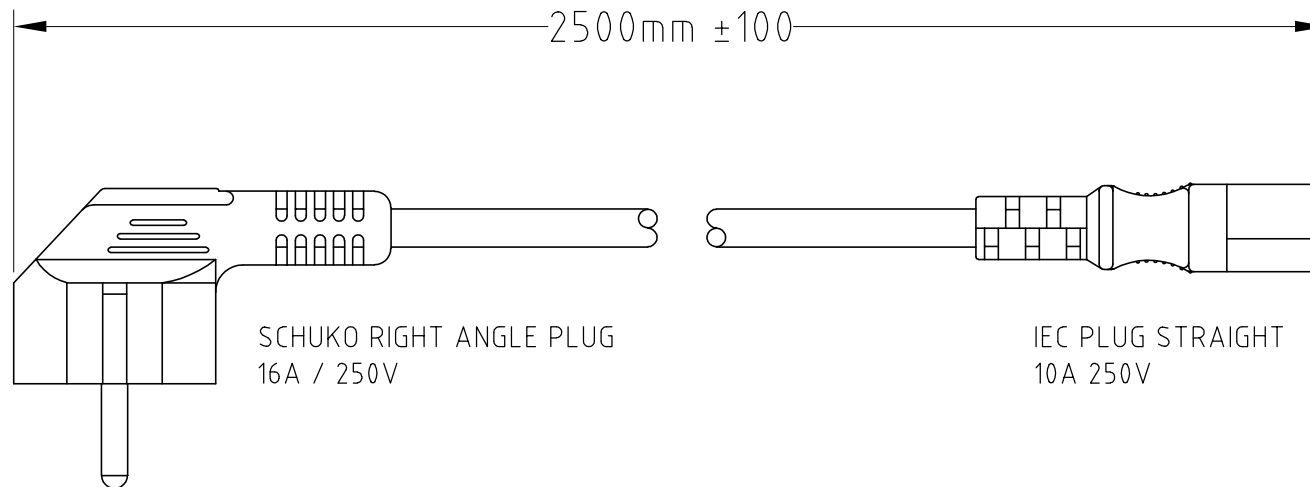


ISS.	AMEND	DATE
1	ISSUED	31/01/20



NOTES:

1. PLUGS AND CABLE COLOUR BLACK
2. RATED: 10A 250VAC
3. SUPPLIED INDIVIDUALLY HANKED.

**RoHS**  
COMPLIANT

**TOLERANCE**  
 NO DEC. PLACE ±  
 1 DEC. PLACE ±  
 2 DEC. PLACE ±  
 HOLE Ø ±  
 ANGLES ±  
 UNLESS OTHERWISE STATED

**Cliff Electronic Components Ltd.**

76 Holmethorpe Avenue, Holmethorpe Industrial Estate,  
 Redhill, Surrey, RH1 2PF, England, UK  
 Tel: 01737-771375 Fax: 01737-766012 Website: www.cliffuk.co.uk

DIMENSIONS IN MILLIMETERS UNLESS OTHERWISE STATED. WORK TO DIMENSIONS. REMOVE ALL BURRS. IF IN DOUBT ASK.

3rd ANGLE PROJECTION:

DO NOT SCALE

MATERIAL: COMPOSITE

TITLE: RA SCHUKO TO IEC 2.5m BLACK

FINISH: CLEAN - BLACK

DRWG. No. **FCR72041**

FORM: A4DRWGH

THE CONTENTS OF THIS DOCUMENT MUST NOT BE COPIED OR DISCLOSED TO A 3rd PARTY WITHOUT WRITTEN PERMISSION OF CLIFF UK. © 2020

DRAWN: T.J.O.

APPROVED: D.P.J.