

- 1
- 2
- 3
- 4
- 5
- 6
- 7
- 8
- 9
- 10
- 11
- 12
- 13
- 14
- 15
- 16
- 17
- 18

**STANDARD EXECUTIONS**

Polyamide based (PA) technopolymer connector with housing and contact holder.

- **FC-M12x1-P4**: 4 pole M12x1 female axial connector. Cable with sheath in PVC CEI 2022, black colour. Nickel-plated brass nut.
- **FC-M12x1-P8**: 8 pole M12x1 female axial connector. Cable with sheath in PVC, black colour, UL/CSA STYLE type. AISI 316 stainless steel nut.

**COMPATIBILITY**

- Electromechanical products with 4 and 8 pole male connector output.
- Hinges with built-in safety switch CFSQ (see page 964).
  - Hinges with built-in safety multiple switch CFSW (see page 968).
  - Handle with monostable electrical switch EBR-SWM (see page 298).
  - Handle with bistable electrical switch EBR-SWB (see page 298).

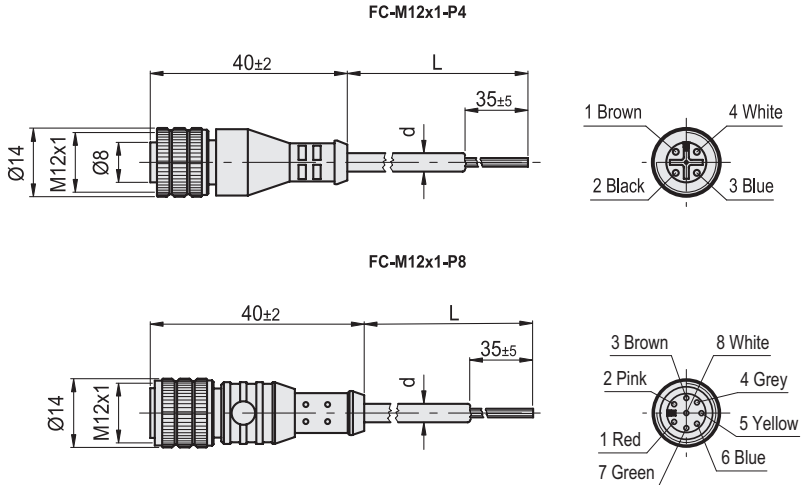
**SPECIAL EXECUTIONS ON REQUEST**

Extensions with cables in different lengths.



Connector	FC-M12x1-P4	FC-M-12x1-P8
Conductors cross-section	4x0.34mm <sup>2</sup>	8x0.33mm <sup>2</sup>
Maximum applicable voltage	250V	30V
Maximum current	4A	2A
Isolation resistance	≥100Ω 500VDC	≥100Ω 500VDC
Working temperature	-25°C, +70°C	-15°C, +70°C
Protection class	IP67 *	IP67 *

\* With the connector properly screwed



Conversion Table	
1 mm = 0.039 inch	
d	
mm	inch
5	0.20
7.2	0.30

**FC-M12x1-P4**

Code	Description	L	d	⚖
426502	FC-M12x1-P4-2.5	2500	5	210
426505	FC-M12x1-P4-5.0	5000	5	300
426510	FC-M12x1-P4-10.0	10000	5	400

**FC-M12x1-P8**

Code	Description	L	d	⚖
426503	FC-M12x1-P8-2.5	2500	7.2	210
426506	FC-M12x1-P8-5.0	5000	7.2	300
426511	FC-M12x1-P8-10.0	10000	7.2	400