

SUMMARY



Image is for illustrative purpose only

Wires

Triax 1

Series 4E
Termination type Male solder
IP rating 66
AWG wire size 0.00 - 0.00
Cable Ø 0.00 - 0.00 mm
Status active
Matching parts [EHN.4E.675.CTL](#)

Download

[Request a quote](#)
[Catalog](#)

TECHNICAL DETAILS

Mechanics

Shell Style/Model FBE*: Fixed plug with round flange and tag, nut fixing
Keying Circular, male
Housing Material Brass (chrome plated [SAE AMS 2460]) shell, collet nut and latch sleeve, nickel plated [SAE AMS QQ N 290] brass mid pieces
Weight 179.02 g

Performance

Configuration 4E.675 : 1 Triax (75 Ohm)
Insulator T: PTFE
Rated Current 15 Amps

Specifications

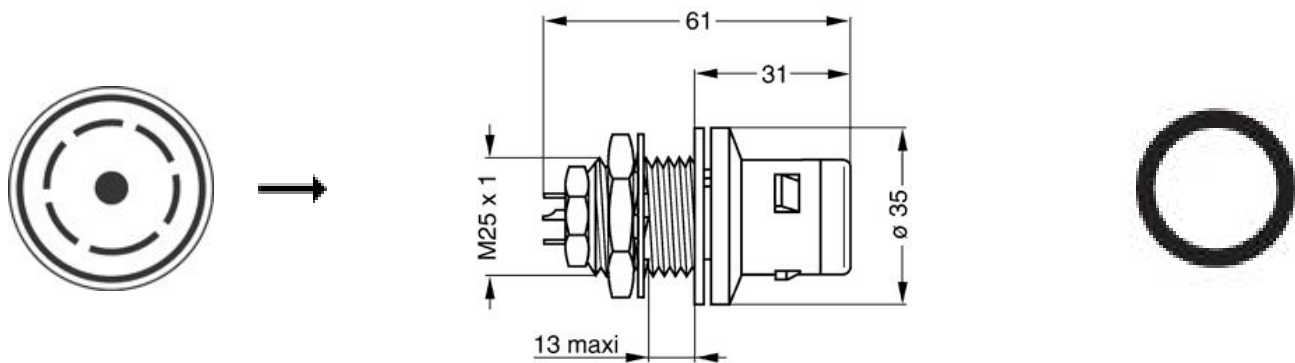
Contact Type: Solder
Vtest: 1500 V (AC), 2120 V (DC)
Impedance: 75 Ohm
VSWR: 1.01 + 0.14 * f/GHz
Cable type: Belden 8215,8232A,HF-2426,Triax 8 Nokia,375 029 LEDE, Belden 9267,8233A, Triax 11 Nokia,466 140 LEDE

Others

LEMO products and services are provided "as is". LEMO makes no warranties or representations with regard to LEMO product & services or use of them, express, implied or statutory, including for accuracy, completeness, or security. The user is fully responsible for his products and applications using LEMO components.

Endurance (Shell): 5000 mating cycles
 Temp (min / max): -55°C / +200°C
 Humidity (max): <=95% [at 60 deg C / 140 F]
 Vibration: 15 g [10 Hz - 2000 Hz]
 Shock Resistance: 100 g [6 ms]
 Climatical Category: 55/175/21
 Shielding (min): 85 dB (10 MHz)
 F ret (min): 90 N
 Salt Spray Corrosion: >1000 hr

DRAWINGS



Dimensions

	A	L	e
mm.	35	61	M25x1.0
in.	1,38	2,40	

RECOMMENDED BY LEMO

Tools

Spanner wrench: [DCD.4E.ZZZ.PA190](#)

LEMO products and services are provided "as is". LEMO makes no warranties or representations with regard to LEMO product & services or use of them, express, implied or statutory, including for accuracy, completeness, or security. The user is fully responsible for his products and applications using LEMO components.

LEMO products and services are provided "as is". LEMO makes no warranties or representations with regard to LEMO product & services or use of them, express, implied or statutory, including for accuracy, completeness, or security. The user is fully responsible for his products and applications using LEMO components.