

## SUMMARY



Image is for illustrative purpose only

### # Wires

Triax 1

Series	4M
Termination type	Female solder
IP rating	66 mated (mating interface)
AWG wire size	0.00 - 0.00
Cable Ø	0.00 - 0.00 mm
Status	Obsolete
Matching parts	<a href="#">PHG.4M.650.CTAC11</a>

### Download

[Request a quote](#)

[Catalog](#)

## TECHNICAL DETAILS

### Mechanics

Shell Style/Model	FBD*: Fixed plug with round flange (screw fixing)
Keying	1 key (alpha=0; plug: male contacts, receptacle: female contacts)
Housing Material	Brass (chrome plated [SAE AMS 2460]) shell and collet nut, nickel plated [SAE AMS QQ N 290] brass latch sleeve and mid pieces
Weight	235.63 g

### Performance

Configuration	4M.650 : 1 Triax (50 Ohm)
Insulator	T: PTFE
Rated Current	26 Amps

### Specifications

Contact Type: Triaxial 50 Ohm (Solder)  
Vtest: 1800 V (AC), 2540 V (DC)  
Impedance: 50 Ohm

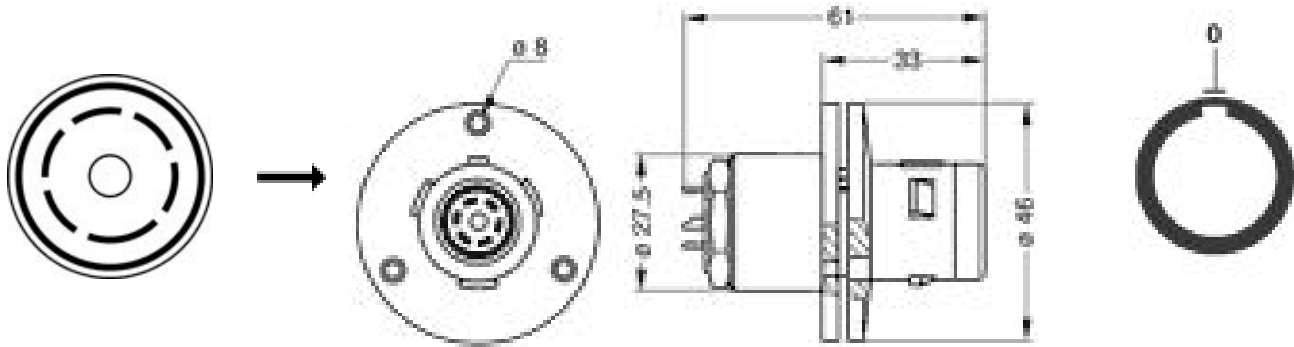
### Others

Humidity (max): <=95% [at 60 deg C / 140 F]  
Vibration: 15 g [10 Hz - 2000 Hz]

LEMO products and services are provided "as is". LEMO makes no warranties or representations with regard to LEMO product & services or use of them, express, implied or statutory, including for accuracy, completeness, or security. The user is fully responsible for his products and applications using LEMO components.

Shock Resistance: 100 g [ 6 ms]  
Climatical Category: 55/175/21  
Shielding (min): 85 dB (10 MHz)  
Salt Spray Corrosion: >1000 hr

## DRAWINGS



### Dimensions

	A	B	L	M
mm.	46	27.5	61	33
in.	1,81	1,08	2,40	1,30

## RECOMMENDED BY LEMO

### Tools

LEMO products and services are provided "as is". LEMO makes no warranties or representations with regard to LEMO product & services or use of them, express, implied or statutory, including for accuracy, completeness, or security. The user is fully responsible for his products and applications using LEMO components.