



MADE
IN THE USA

Product Description:

- Face Mask Dispenser - Shield
- Holds one box of face shields
- Keyholes for wall mounting
- White Powder-Coated Steel

Primary Area for Product Usage:

- Anywhere face masks are needed

Dispenses:

- Box(es) no larger than 9.00"W x 9.50"H x 4.00"D (22.9 cm x 24.1 cm x 10.2 cm)
- Box(es) no smaller than 8.75"W x 5.50"H x 3.75"D (22.2 cm x 14.0 cm x 9.5 cm)

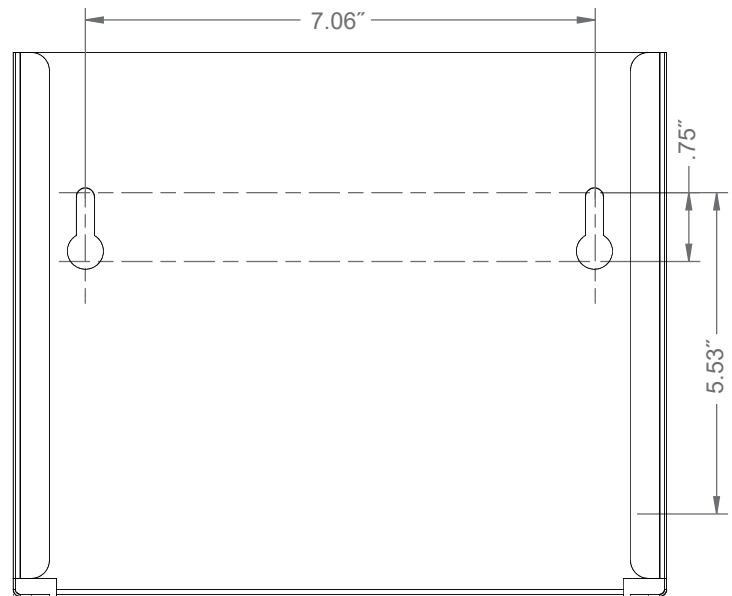
Package Specifications:

- Package Qty 12 per case
- 16"W x 12"H x 12"D (40.6 cm x 30.5 cm x 30.5 cm)
- 17.0 lbs (7.7 kg) - approximated

Product Specifications (overall external dimensions):

- 9.06"W x 7.53"H x 4.06"D (23.0 cm x 19.1 cm x 10.3 cm)
- 1.2 lbs (0.5 kg) - approximated

Mounting Specifications:



Related Products (each sold separately):

- FB-021: Face Mask Dispenser - Tie (shown below)
- FB-037: Face Mask Dispenser - Earloop

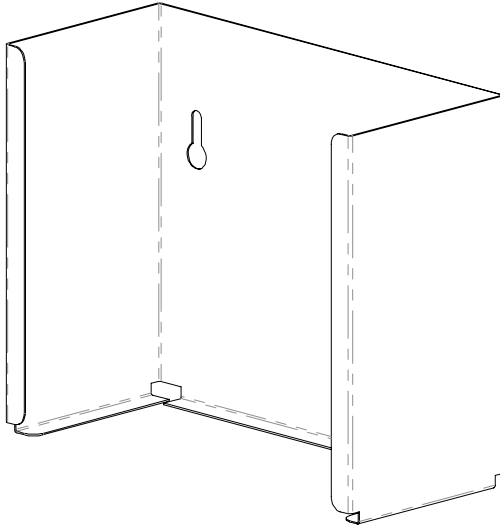




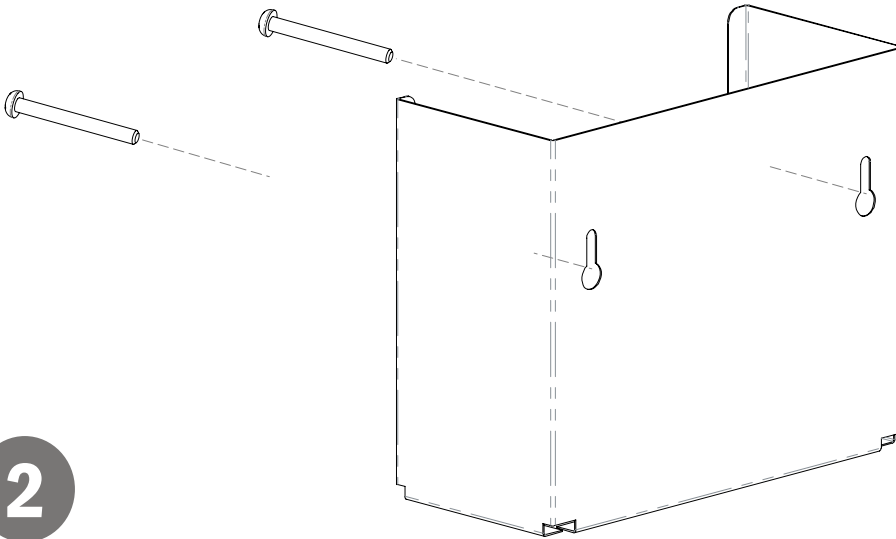
Installation

Always mount dispensers securely *prior* to loading with product.

- Custom fit sizing with short flanges means there is maximum exposure of the box.
- Boxes may dispense from the top or front as fit provides.



- Dispenser can be mounted onto a BOWMAN® door or wall hanger through the cutout in the back.



Parts included:

- Dispenser

Tools Required:

- No tools required to assemble dispenser

Care and Construction

Powder-Coated Steel

Material Characteristics

Designed for Long-Term, Heavy-Duty Applications

Dispensers and stands made of powder coated steel are both attractive and functional, providing years of service. Our powder coated steel dispensers and stands provide long-lasting products that hold up well in tough environments.

Powder coated steel is ideal for dispensers used in a healthcare or an industrial setting. It is impact resistant and is not effected by extremes in temperature.

Care and Cleaning

The powder coated finish resists common chemicals and cleaning agents and can be easily wiped clean with soap and water.