



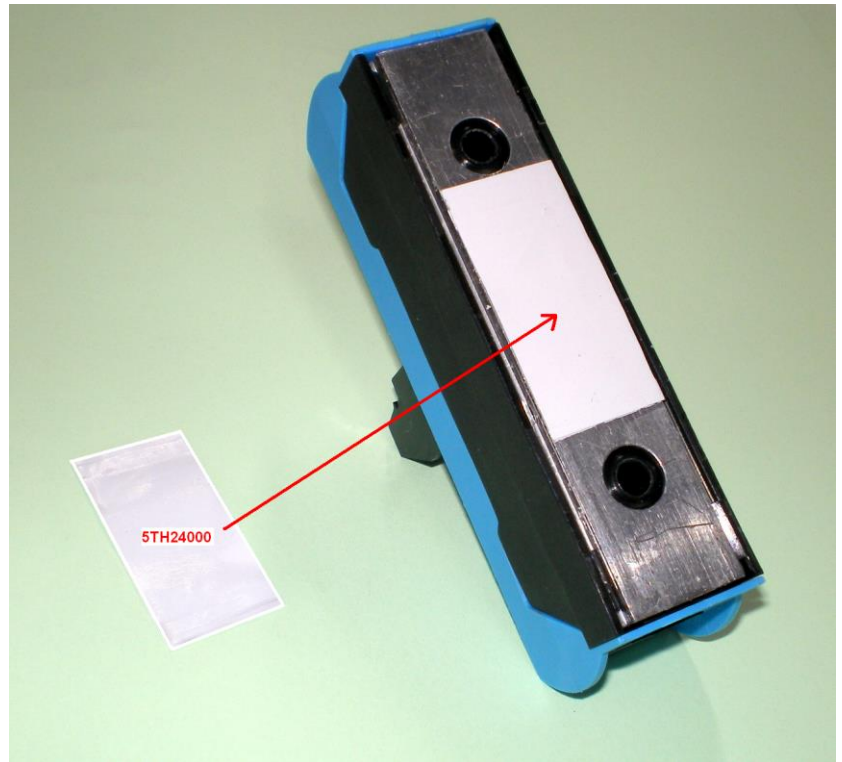
THERMAL Pads
For SA, SU relays
Low thermal resistance
Easy to use
5TH24000- 1LWP2400

For an efficient cooling of power components, it is usual to apply a thermally conducting media, such as thermal grease, between the power element and the heatsink.

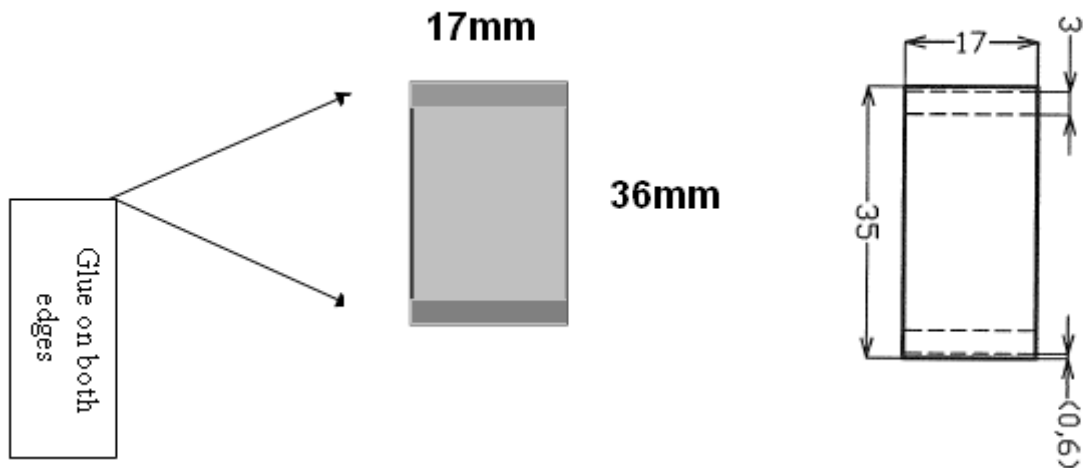
Thermal grease is considered problematic due to difficulties in applying it to the heat-dissipating surface and also performances in the life of the product.

An alternative, **celduc** tested a range of products and compared their thermal resistance characteristics (Rth c/h : Thermal Resistance between case to heatsink)

celduc recommends Aluminium materials thermal pads with very good thermal performances and no modification in the long term. (See comparison tests on last page):



These thermal PAD with very good thermal conduction have also an electrical conduction. So all the mechanical parts stay connected to the earth. With some silicone thermal PAD the earth conduction is not achieved





We can deliver the SSR with the 5TH24000 thermal PAD already mounted.

For all SA-SU range we can ask for the option “with thermal PAD 5TH24000 mounted on the SSR”: 1LWP2400

**When you order your SSR, add the option 1LWP2400
The SSR will be delivered with the thermal PAD.**

celduc thermal pads performances :

5THxxxx thermal PAD is a thermally conductive phase change material coated on both sides of aluminium foil. At temperatures greater than 52°C, 5THxxxx changes into a molten state and, under low closure force, wets the heat sink and component surfaces to create a very thin, low thermal resistance interface. 5THxxxx has great heat spreading characteristics and won't flow from the interface. 5THxxxx has superior thermal performance comparable to the highest performing grease and phase change products available.

Typical Properties

Colour	Gray
Thickness	0.003" (0.076mm)
Standard Coating Thickness per side	0.0005" (0.013mm)
Density	2.1 g/cc
Shelf Life	Indefinite
UL Flammability Rating	94 V0
Maximum Use Temperature	200°C
Phase Change Softening Temperature	52°C
Thermal Impedance	
@ 5 psi	0.03 °C-in ² /W
@ 34.5 Kpa	0.193 °C-cm ² /W

With the 5TH24000 adhesive thermal PAD, as glue is only on the edges, there is no incidence in terms of thermal performances.



Delivered in roll:

